

REV. B	SHEET 1 OF 2	91-643865-AFP
REVISIONS M		
LTR	DESCRIPTION	DATE
A	INITIAL RELEASE	



WIRE WELL DATA		
CONTACT SIZE	12	16
WELL DIA	.098 <sup>+.004</sup> <sub>-.001</sub>	.063 <sup>+.004</sup> <sub>-.001</sub>
WELL DEPTH <sup>+.031</sup> <sub>-.000</sub>	.250	.250

91-643865-AFP

SHEET 1 OF 2

REV. B

B

6. PACKAGE PER PRODUCTION PROCESS SHEET.
5. SEE WORK ORDER FOR PERMISSIBLE ADDITIONAL OR ALTERNATE STAMPING.
4. PROCESS SPEC.  
9-3856-5, 9-3895, 9-2437
3. INSERT IS NOT REMOVABLE.
2. DRAWING ILLUSTRATES FINAL ASSEMBLY. FOR STORAGE AND SHIPPING. ADAPTER MUST BE LOOSELY COUPLED. CONTACTS ARE NOT PART OF THIS ASSEMBLY AND MUST BE PURCHASED SEPARATELY.
1. UNIT MEETS THE APPLICABLE REQUIREMENTS OF SAE AS50151.

NOTES:

THE USE OF THIS DOCUMENT IS UNLIMITED. HOWEVER, DOCUMENTS REFERENCED HEREON MAY CONTAIN LIMITED RIGHTS DATA.

RELEASED / Dec. 02 2019, 1:34:35 PM

91-643865-AFP

SHEET 1 OF 2

REV. B

PRO/ENGINEER INFORMATION

Pro/e Model Used:  
91-665344-AFP.ASSEM  
Drawing Name:  
91-643865-AFP

N/A

NEXT ASSEMBLY

UNLESS OTHERWISE SPECIFIED	SPECIFICATIONS	POS	QTY	PART NUMBER	DESCRIPTION	NOTE
LINEAR DIMENSIONS ARE IN INCHES TOLERANCES: .XXXX = ±.0005 ANGLES= ±2° .XXX = ±.010 .XX = ±.03 .X = ±.1 ----- DIM. & TOL. PER ASME Y14.5M; DRM PER MIL-DTL-31000; OTHER Amphenol Stds. PER 9-3800 LEGENDS: = FLAG NOTE CALL OUT REFERENCE ONLY	MATERIAL SPEC.	PARTS LIST				
	N/A	<b>AMPHENOL CORPORATION</b> <small>40-60 DELAWARE AVENUE SIDNEY, N.Y. 13858</small> <b>CONNECTOR ELECTRICAL PLUG GTC08RMIFT16-AFP(M20)(LC) SPECIAL, NICKEL/TIN PLATED</b>				
	PROCESS SPEC.	APPROVALS <small>PREPARED BY A.Prescott ENGINEER IN CHARGE A.Prescott DESIGN MANAGER S.DeGraeve DESIGN ACTIVITY GROUP C &amp; I</small> DATE 11/5/19 THIRD ANGLE PROJECTION 				
SEE NOTE 4					SIZE C CAGE CODE 77820 SCALE: 2.0	DOCUMENT NO. 91-643865-AFP REF. 91-665262-AFP SHEET 1 OF 2

VERSION 4

REV. B

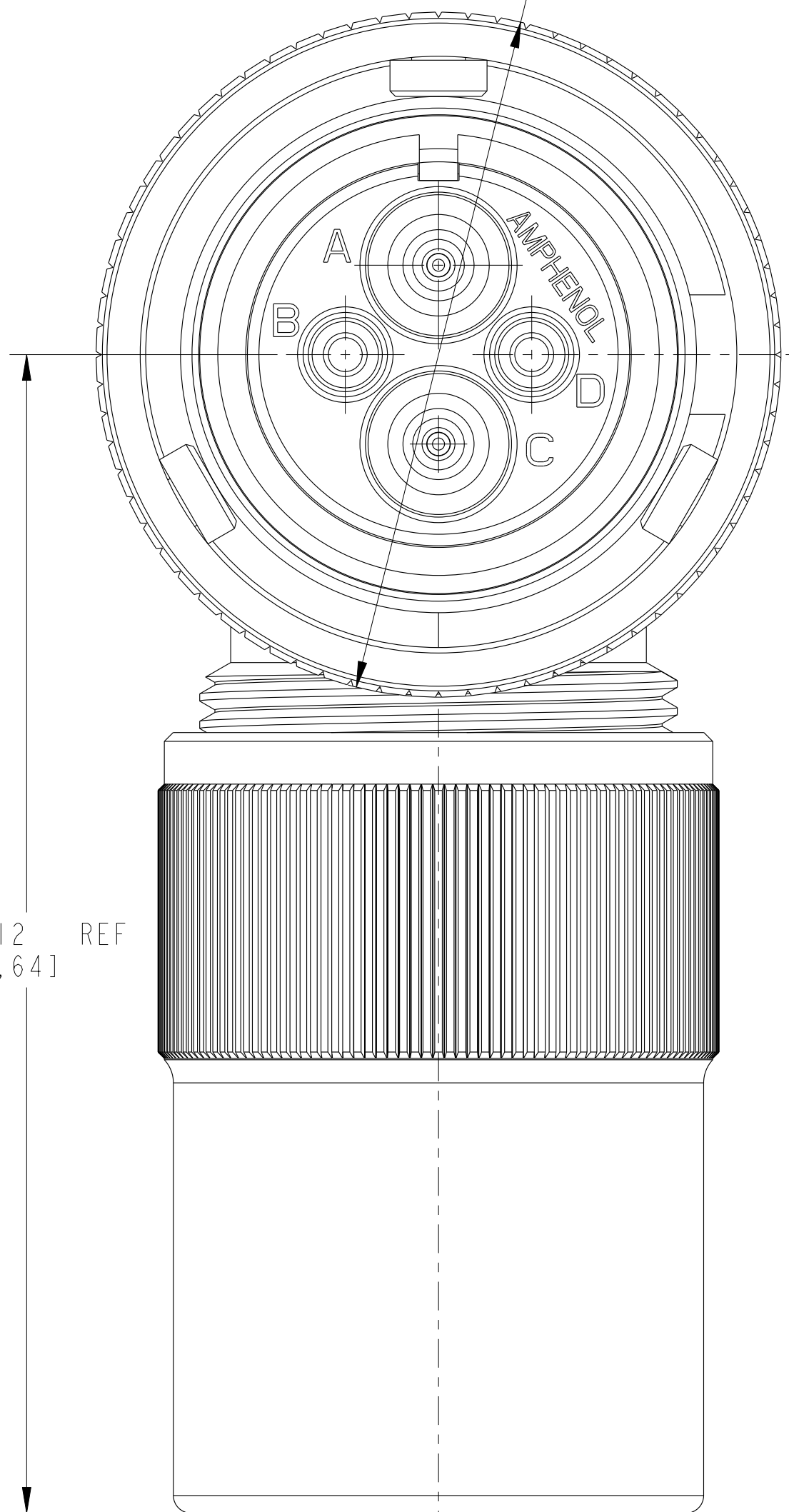
RELEASE STATE WIP

REV. B

SHEET 1 OF 2

91-643865-AFP

Ø 1.249 REF  
[31,72]



.281  
[7,14]

.020  
[0,51]

SEE NOTE 2

AMPHENOL

2.032 REF  
[51,61]

STAMP "AMPHENOL", ASSEMBLY NUMBER,  
AND DATE CODE (9-3895) PER 9-3856-5  
APPROX .094 HIGH, FOLLOWED BY GREEN DOT  
EXAMPLE:  
AMPHENOL 91-643865-AFP 1952

NOTES:

THE USE OF THIS DOCUMENT IS UNLIMITED.  
HOWEVER, DOCUMENTS REFERENCED HEREON  
MAY CONTAIN LIMITED RIGHTS DATA.

RELEASED / Dec. 02 2019, 1:34:35 PM

91-643865-AFP

SHEET 2 OF 2

REV. A

SIZE C	CAGE CODE 77820	DOCUMENT NO. 91-643865-AFP	REV. A
SCALE: 1.0		REF: 91-665262-AFP	SHEET 2 OF 2

## X-ON Electronics

Largest Supplier of Electrical and Electronic Components

*Click to view similar products for [Circular MIL Spec Connector](#) category:*

*Click to view products by [Amphenol](#) manufacturer:*

Other Similar products are found below :

[89075GULPR](#) [0025-262-542](#) [0025-263-3014](#) [0025-264-3014](#) [0031-065-002](#) [0031-071-002](#) [58-584653-12P](#) [0134-201-1007](#) [0134-202-0800](#)  
[0134-202-1200](#) [0134-202-2407](#) [0134-207-1206](#) [0134-207-1800](#) [0134-207-2207](#) [0134-213-0806](#) [0134-213-1007](#) [0134-213-1009](#) [0134-213-1200](#) [0134-213-1208](#) [0134-213-1800](#) [0134-213-2209](#) [0025-258-000](#) [0025-259-542](#) [0031-066-002](#) [0031-068-002](#) [0031-069-002](#) [0031-070-002](#) [0031-072-002](#) [015-9516-002](#) [020313-0043](#) [020340-0009](#) [020418-0036](#) [020419-0080](#) [020419-0120](#) [020420-0108](#) [0104-201-2402](#) [0114-201-1278](#) [024251-0015](#) [602GB06EG1832SN](#) [602GB06EG24-61SN](#) [0134-201-1207](#) [0134-201-1410](#) [0134-201-1806](#) [0134-201-2006](#) [0134-201-2007](#) [0134-201-2010](#) [0134-201-2200](#) [0134-202-1400](#) [0134-207-0809](#) [0134-207-1208](#)