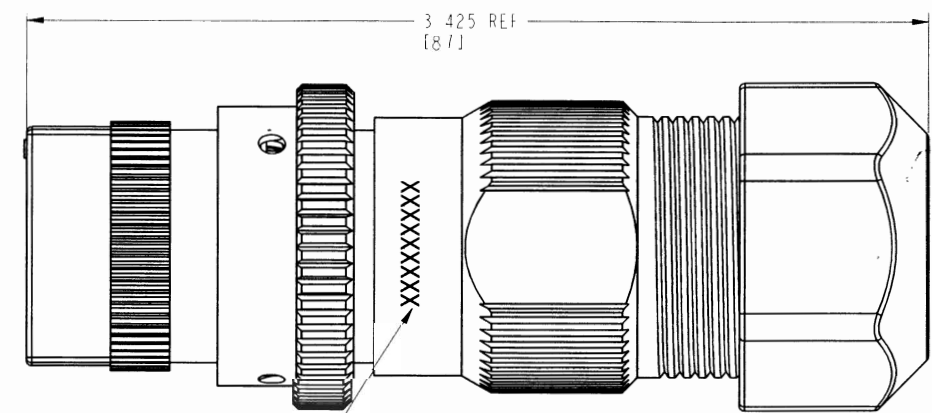
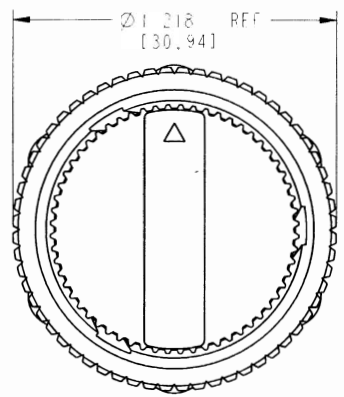
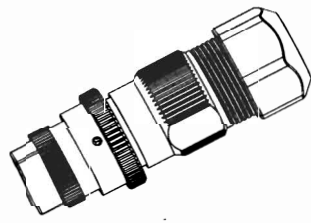
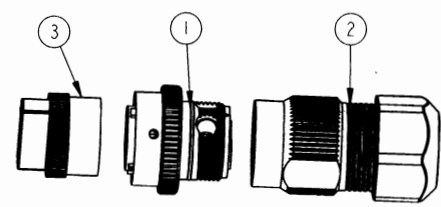


C10-694780-025  
SHEET 1 OF 1  
A



SEE NOTE 2

ORIGINAL COPY (正宗原稿)  
21 OCT 2011  
DOCUMENT CONTROL



- 4. A MANUAL SHOULD ALSO BE INCLUDED IN THE PACKAGE POLY BAG
- 3. AFTER ASSEMBLY, THE RETAINING CLIP SHALL WITHSTAND AN AXIAL FORCE OF 180 LBS MIN WITHOUT LOSSENING
- 2. INK STAMP APPROX .094- .125 HIGH.  
- AMPHENOL P/N AND DATE CODE AT APPROX LOCATION FOR EXAMPLE.  
- AMPHENOL C10-694780-025 1123
- 1. THE REFERENCED MATERIAL SHALL BE CERTIFIED COMPLIANT TO THE 2002/95/EC RoHS DIRECTIVE AS AMENDED PER 2005/618/EC

NOTES:

THE USE OF THIS DOCUMENT IS UNLIMITED HOWEVER, DOCUMENTS REFERENCED HEREON MAY CONTAIN LIMITED RIGHTS DATA

N/A	PRO/ENGINEER INFORMATION
N/A	Proj: 408111123
	C10-694780-025
	Drawing Name
	C10-694780-025

UNLESS OTHERWISE SPECIFIED	SPECIFICATIONS
LINEAR DIMENSIONS ARE IN INCHES TOLERANCES: .xxx = ±.0005 ANGLES = ±2° .xxx = ±.010 .xx = ±.03 .x = ±.1	MATERIAL SPEC
DIM. & TOL PER ASME Y14.5M. DRM PER MIL-DTL-31000: OTHER AMPHENOL SIDS PER A 3800	PROCESS SPEC
LEGENDS * FLAG NOTE SHALL ONLY REFERENCE ONLY	C9 3895 C9 3856-5

I	I	C10-679639-000	PROTECTION CAP	
I	I	C10-679666-258	CABLE GLAND	
I	I	C10-670889-2BIS	PLUG CONNECTOR	
POS	QTY	PART NUMBER	DESCRIPTION	NOTE
PARTS LIST				
<b>AMPHENOL CORPORATION</b> 40-40 DELAWARE AVENUE BENTON, CT 06025				
APPROVALS	DATE	PLUG CONNECTOR WITH EGM CABLE GLAND 14 SIZE CONNECTOR, TVS STYLE CONIC SLEEVE FOR SHIELDING		
PREPARED BY: [Signature]	11/02			
DESIGN BY: [Signature]				
DESIGN ACTIVITY: [Signature]				
THIRD ANGLE PROJECTION		SIZE	CAGE CODE	DOCUMENT NO.
		C	77820	C10-694780-025
				REV. A
		SCALE: 1.0 REF		SHEET 1 OF 1

## X-ON Electronics

Largest Supplier of Electrical and Electronic Components

*Click to view similar products for [Circular MIL Spec Connector](#) category:*

*Click to view products by [Amphenol](#) manufacturer:*

Other Similar products are found below :

[0025-262-542](#) [0025-264-3014](#) [58-570121-04S](#) [0134-202-1200](#) [0134-207-1206](#) [0134-207-1800](#) [0134-207-2207](#) [0134-213-0806](#) [0134-213-1007](#) [0134-213-1009](#) [0134-213-1208](#) [0134-213-1800](#) [0134-213-2209](#) [0025-258-000](#) [015-9516-002](#) [60-042722-19P](#) [0114-201-1278](#) [602GB06EG24-61SN](#) [0134-201-1207](#) [0134-201-1806](#) [0134-201-2006](#) [0134-201-2007](#) [0134-201-2010](#) [0134-202-1400](#) [0134-207-0809](#) [0134-207-1208](#) [0134-207-2009](#) [0134-213-1006](#) [6104-207-2302](#) [6104-208-1902](#) [6131-202-19149P](#) [6131-204-21149P](#) [6131-207-13149P](#) [6131-208-13149P](#) [6131-209-17149P](#) [6131-210-11149P](#) [6131-211-19149P](#) [6131-216-19149P](#) [6131-220-25149P](#) [6131-259-11149P](#) [6131-259-21149P](#) [6131-259-23149P](#) [6131-263-19149P](#) [6131-265-17149P](#) [6131-265-19149P](#) [CS3102A-20-15P](#) [CS3102A-20-15S](#) [CS3102C18-4P-472](#) [CS3106A-20-29P](#) [CS3106A-20-74P](#)