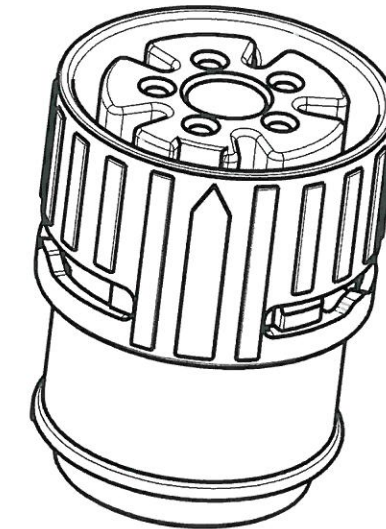
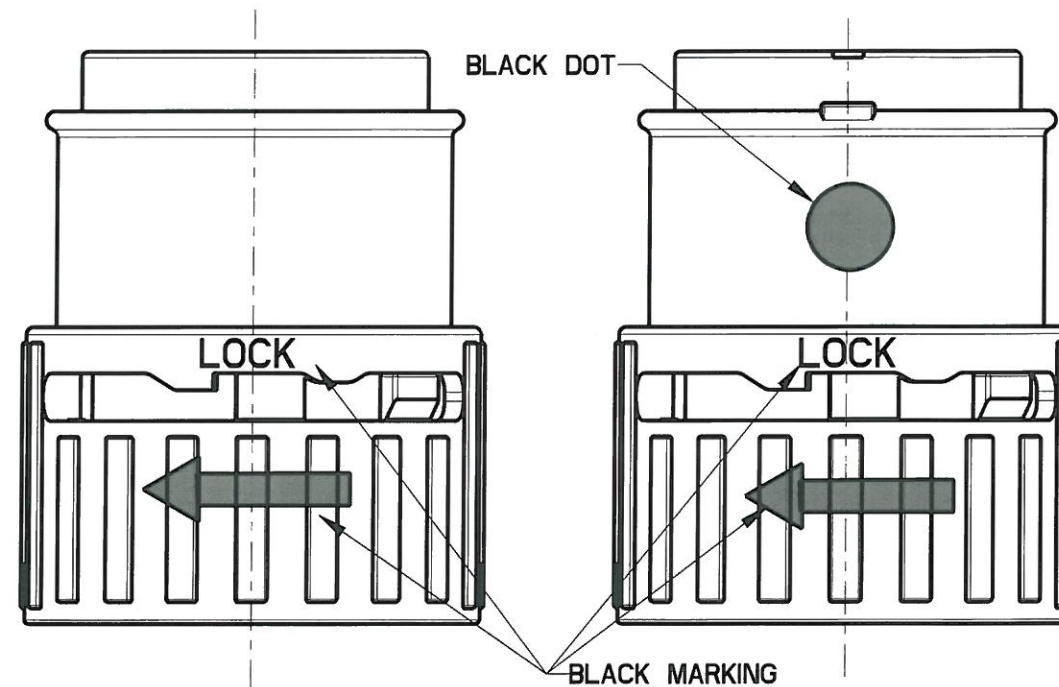
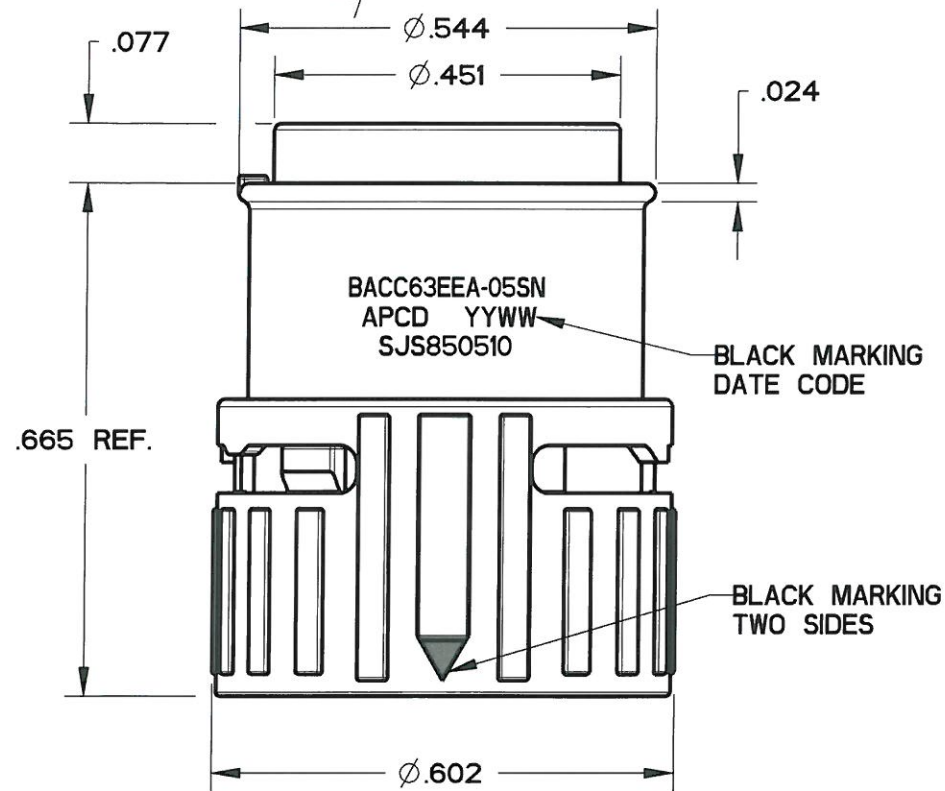
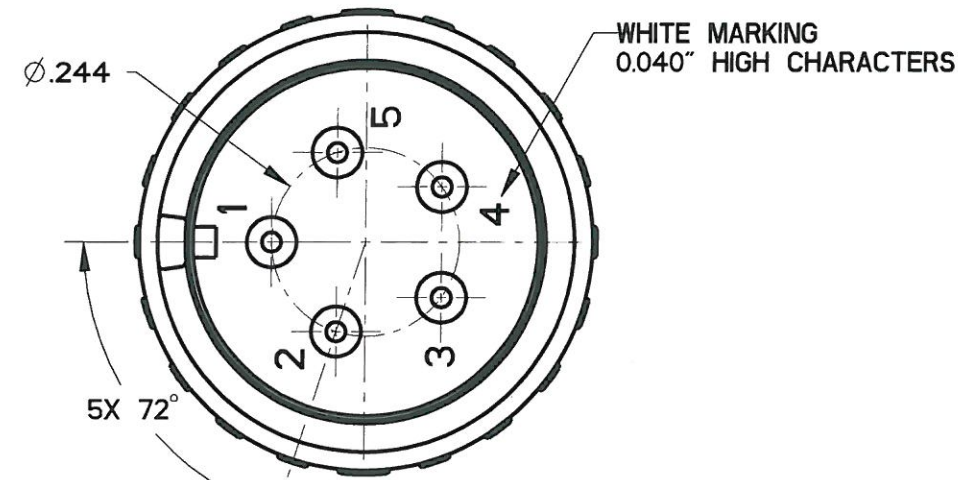


| REV | ECN  | APP'D      |
|-----|------|------------|
| -   | 6481 | JT 2/22/10 |
| A   | 6487 | JT 2/25/10 |
| B   | 6498 | JT 3/08/10 |
| C   | 6573 | JT 8/30/10 |
| D   | 6655 | JT 1/18/11 |



SCALE 3:1

- NOTES:
- MATERIALS:  
HOUSING: PA6/6,  
COUPLING NUT: PA6/6,  
CONTACT RETAINER: STAINLESS STEEL  
GROMMET: SILICONE RUBBER PER A-A-59588,
  - MATING CONTACTS: SEE TABLE I
  - TEST SPECIFICATION: BACC63EE
  - WHEN ASSEMBLED, "LOCK" AND ARROW MARKINGS MUST ALIGN WITH BLACK DOT
  - PART MATES WITH SJS850500 & SJS850520
  - WEIGHT: 2.6 GRAMS
  - SUPPLIED WITH DUST CAP

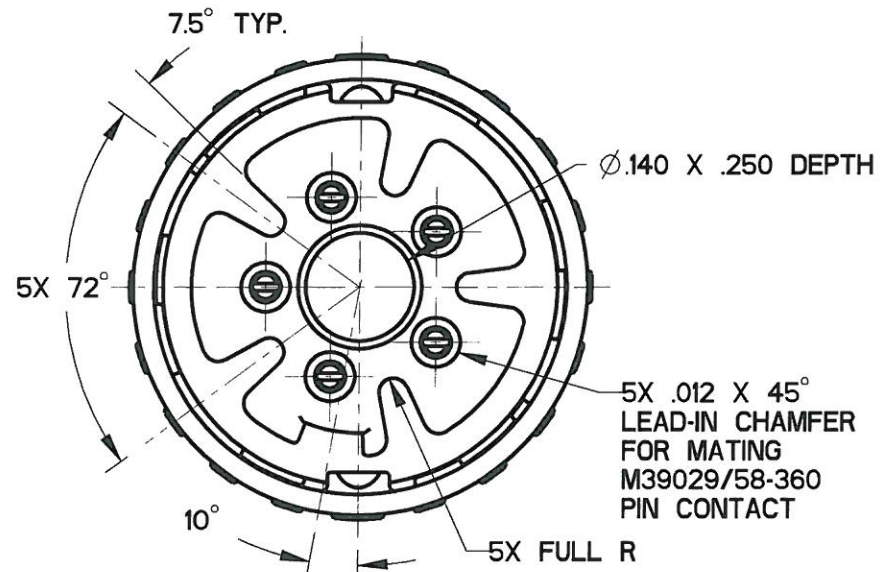


TABLE I

| APCD P/N  | BOEING P/N      | P/N MARKING(S) | CONTACTS SUPPLIED |
|-----------|-----------------|----------------|-------------------|
| SJS850510 | BACC63EEA-05SNH | BACC63EEA-05SN | NONE              |
| SJS850511 | BACC63EEA-05SN  | SJS850510      | (5) M39029/57-354 |

|  |  |                |  |             |   |              |                         |
|--|--|----------------|--|-------------|---|--------------|-------------------------|
| DIMENSIONS<br>ANSI Y14.5M<br>UNITS: INCHES<br>Pro/E FILE | TOLERANCES<br>.XX ±0.01<br>.XXX ±0.005<br>ANGLES ±1.0°   | PROJECTION<br> | <b>Amphenol Pcd</b><br>SPECIFICATION DRAWING |             | TITLE<br>BACC63EEA-05SN<br>5P SZ22 INLINE WHITE<br>PLUG FOR SJS |              |                         |
|  |  |                | ENGR<br>Frank.Li<br>15-Mar-09                | CHKD<br>    | APPD<br>  | SIZE<br>B    | DWG NO.<br>SJS850510_CE |
| ORIGINAL<br>   | THIS DOCUMENT CONTAINS<br>PROPRIETARY INFORMATION WHICH<br>IS THE CONFIDENTIAL PROPERTY<br>OF AMPHENOL PCD INC., BEVERLY, MA |                |  | CODE: 58982 | SCALE: 4:1  | SHEET 1 OF 1 |                         |

SJS850510

SJS850510

## X-ON Electronics

Largest Supplier of Electrical and Electronic Components

*Click to view similar products for [Circular MIL Spec Connector](#) category:*

*Click to view products by [Amphenol](#) manufacturer:*

Other Similar products are found below :

[0025-262-542](#) [0025-264-3014](#) [58-570121-04S](#) [0134-202-1200](#) [0134-207-1206](#) [0134-207-1800](#) [0134-207-2207](#) [0134-213-0806](#) [0134-213-1007](#) [0134-213-1009](#) [0134-213-1208](#) [0134-213-1800](#) [0134-213-2209](#) [0025-258-000](#) [015-9516-002](#) [60-042722-19P](#) [0114-201-1278](#) [602GB06EG24-61SN](#) [0134-201-1207](#) [0134-201-1806](#) [0134-201-2006](#) [0134-201-2007](#) [0134-201-2010](#) [0134-202-1400](#) [0134-207-0809](#) [0134-207-1208](#) [0134-207-2009](#) [0134-213-1006](#) [6104-207-2302](#) [6104-208-1902](#) [6131-202-19149P](#) [6131-204-21149P](#) [6131-207-13149P](#) [6131-208-13149P](#) [6131-209-17149P](#) [6131-210-11149P](#) [6131-211-19149P](#) [6131-216-19149P](#) [6131-220-25149P](#) [6131-259-11149P](#) [6131-259-21149P](#) [6131-259-23149P](#) [6131-263-19149P](#) [6131-265-17149P](#) [6131-265-19149P](#) [CS3102A-20-15P](#) [CS3102A-20-15S](#) [CS3102C18-4P-472](#) [CS3106A-20-29P](#) [CS3106A-20-74P](#)