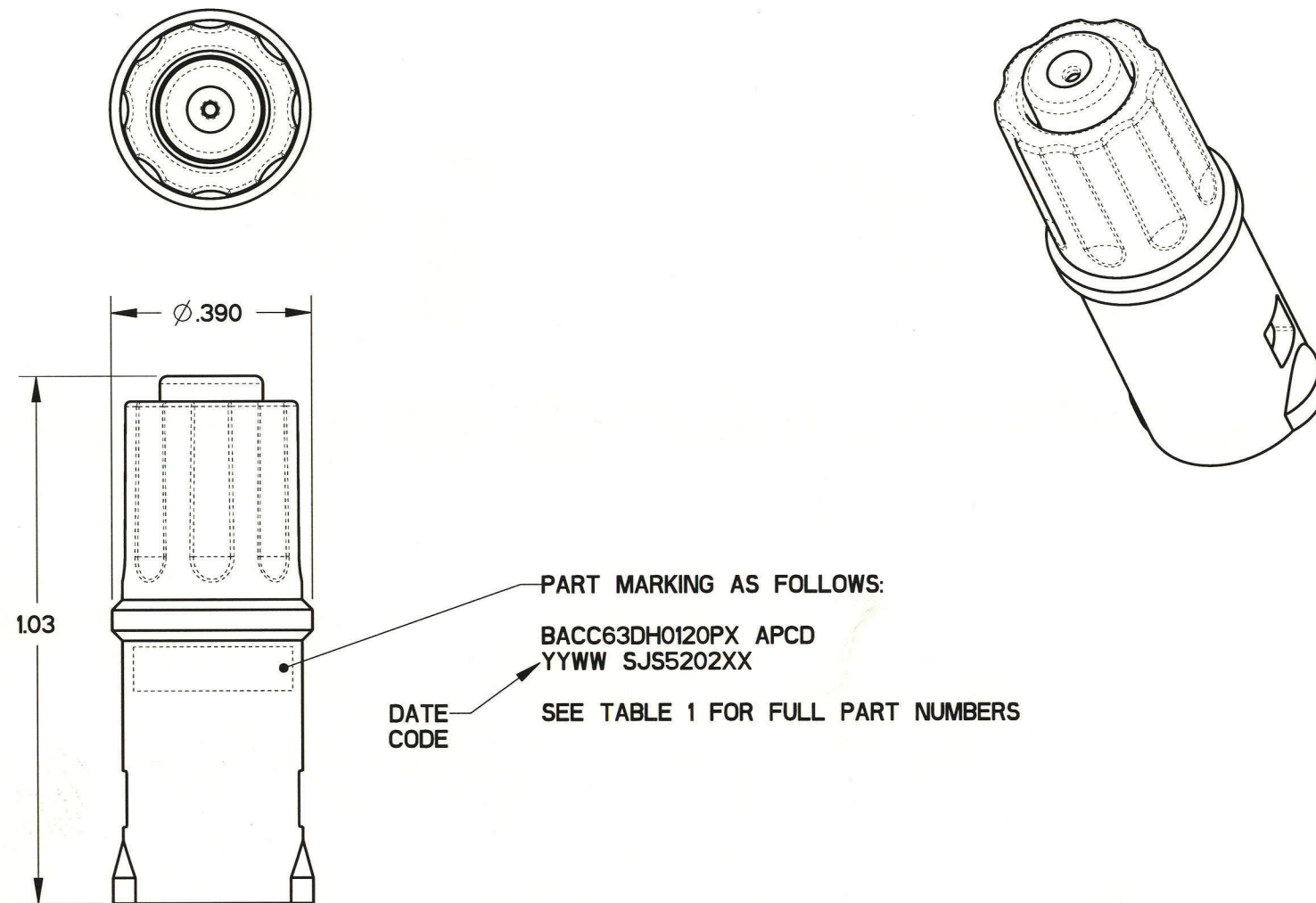


REV	ECN	APP'D
-	5663	J. TON
A	5706	J. TON
B	5720	J. TON
C	5796	J. Ton 9-11-06



PART MARKING AS FOLLOWS:  
 BACC63DH0120PX APCD  
 YYWW SJS5202XX  
 DATE CODE  
 SEE TABLE 1 FOR FULL PART NUMBERS

NOTES:

- MATERIALS:  
 HOUSING: PA 6/6  
 CONTACT RETAINER: STAINLESS STEEL  
 GROMMET: SILICONE RUBBER PER A-A-59588  
 SEAL: SILICONE RUBBER PER A-A-59588
- OPERATING RANGE:  
 TEMPERATURE: -65 °C TO 160 °C  
 INSULATION RESISTANCE: 5000 MEGOHMS MINIMUM  
 DIELECTRIC WITHSTANDING VOLTAGE: 1500 VRMS SEA LEVEL  
 200 VRMS @100,000 FT. ALTITUDE  
 CURRENT RATING: 7.5 AMPS  
 VIBRATION: PER EIA-364-D METHOD 28
- ACCEPTS (1) M39029/58-363 PIN CONTACT (NOT INCLUDED)
- CONTACT RETENTION - MUST LOCK 25 LBS
- LOCKING FEATURE - NO BREAK 25 LBS

TABLE 1 - PART NUMBER SCHEME		
APCD PART#	BACC PART#	COLOR
SJS520200	BACC63DH0120PG	GREEN
SJS520210	BACC63DH0120PY	YELLOW

DIMENSIONS ANSI Y14.5M UNITS: INCHES Pro/E FILE	TOLERANCES .XX ±0.01 .XXX ±0.005 ANGLES ±1.0°	PROJECTION 	<b>Amphenol Pcd</b> SPECIFICATION DRAWING		TITLE IN-LINE JUNCTION SINGLE WIRE, SIZE 20 RECEPTACLE		
			ENGR S. STONE 10/19/05	CHKD J. TON 10/19/05		SIZE <b>B</b>	DWG NO. <b>SJS520200</b>
ORIGINAL 	THIS DOCUMENT CONTAINS PROPRIETARY INFORMATION WHICH IS THE CONFIDENTIAL PROPERTY OF AMPHENOL PCD INC., PEABODY, MA		APPD J. TON 10/19/05	CODE: 58982	SCALE: 3:1	SHEET 1 OF 1	

SJS520200

SJS520200

## X-ON Electronics

Largest Supplier of Electrical and Electronic Components

*Click to view similar products for [Circular MIL Spec Connector](#) category:*

*Click to view products by [Amphenol](#) manufacturer:*

Other Similar products are found below :

[0025-262-542](#) [0025-264-3014](#) [58-570121-04S](#) [0134-202-1200](#) [0134-207-1206](#) [0134-207-1800](#) [0134-207-2207](#) [0134-213-0806](#) [0134-213-1007](#) [0134-213-1009](#) [0134-213-1208](#) [0134-213-1800](#) [0134-213-2209](#) [0025-258-000](#) [015-9516-002](#) [60-042722-19P](#) [0114-201-1278](#) [602GB06EG24-61SN](#) [0134-201-1207](#) [0134-201-1806](#) [0134-201-2006](#) [0134-201-2007](#) [0134-201-2010](#) [0134-202-1400](#) [0134-207-0809](#) [0134-207-1208](#) [0134-207-2009](#) [0134-213-1006](#) [6104-207-2302](#) [6104-208-1902](#) [6131-202-19149P](#) [6131-204-21149P](#) [6131-207-13149P](#) [6131-208-13149P](#) [6131-209-17149P](#) [6131-210-11149P](#) [6131-211-19149P](#) [6131-216-19149P](#) [6131-220-25149P](#) [6131-259-11149P](#) [6131-259-21149P](#) [6131-259-23149P](#) [6131-263-19149P](#) [6131-265-17149P](#) [6131-265-19149P](#) [CS3102A-20-15P](#) [CS3102A-20-15S](#) [CS3102C18-4P-472](#) [CS3106A-20-29P](#) [CS3106A-20-74P](#)