

REV	ECN	APP'D
-	5663	J. TON
A	5706	J. TON
B	5796	J. TON
C	5951	J. TON
D	6545	JT 6/25/10
E	6589	JT 10/12/10

NOTES:

1. MATERIALS:

HOUSING: PA 6/6
 CONTACT RETAINER: STAINLESS STEEL
 GROMMET: SILICONE RUBBER PER A-A-59588
 SEAL: SILICONE RUBBER PER A-A-59588

2. OPERATING RANGE:

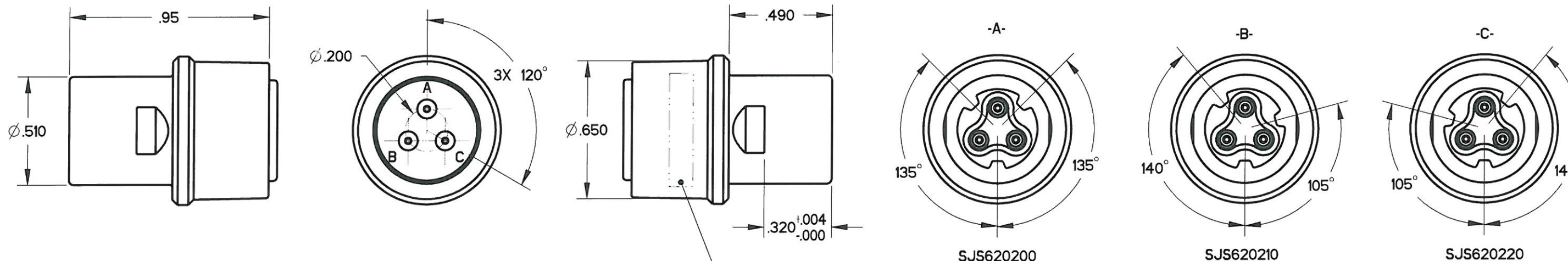
TEMPERATURE: -55 °C TO 95 °C
 INSULATION RESISTANCE: 5000 MEGOHMS MINIMUM
 DIELECTRIC WITHSTANDING VOLTAGE: 1500 VRMS SEA LEVEL
 600 VRMS @ 45,000 FT. ALTITUDE

CURRENT RATING: 7.5 AMPS

VIBRATION: PER EIA-364D METHOD 28, TEST CONDITION V.

3. ACCEPTS (3) M39029/58-363 PIN CONTACTS (NOT INCLUDED)

4. CONTACT RETENTION - 20 LBS EACH



KEY CONFIGURATION SEE TABLE 1

PART MARKING AS FOLLOWS:

BACC63DF0320PX APCD
 YYWW SJS6202XX

DATE CODE

SEE TABLE 1 FOR FULL PART NUMBERS

APCD PART#	BACC PART#	KEY	COLOR
SJS620200	BACC63DF0320PA	A	RED
SJS620210	BACC63DF0320PB	B	WHITE
SJS620220	BACC63DF0320PC	C	BLUE

DIMENSIONS ANSI Y14.5M UNITS: INCHES Pro/E FILE	TOLERANCES .XX ±0.01 .XXX ±0.005 ANGLES ±1.0°	PROJECTION 	Amphenol Pcd SPECIFICATION DRAWING			TITLE IN-LINE JUNCTION TRIPLE WIRE, SIZE 20 RECEPTACLE		
			ENGR S. STONE 10/19/05	SIZE B		DWG NO. SJS620200		REV E
ORIGINAL 	THIS DOCUMENT CONTAINS PROPRIETARY INFORMATION WHICH IS THE CONFIDENTIAL PROPERTY OF AMPHENOL PCD INC., BEVERLY, MA			CHKD 10/12/10	CODE: 58982		SCALE: 2:1	SHEET 1 OF 1

SJS620200

SJS620200

X-ON Electronics

Largest Supplier of Electrical and Electronic Components

Click to view similar products for [Circular MIL Spec Connector](#) category:

Click to view products by [Amphenol](#) manufacturer:

Other Similar products are found below :

[0025-262-542](#) [0025-264-3014](#) [58-570121-04S](#) [0134-202-1200](#) [0134-207-1206](#) [0134-207-1800](#) [0134-207-2207](#) [0134-213-0806](#) [0134-213-1007](#) [0134-213-1009](#) [0134-213-1208](#) [0134-213-1800](#) [0134-213-2209](#) [0025-258-000](#) [015-9516-002](#) [60-042722-19P](#) [0114-201-1278](#) [602GB06EG24-61SN](#) [0134-201-1207](#) [0134-201-1806](#) [0134-201-2006](#) [0134-201-2007](#) [0134-201-2010](#) [0134-202-1400](#) [0134-207-0809](#) [0134-207-1208](#) [0134-207-2009](#) [0134-213-1006](#) [6104-207-2302](#) [6104-208-1902](#) [6131-202-19149P](#) [6131-204-21149P](#) [6131-207-13149P](#) [6131-208-13149P](#) [6131-209-17149P](#) [6131-210-11149P](#) [6131-211-19149P](#) [6131-216-19149P](#) [6131-220-25149P](#) [6131-259-11149P](#) [6131-259-21149P](#) [6131-259-23149P](#) [6131-263-19149P](#) [6131-265-17149P](#) [6131-265-19149P](#) [CS3102A-20-15P](#) [CS3102A-20-15S](#) [CS3102C18-4P-472](#) [CS3106A-20-29P](#) [CS3106A-20-74P](#)