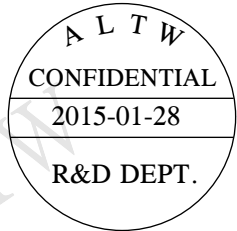
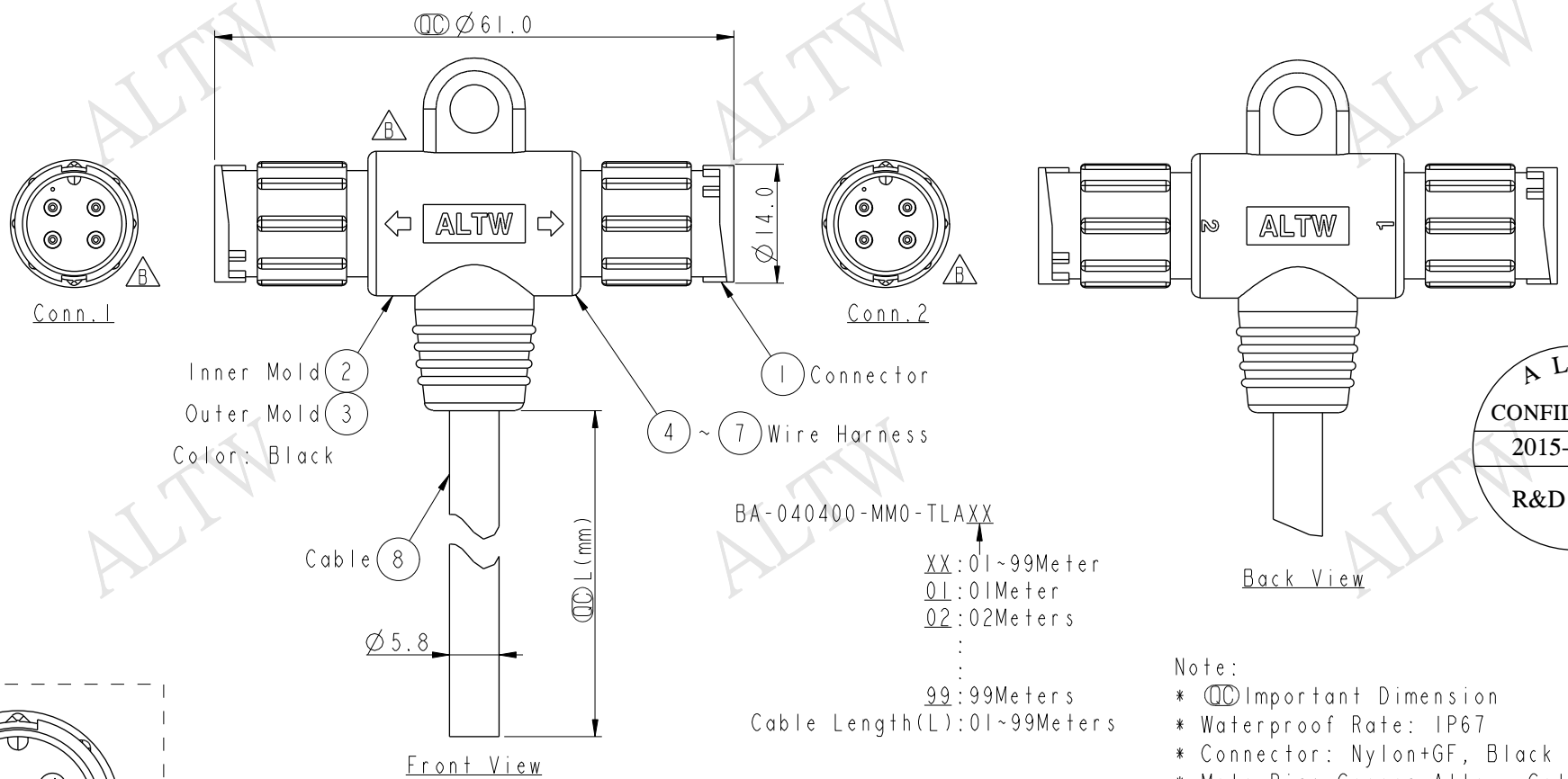
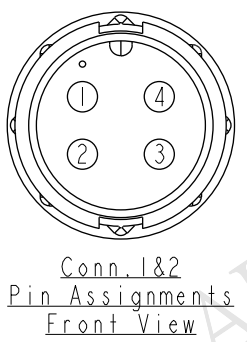


REV.	ECN NO.	DATE	SIGN	DESCRIPTION
B	LEN1510722~725	2015/01/28	Vicky	Update Logo & Orientation & Note



BA-040400-MM0-TLAXX
 XX: 01~99Meter
 01: 01Meter
 02: 02Meters
 ...
 99: 99Meters
 Cable Length(L): 01~99Meters

- Note:
- * \varnothing Important Dimension
 - * Waterproof Rate: IP67
 - * Connector: Nylon+GF, Black
 - * Male Pin: Copper Alloy, Gold Plated
 - * Cable: UL2464 24#*4C+D+A, Black PVC Jacket, UV Resistant, OD5.8mm
 - * Cable Length Tolerance:
 - 01M: ±40mm
 - 02M~05M: ±60mm
 - 06M~10M: ±100mm
 - 11M~30M: ±200mm
 - 31M~99M: ±500mm



4	Yellow	黃	4	Yellow	黃
3	Red	紅	3	Red	紅
2	Green	綠	2	Green	綠
1	White	白	1	White	白
Conn.1	Wire Harness	Conn.2	Wire Harness		

Pin Out

UNIT:mm

TOLERANCE

±0.5 mm

TITLE Standard T Cable Lock 4Pin MM Conn MM Pin			
SCALE 5:4	SIZE A4	SHEET 1 OF 1	
REV. B	WC-REV. A.1	\varnothing : Inspection item	

Amphenol LTW

安費諾亮泰企業股份有限公司

ITEM NO	DRAWN BY Vicky	DATE 2015-01-28
DWG NO BA-040400-MM0-TLAXX	CHECKED BY Sam	DATE 2015-01-28
CUSTOMER ALTW	APPROVED BY Rita	DATE 2015-01-28

THIS DOCUMENT IS SUBJECT TO CHANGE WITHOUT NOTICE. IT IS CONFIDENTIAL AND A PROPERTY OF Amphenol LTW. DISCLOSURE TO THIRD PARTY HAS TO BE AUTHORIZED BY Amphenol LTW.

X-ON Electronics

Largest Supplier of Electrical and Electronic Components

Click to view similar products for [Sensor Cables / Actuator Cables](#) category:

Click to view products by [Amphenol](#) manufacturer:

Other Similar products are found below :

[60963](#) [M83513/19-F01CP](#) [703000D02F2002](#) [703000D02F300](#) [703001D02F1201](#) [704000D02F120](#) [802027213811-1](#) [84914-0235](#)
[883030A09M050](#) [884031A09M005](#) [8R4006A18M010](#) [1200980008](#) [1200980031](#) [1211810021](#) [1400637](#) [1401201](#) [1401348](#) [1405278](#)
[1408644/94F/8](#) [1455311](#) [1513981](#) [1550119](#) [1554212](#) [1R3006A20A120G](#) [1R4004A17A120](#) [1R4006A20A1202](#) [1R4006A39M005](#) [2289297-6](#)
[8R3006A16A1203](#) [8R5E36E03M020](#) [2R7004A20F060](#) [301000A01F200](#) [301002A01F120](#) [2289297-1](#) [2289297-8](#) [2289297-9](#)
[302000A01F120](#) [CONM6A-S2](#) [309000A01F0301](#) [332021A01F200](#) [3R1006A20F030](#) [3R9006A20A1201](#) [403001A10M040](#)
[4030P1A10M040](#) [41-01023](#) [MBCC-412](#) [331020A01F060](#) [1R3G06A20A120](#) [543031A10M010](#) [884030K05M060](#)