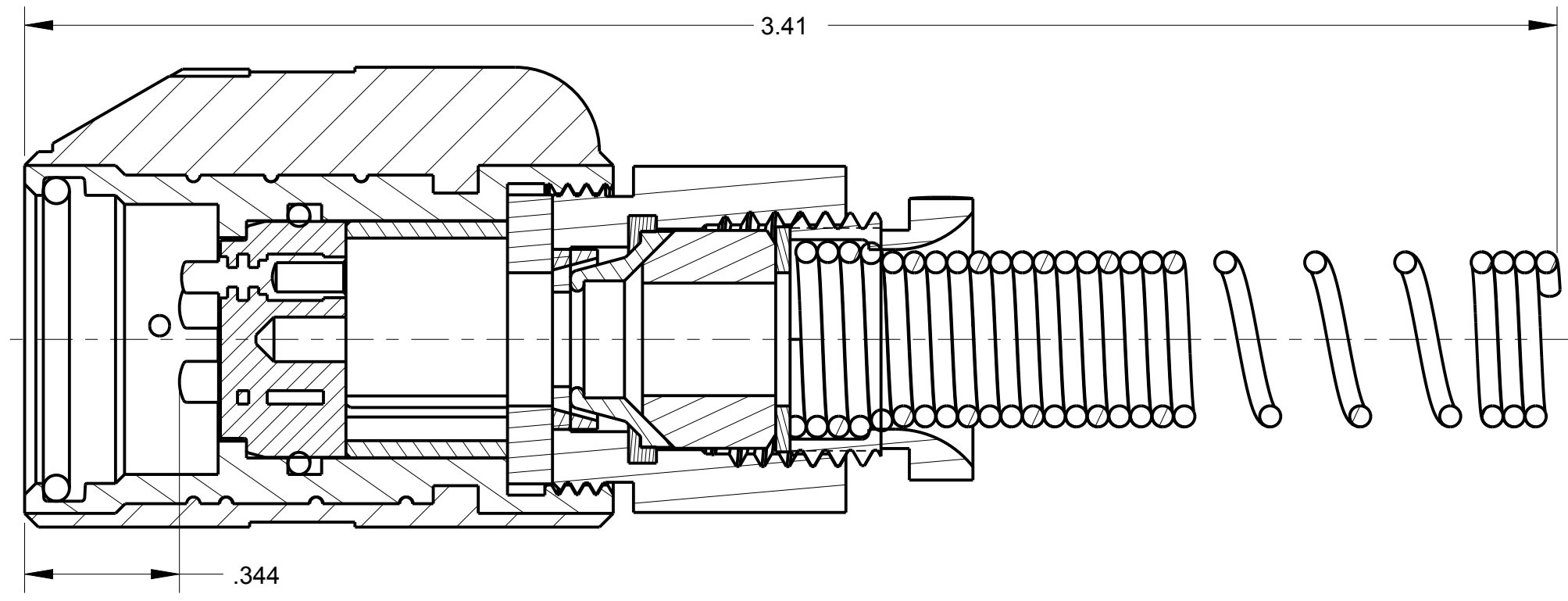
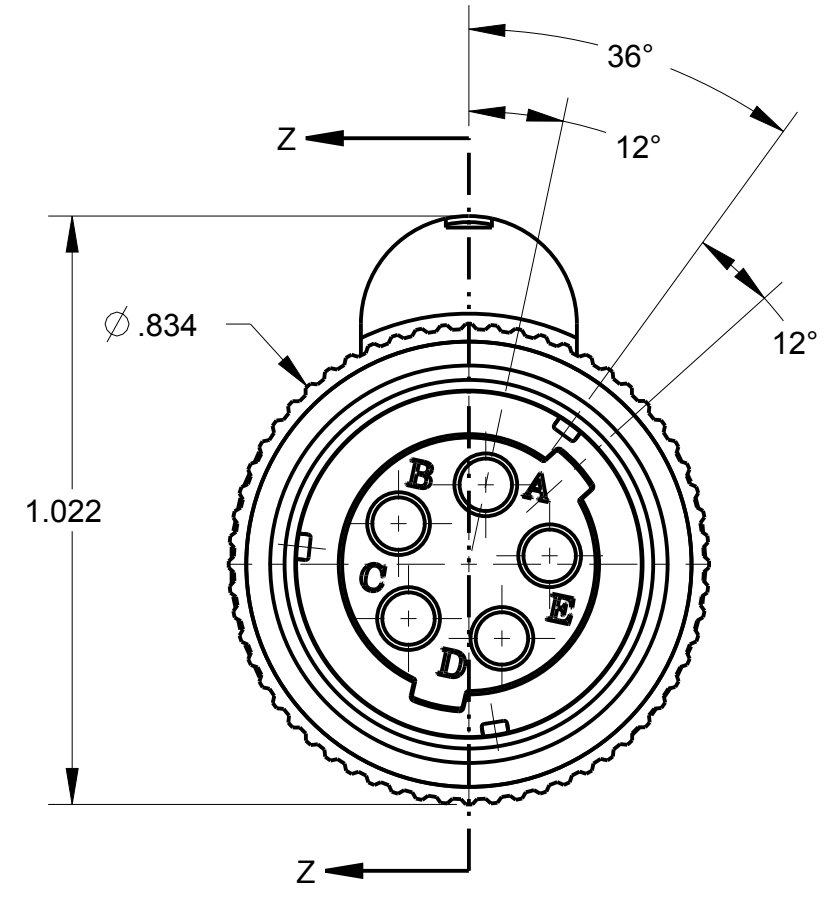
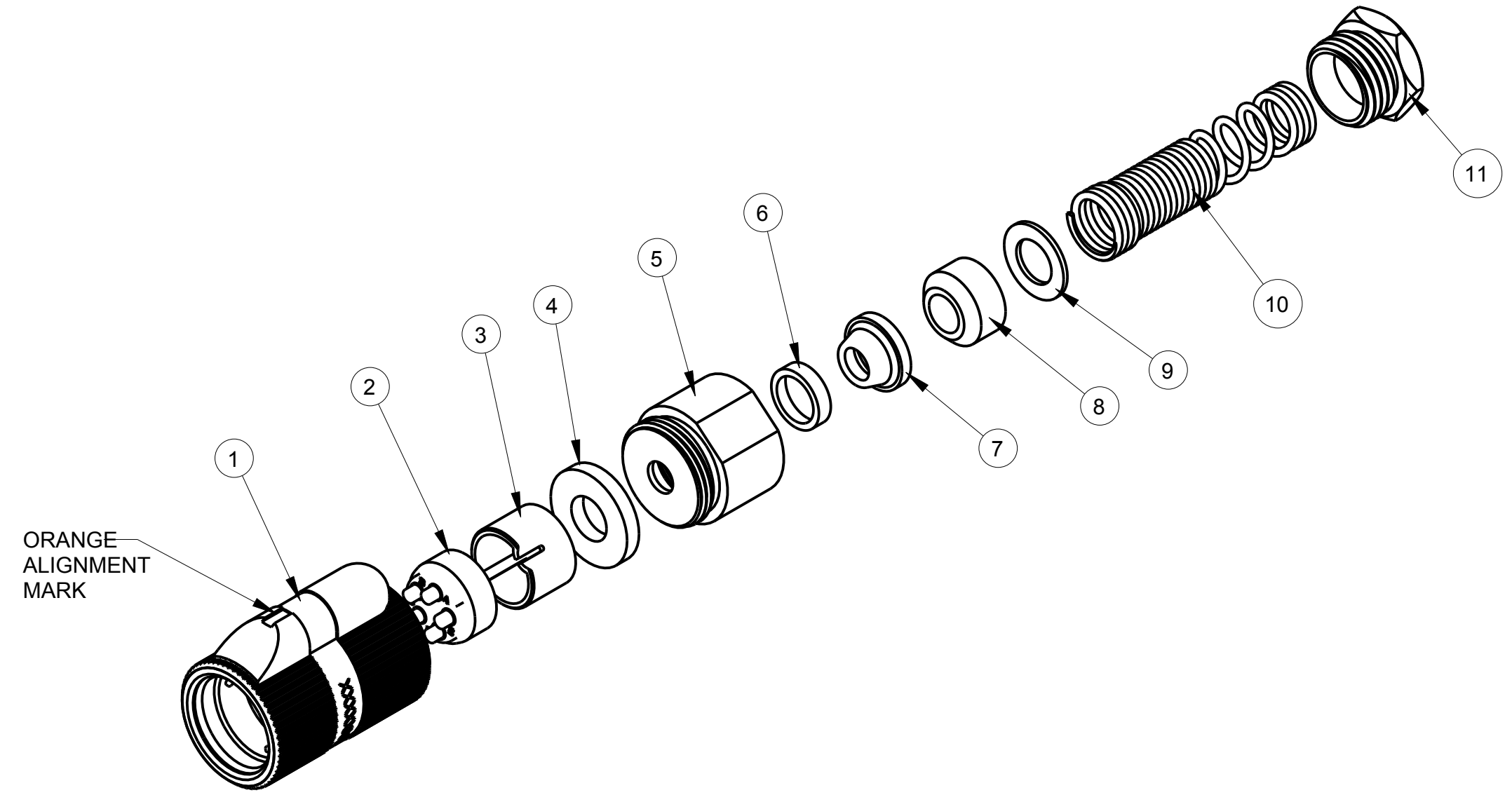


| ITEM # | PART # | QTY | DESCRIPTION | MATERIAL |
|--------|----------|-----|---------------------|--|
| 1 | AP-135-1 | 1 | SHELL ASS'Y | GLASS FILLED NYLON & 303 SS |
| 2 | AP-125-6 | 1 | INSERT ASS'Y | DIALLYPHTHALATE, TYPE SDGF & GOLD PLATED BRASS |
| 3 | AP-105-5 | 1 | STRAIN RELIEF | NYLON |
| 4 | AP-116-3 | 1 | WASHER | RUBBER |
| 5 | AP-136-8 | 1 | NUT ADAPTER | ALUMINUM, BLACK CHROME |
| 6 | AP-136-6 | 1 | CLAMP SHIELD, OUTER | NICKEL PLATED BRASS |
| 7 | AP-136-5 | 1 | CLAMP SHIELD INNER | NICKEL PLATED BRASS |
| 8 | AP-116-8 | 1 | BUSHING | RUBBER |
| 9 | AP-116-2 | 1 | WASHER | STAINLESS STEEL |
| 10 | AP-116-4 | 1 | SPRING | 302 STAINLESS STEEL |
| 11 | AP-116-6 | 1 | STUD | ANODIZED ALUMINUM ALLOY |

C AP-135



SECTION Z-Z

NOTES:
 1) UNLESS OTHERWISE SPECIFIED, CONNECTOR MEETS ALL GENERAL REQUIREMENTS & SPECIFICATIONS OF MIL-C-55116

THIS DOCUMENT CONTAINS PROPRIETARY INFORMATION OF NEXUS, INCORPORATED AND SUCH INFORMATION MAY NOT BE DISCLOSED TO OTHERS FOR ANY PURPOSE OR USED FOR ANY PURPOSE WITHOUT THE WRITTEN CONSENT OF NEXUS.

| | | | | | | | | | |
|------|----------|------|------|--|---------|------|-------------------|----------------------|-----------------|
| | | | | DWN. BY | MNF | DATE | 2/4/97 | MATERIAL | |
| | | | | CHECKED BY | L SMITH | DATE | 9/9/97 | FINISH | |
| | | | | APPR. BY | L SMITH | DATE | 9/9/97 | WEIGHT | SCALE = 1.00 :1 |
| | | | | UNLESS OTHERWISE SPECIFIED: DIMENSIONS ARE IN INCHES &/OR [mm] | | | | TITLE | |
| | | | | TOLERANCES: | | | | AUDIO PLUG | |
| | | | | DECIMAL: ±.XX[X.X] ±.003[0.08] | | | | NEXUS STAMFORD, CONN | |
| | | | | FRACTION: ±X/X ± 1/64 | | | | SIZE DWG. NO. | |
| | | | | ANGLES: ±X ±.5 | | | | C AP-135 | |
| LET. | REVISION | CN # | DATE | CHK | | | DO NOT SCALE DWG. | | SHEET 1 OF 1 |

X-ON Electronics

Largest Supplier of Electrical and Electronic Components

Click to view similar products for [Phone Connectors](#) category:

Click to view products by [Amphenol](#) manufacturer:

Other Similar products are found below :

[M444B](#) [6J1041A](#) [R4F](#) [E12BPKG](#) [ECP4PKG](#) [161-3502L-E](#) [MT333X](#) [171-0350-EX](#) [171-101A-EX](#) [171-3325-EX](#) [176S](#) [NC3MG-V](#)
[NYS228G](#) [P10834](#) [P2380](#) [P2381X](#) [P2411X](#) [P2412](#) [P2724](#) [JM2PB-AU BULK](#) [9144](#) [S2674](#) [280L](#) [163-156N-2-E](#) [163-158N-2-E](#) [171-3308-](#)
[EX](#) [171-3500-E](#) [2501FT](#) [CMT335](#) [M10662](#) [330Q](#) [RJ5VI-S](#) [40116](#) [TM1R-AU](#) [TM2PBMJ-AU](#) [TM2PJ-AU](#) [TM2PJ-AU BULK](#) [4803.1351](#)
[49201](#) [49205](#) [TS3PBJ-AU](#) [TS3PBMJ-AU](#) [TT32BX](#) [54B](#) [40112](#) [40205](#) [XMT332B](#) [52170017-331](#) [570](#) [NM3](#)