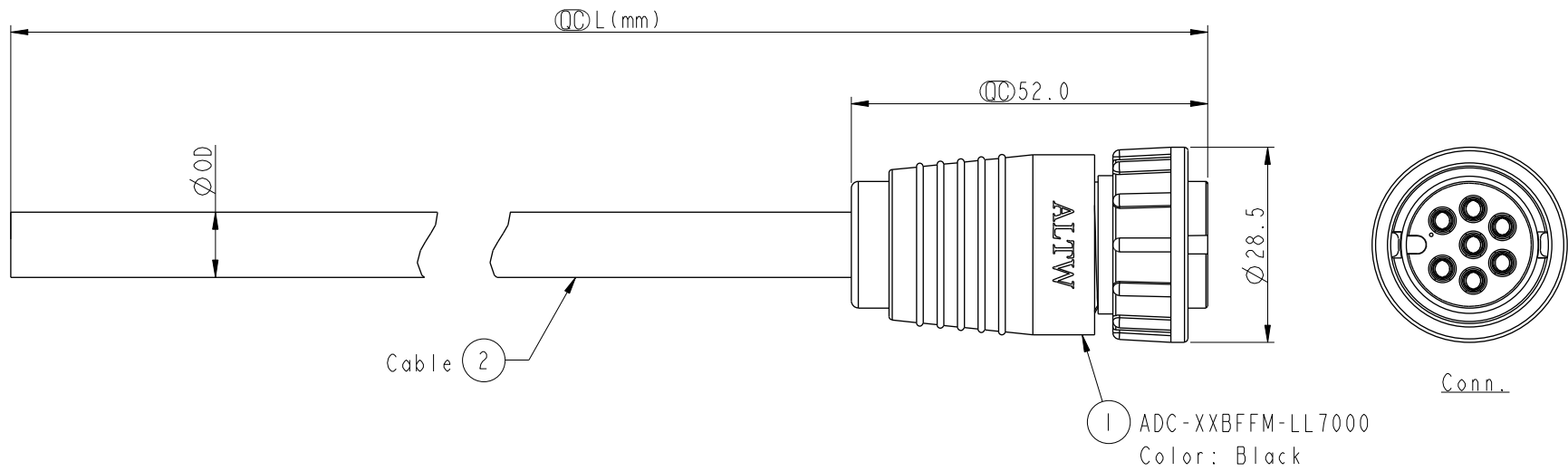


THIS DOCUMENT IS SUBJECT TO CHANGE WITHOUT NOTICE. IT IS CONFIDENTIAL AND A PROPERTY OF Amphenol LTW. DISCLOSURE TO THIRD PARTY HAS TO BE AUTHORIZED BY Amphenol LTW.

REV.	ECN NO.	DATE	SIGN	DESCRIPTION



ADC-XXBFFM-LL7AXX
 02: 2Pin
 :
 :
 07: 7Pin

XX : 01~99Meters
 01 : 01Meter
 02 : 02Meters
 :
 :
 99 : 99Meters

Cable Length(L): 01~99Meters

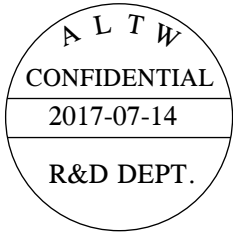
Note:
 * \varnothing Important Dimension To Check.
 * Waterproof Rate: IP67
 * Housing: Nylon+GF, Black.
 * Female Pin: Copper Alloy, Gold Plated.
 * Cable: UL2464 16AWG+D+AL/My
 PVC Jacket UV Resistant, Black.
 * Cable Length Tolerance: 01M: 40mm
 02M~05M: ±60mm
 06M~10M: ±100mm
 11M~30M: ±200mm
 31M~99M: ±500mm

7P	PVC	9.5	16	ADC-07BFFM-LL7AXX
6P		9.5		ADC-06BFFM-LL7AXX
5P		7.8		ADC-05BFFM-LL7AXX
4P		7.5		ADC-04BFFM-LL7AXX
3P		7.5		ADC-03BFFM-LL7AXX
2P		5.8		ADC-02BFFM-LL7AXX
Contacts	Cable Jacket	Cable OD	AWG	Item No.

UNIT: mm			TITLE LARGE CABLE LOCK F CONN F PIN	
TOLERANCE ±0.5	SCALE 1:1		SIZE A4	SHEET 1 OF 2
REV. A	WC-REV. A.1	\varnothing : Inspection item		

Amphenol LTW
 安費諾亮泰企業股份有限公司

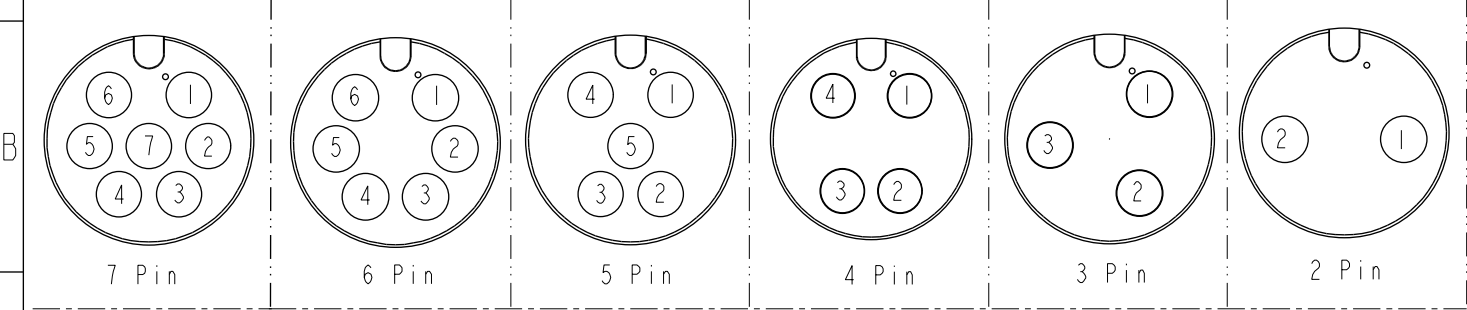
ITEM NO.	DRAWN BY Ruru	DATE 2017-07-14
DWG NO. ADC-XXBFFM-LL7AXX	CHECKED BY Rita	DATE 2017-07-14
CUSTOMER ALTW	APPROVED BY Max	DATE 2017-07-14



	2	3	4	5	6	7	8
--	---	---	---	---	---	---	---

7 Red 紅	6 Gray 灰	5 White 白	4 Orange 橙	3 Black 黑	2 Black 黑
6 Gray 灰	5 Yellow 黃	4 Brown 棕	3 Red 紅	2 Blue 藍	1 Red 紅
5 Yellow 黃	4 Green 綠	3 Blue 藍	2 Brown 棕	1 Brown 棕	
4 Green 綠	3 White 白	2 Black 黑	1 Black 黑		
3 White 白	2 Blue 藍	1 Red 紅			
2 Blue 藍	1 Brown 棕				
1 Brown 棕					
Pin # Wire	Pin # Wire	Pin # Wire	Pin # Wire	Pin # Wire	Pin # Wire

Pin Out



Pin Assignments Front View

UNIT: mm		TITLE LARGE CABLE LOCK F CONN F PIN	Amphenol LTW 安費諾亮泰企業股份有限公司	ITEM NO	DRAWN BY Ruru	DATE 2017-07-14
TOLERANCE .X ±0.25 .XX ±0.1 .XXX ±0.05 ANGLES ±1°		SCALE 1:1	SIZE A4	DWG NO ADC-XXBFFM-LL7AXX	CHECKED BY Rita	DATE 2017-07-14
		REV. A	WC-REV. A.1	CUSTOMER ALTW	APPROVED BY Max	DATE 2017-07-14
			Inspection item			

X-ON Electronics

Largest Supplier of Electrical and Electronic Components

Click to view similar products for [Sensor Cables / Actuator Cables](#) category:

Click to view products by [Amphenol](#) manufacturer:

Other Similar products are found below :

[60963](#) [M83513/19-F01CP](#) [703000D02F2002](#) [703000D02F300](#) [703001D02F1201](#) [704000D02F120](#) [802027213811-1](#) [84914-0235](#)
[883030A09M050](#) [884031A09M005](#) [8R4006A18M010](#) [1200980008](#) [1200980031](#) [1211810021](#) [1400637](#) [1401201](#) [1401348](#) [1405278](#)
[1408644/94F/8](#) [1455311](#) [1513981](#) [1550119](#) [1554212](#) [1R3006A20A120G](#) [1R4004A17A120](#) [1R4006A20A1202](#) [1R4006A39M005](#) [2289297-6](#)
[8R3006A16A1203](#) [8R5E36E03M020](#) [2R7004A20F060](#) [301000A01F200](#) [301002A01F120](#) [2289297-1](#) [2289297-8](#) [2289297-9](#)
[302000A01F120](#) [CONM6A-S2](#) [309000A01F0301](#) [332021A01F200](#) [3R1006A20F030](#) [3R9006A20A1201](#) [403001A10M040](#)
[4030P1A10M040](#) [41-01023](#) [MBCC-412](#) [331020A01F060](#) [1R3G06A20A120](#) [543031A10M010](#) [884030K05M060](#)