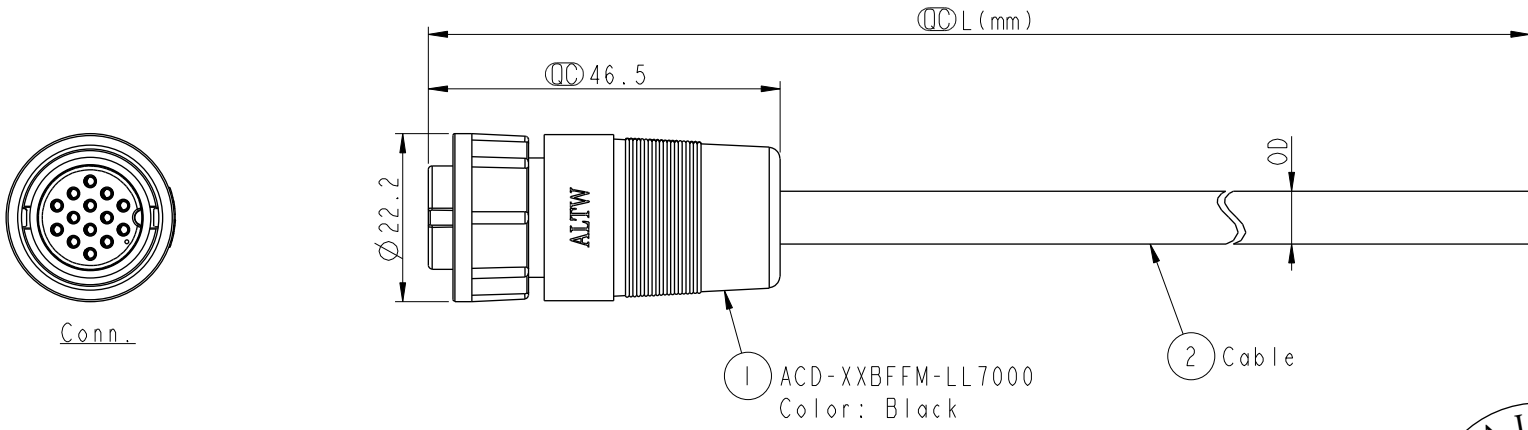


THIS DOCUMENT IS SUBJECT TO CHANGE WITHOUT NOTICE. IT IS CONFIDENTIAL AND A PROPERTY OF Amphenol LTW. DISCLOSURE TO THIRD PARTY HAS TO BE AUTHORIZED BY Amphenol LTW.

REV.	ECN NO.	DATE	SIGN	DESCRIPTION



ACD-XXBFFM-LL7AXX  
 07: 7Pin  
 :  
 :  
 14: 14Pin

XX : 01~99Meters  
 01 : 01Meter  
 02 : 02Meters  
 :  
 :  
 99 : 99Meters

Cable Length(L): 01~99Meters

Note:  
 \*  $\varnothing$  Important Dimension To Check  
 \* Waterproof Rate: IP67  
 \* Housing: Nylon+GF, Black.  
 \* Female Pin: Copper Alloy, Gold Plated  
 \* Lock Nut: Nylon+GF, Black  
 \* Cable: UL2464 24AWG+Drain+Al/My,  
 PVC Jacket UV Resistant, Black  
 \* Cable Length Tolerance: 01M: ±40mm  
 02M~05M: ±60mm  
 06M~10M: ±100mm  
 11M~30M: ±200mm  
 31M~99M: ±500mm

14P	PVC	7.0	24	ACD-14BFFM-LL7AXX
12P		7.0		ACD-12BFFM-LL7AXX
10P		6.5		ACD-10BFFM-LL7AXX
9P		6.0		ACD-09BFFM-LL7AXX
8P		5.5		ACD-08BFFM-LL7AXX
7P		5.8		ACD-07BFFM-LL7AXX
Contacts	Cable Jacket	Cable OD	AWG	Item No.

UNIT:mm		TITLE Middle Cable Lock F Conn F Pin
TOLERANCE ±0.5 mm	SCALE 1:1	SIZE A4
	REV. A	SHEET 1 OF 2
	WC-REV. A.1	$\varnothing$ : Inspection item

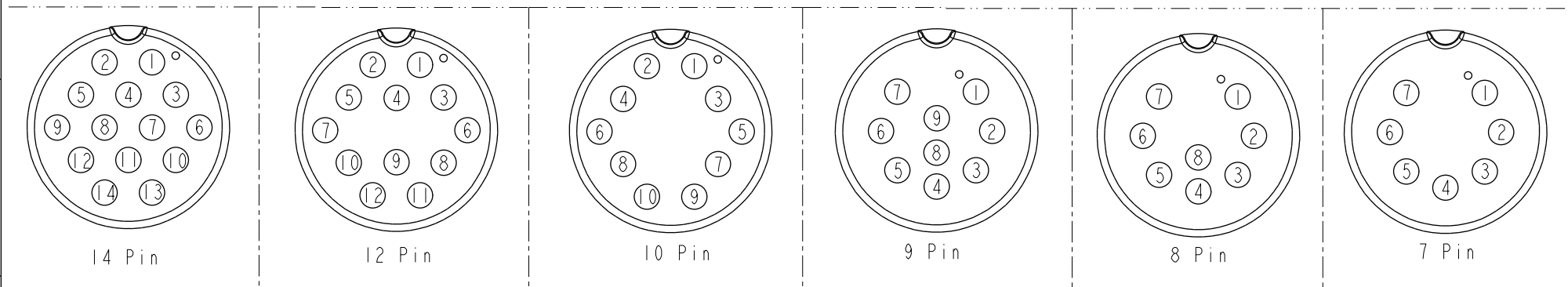
**Amphenol LTW**  
 安費諾亮泰企業股份有限公司

ITEM NO	DRAWN BY Vicky	DATE 2017-07-19
DWG NO ACD-XXBFFM-LL7AXX	CHECKED BY Mafei	DATE 2017-07-19
CUSTOMER ALTW	APPROVED BY Max	DATE 2017-07-19



14 Brown/White 棕/白 13 Black/White 黑/白 12 Light Green 淺綠 11 Purple 紫 10 Orange 橙 9 Black 黑 8 Red 紅 7 Pink 粉紅 6 Gray 灰 5 Yellow 黃 4 Green 綠 3 White 白 2 Blue 藍 1 Brown 棕 Pin # Wire	12 Light Green 淺綠 11 Purple 紫 10 Orange 橙 9 Black 黑 8 Red 紅 7 Pink 粉紅 6 Gray 灰 5 Yellow 黃 4 Green 綠 3 White 白 2 Blue 藍 1 Brown 棕 Pin # Wire	10 Orange 橙 9 Black 黑 8 Red 紅 7 Pink 粉紅 6 Gray 灰 5 Yellow 黃 4 Green 綠 3 White 白 2 Blue 藍 1 Brown 棕 Pin # Wire	9 Black 黑 8 Red 紅 7 Pink 粉紅 6 Gray 灰 5 Yellow 黃 4 Green 綠 3 White 白 2 Blue 藍 1 Brown 棕 Pin # Wire	8 Green 綠 7 Yellow 黃 6 Orange 橙 5 Red 紅 4 Blue 藍 3 White 白 2 Brown 棕 1 Black 黑 Pin # Wire	7 White 白 6 Green 綠 5 Brown 棕 4 Red 紅 3 Yellow 黃 2 Orange 橙 1 Blue 藍 Pin # Wire
---	---	---	--	---	--

Pin Out



Pin Assignments Front View

UNIT:mm 	TITLE Middle Cable Lock F Conn F Pin			<b>Amphenol LTW</b> 安費諾亮泰企業股份有限公司	ITEM NO	DRAWN BY Vicky	DATE 2017-07-19
	SCALE 1:1	SIZE A4	SHEET 2 OF 2		DWG NO ACD-XXBFFM-LL7AXX	CHECKED BY Mafei	DATE 2017-07-19
	REV. A	WC-REV. A.1	QC: Inspection item		CUSTOMER ALTW	APPROVED BY Max	DATE 2017-07-19

## X-ON Electronics

Largest Supplier of Electrical and Electronic Components

*Click to view similar products for [Sensor Cables / Actuator Cables](#) category:*

*Click to view products by [Amphenol](#) manufacturer:*

Other Similar products are found below :

[60963](#) [60964](#) [M83513/19-F01CP](#) [703000D02F2002](#) [703000D02F300](#) [703001D02F1201](#) [704000D02F120](#) [802027213811-1](#) [84914-0235](#)  
[883030A09M050](#) [884031A09M005](#) [8R4006A18M010](#) [1200980008](#) [1200980031](#) [1211810021](#) [1400637](#) [1401201](#) [1401348](#) [1405278](#)  
[1408644/94F/8](#) [1455311](#) [1513981](#) [1550119](#) [1554212](#) [1R3006A20A120G](#) [1R4004A17A120](#) [1R4006A20A1202](#) [1R4006A39M005](#) [2289297-6](#)  
[8R3006A16A1203](#) [8R5E36E03M020](#) [2R7004A20F060](#) [301000A01F200](#) [301002A01F120](#) [2289297-1](#) [2289297-8](#) [2289297-9](#)  
[302000A01F120](#) [CONM6A-S2](#) [332021A01F200](#) [3R1006A20F030](#) [3R9006A20A1201](#) [403001A10M040](#) [4030P1A10M040](#) [41-01023](#)  
[MBCC-412](#) [1R3G06A20A120](#) [543031A10M010](#) [884030A09M100](#) [883033A09M020](#)