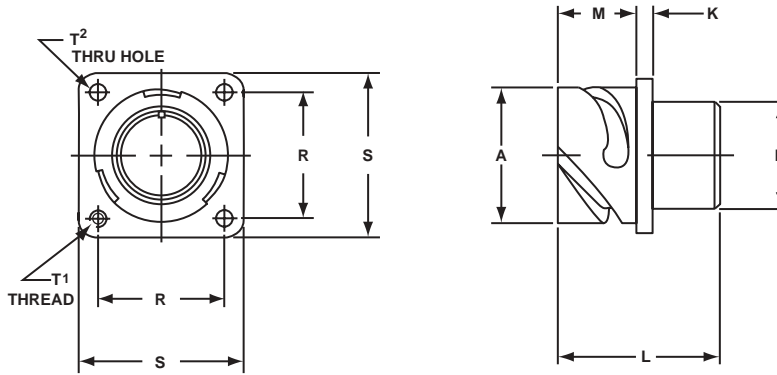


ACA 3102E-B

box mount receptacle for front panel mounting

- Receptacle without threads for panel mounting
- Four through mounting holes or optional metric threaded holes



Inches

Shell Size	A + .000 - .006	K ± .008	L ± .012	M + .016 - .000	N Max.	R ± .004	S ± .012	T ² Thru Hole + .004 - .000
10SL	.717	.110	.972	.559	.656	.717	1.000	.126
14S	.969	.126	.972	.559	.756	.906	1.181	.126
16S	1.079	.126	.972	.559	.882	.969	1.280	.126
16	1.079	.126	1.331	.748	.882	.969	1.280	.126
18	1.213	.157	1.358	.748	1.008	1.063	1.378	.126
20	1.346	.157	1.358	.748	1.142	1.157	1.496	.126
22	1.472	.157	1.358	.748	1.268	1.252	1.614	.126
24	1.610	.157	1.406	.811	1.390	1.374	1.752	.146
28	1.839	.157	1.406	.811	1.630	1.563	2.000	.146
32	2.102	.157	1.469	.874	1.882	1.752	2.244	.169
36	2.346	.157	1.469	.874	2.063	1.937	2.500	.169

Millimeters

Shell Size	A + 0.00 - 0.15	K ± 0.2	L ± 0.3	M + 0.4 - 0.0	N Max.	R ± 0.1	S ± 0.3	T ¹ Metric Thread	T ² Thru Hole + 0.1 - 0.0
10SL	18.2	2.8	24.7	14.2	15.9	18.2	25.4	M4	3.2
14S	24.6	3.2	24.7	14.2	19.2	23.0	30.0	M4	3.2
16S	27.4	3.2	24.7	14.2	22.4	24.6	32.5	M4	3.2
16	27.4	3.2	33.8	19.0	22.4	24.6	32.5	M4	3.2
18	30.8	4.0	34.5	19.0	25.6	27.0	35.0	M4	3.2
20	34.2	4.0	34.5	19.0	29.0	29.4	38.0	M4	3.2
22	37.4	4.0	34.5	19.0	32.2	31.8	41.0	M4	3.2
24	40.9	4.0	35.7	20.6	35.3	34.9	44.5	M5	3.7
28	46.7	4.0	35.7	20.6	41.4	39.7	50.8	M5	3.7
32	53.4	4.0	37.3	22.2	47.8	44.5	57.0	M5	4.3
36	59.6	4.0	37.3	22.2	52.4	49.2	63.5	M5	4.3

All dimensions for reference only.

X-ON Electronics

Largest Supplier of Electrical and Electronic Components

Click to view similar products for [Circular MIL Spec Connector](#) category:

Click to view products by [Amphenol](#) manufacturer:

Other Similar products are found below :

[0025-262-542](#) [0025-264-3014](#) [58-570121-04S](#) [0134-202-1200](#) [0134-207-1206](#) [0134-207-1800](#) [0134-207-2207](#) [0134-213-0806](#) [0134-213-1007](#) [0134-213-1009](#) [0134-213-1208](#) [0134-213-1800](#) [0134-213-2209](#) [0025-258-000](#) [015-9516-002](#) [60-042722-19P](#) [0114-201-1278](#) [602GB06EG24-61SN](#) [0134-201-1207](#) [0134-201-1806](#) [0134-201-2006](#) [0134-201-2007](#) [0134-201-2010](#) [0134-202-1400](#) [0134-207-0809](#) [0134-207-1208](#) [0134-207-2009](#) [0134-213-1006](#) [6104-207-2302](#) [6104-208-1902](#) [6104-215-0902](#) [6131-202-19149P](#) [6131-204-21149P](#) [6131-207-13149P](#) [6131-208-13149P](#) [6131-209-17149P](#) [6131-210-11149P](#) [6131-211-19149P](#) [6131-216-19149P](#) [6131-220-25149P](#) [6131-259-11149P](#) [6131-259-21149P](#) [6131-259-23149P](#) [6131-263-19149P](#) [6131-265-17149P](#) [6131-265-19149P](#) [CS3102A-20-15P](#) [CS3102A-20-15S](#) [CS3102C18-4P-472](#) [CS3106A-20-29P](#)