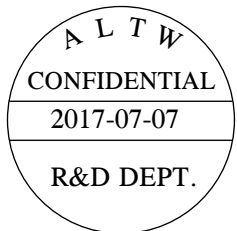
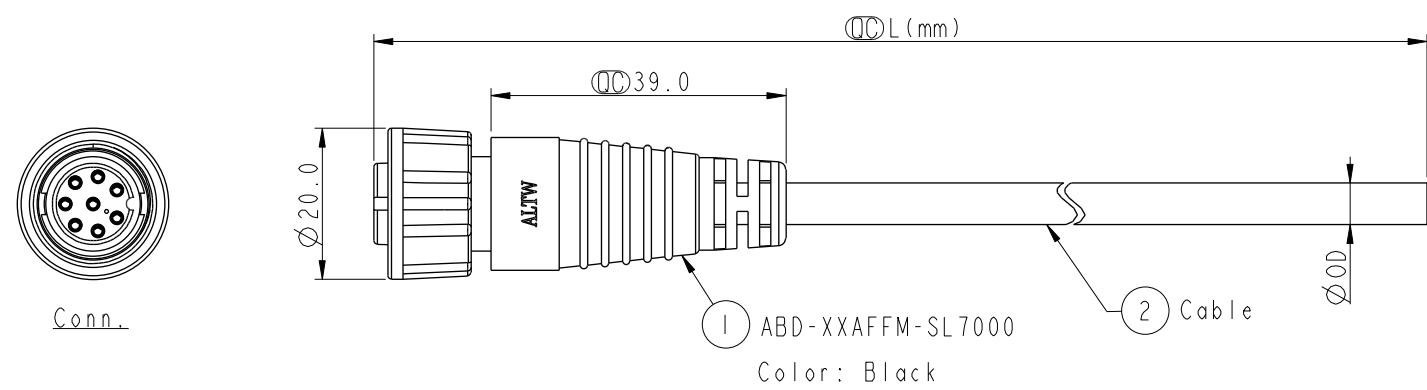


THIS DOCUMENT IS SUBJECT TO CHANGE WITHOUT NOTICE. IT IS CONFIDENTIAL AND A PROPERTY OF Amphenol LTW. DISCLOSURE TO THIRD PARTY HAS TO BE AUTHORIZED BY Amphenol LTW.

REV.	ECN NO.	DATE	SIGN	DESCRIPTION



ABD-~~XX~~AFFM-SL7A~~XX~~

02:2Pin  
:  
08:8Pin

XX :01~99Meters  
01 :01Meter  
02 :02Meters  
:  
99 :99Meters

Cable Length(L):01~99Meters

Note:

- \* (Ⓞ) Important Dimension To Check.
- \* Waterproof Rate: IP67
- \* Housing: Nylon+GF, Black.
- \* Female Pin: Copper Alloy, Gold Plated.
- \* Screw Nut: Nylon+GF, Black.
- \* O-Ring: Silicone, Gray
- \* Cable: UL2464 24AWG+D+AL/Wy  
PVC Jacket UV Resistant, Black.
- \* Cable Length Tolerance: 01M:40mm  
02M~05M:±60mm  
06M~10M:±100mm  
11M~30M:±200mm  
31M~99M:±500mm

8P	PVC	5.5	24	ABD-08AFFM-SL7A <del>XX</del>
7P		5.8		ABD-07AFFM-SL7A <del>XX</del>
6P		5.8		ABD-06AFFM-SL7A <del>XX</del>
5P		5.0		ABD-05AFFM-SL7A <del>XX</del>
4P		5.8		ABD-04AFFM-SL7A <del>XX</del>
3P		4.5		ABD-03AFFM-SL7A <del>XX</del>
2P		4.2		ABD-02AFFM-SL7A <del>XX</del>
Contacts		Cable Jacket		Cable OD

UNIT:mm		TITLE STANDARD CABLE SCREW F CONN F PIN		
TOLERANCE ±0.5mm		SCALE 1:1	SIZE A4	SHEET 1 OF 2
		REV. A	WC-REV. A.1	QC: Inspection item

**Amphenol LTW**  
安費諾亮泰企業股份有限公司

ITEM NO	DRAWN BY Ruru	DATE 2017-07-07
DWG NO ABD-XXAFFM-SL7A <del>XX</del>	CHECKED BY Rita	DATE 2017-07-07
CUSTOMER ALTW	APPROVED BY Max	DATE 2017-07-07

THIS DOCUMENT IS SUBJECT TO CHANGE WITHOUT NOTICE. IT IS CONFIDENTIAL AND A PROPERTY OF Amphenol LTW. DISCLOSURE TO THIRD PARTY HAS TO BE AUTHORIZED BY Amphenol LTW.

1 2 3 4 5 6 7 8

F

E

D

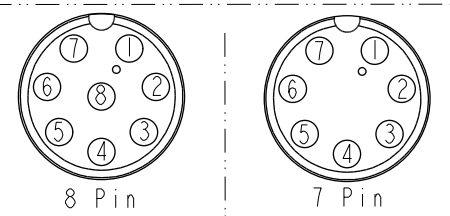
C

B

A

8	Green 綠	7	White 白
7	Yellow 黃	6	Green 綠
6	Orange 橙	5	Brown 棕
5	Red 紅	4	Red 紅
4	Blue 藍	3	Yellow 黃
3	White 白	2	Orange 橙
2	Brown 棕	1	Blue 藍
1	Black 黑		
	Pin # Wire		Pin # Wire

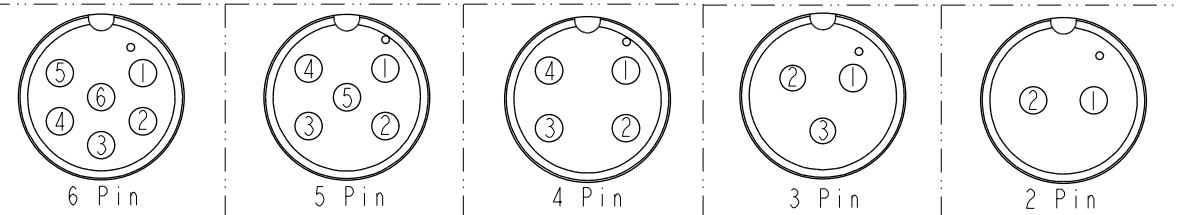
Pin Out



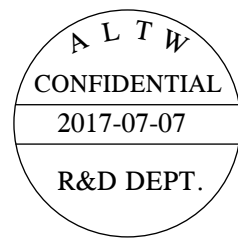
Pin Assignments Front View

6	White 白	5	Green 綠	4	Yellow 黃	3	Black 黑	2	Red 紅
5	Red 紅	4	White 白	3	Red 紅	2	Blue 藍	1	Black 黑
4	Orange 橙	3	Black 黑	2	Green 綠	1	Brown 棕		
3	Yellow 黃	2	Blue 藍	1	White 白				
2	Green 綠	1	Brown 棕						
1	Blue 藍								
	Pin # Wire		Pin # Wire		Pin # Wire		Pin # Wire		Pin # Wire

Pin Out



Pin Assignments Front View



UNIT:mm

TITLE STANDARD CABLE SCREW F CONN F PIN

**Amphenol LTW**

ITEM NO  
DWG NO ABD-XXAFFM-SL7AXX

DRAWN BY Ruru

DATE 2017-07-07

SCALE 1:1 SIZE A4 SHEET 2 OF 2

安費諾亮泰企業股份有限公司

CHECKED BY Rita

DATE 2017-07-07

REV. A WC-REV. A.1 Inspection item

APPROVED BY Max

DATE 2017-07-07

ALTW

1 2 3 4 5 6 7 8 FMM10702-01-02A1

## X-ON Electronics

Largest Supplier of Electrical and Electronic Components

*Click to view similar products for [Sensor Cables / Actuator Cables](#) category:*

*Click to view products by [Amphenol](#) manufacturer:*

Other Similar products are found below :

[60963](#) [60964](#) [M83513/19-F01CP](#) [703000D02F2002](#) [703000D02F300](#) [703001D02F1201](#) [704000D02F120](#) [802027213811-1](#) [84914-0235](#)  
[883030A09M050](#) [884031A09M005](#) [8R4006A18M010](#) [1200980008](#) [1200980031](#) [1211810021](#) [1400637](#) [1401201](#) [1401348](#) [1405278](#)  
[1408644/94F/8](#) [1455311](#) [1513981](#) [1550119](#) [1554212](#) [1R3006A20A120G](#) [1R4004A17A120](#) [1R4006A20A1202](#) [1R4006A39M005](#) [2289297-6](#)  
[8R3006A16A1203](#) [8R5E36E03M020](#) [2R7004A20F060](#) [301000A01F200](#) [301002A01F120](#) [2289297-1](#) [2289297-8](#) [2289297-9](#)  
[302000A01F120](#) [CONM6A-S2](#) [332021A01F200](#) [3R1006A20F030](#) [3R9006A20A1201](#) [403001A10M040](#) [4030P1A10M040](#) [41-01023](#)  
[MBCC-412](#) [1R3G06A20A120](#) [543031A10M010](#) [884030A09M100](#) [883033A09M020](#)