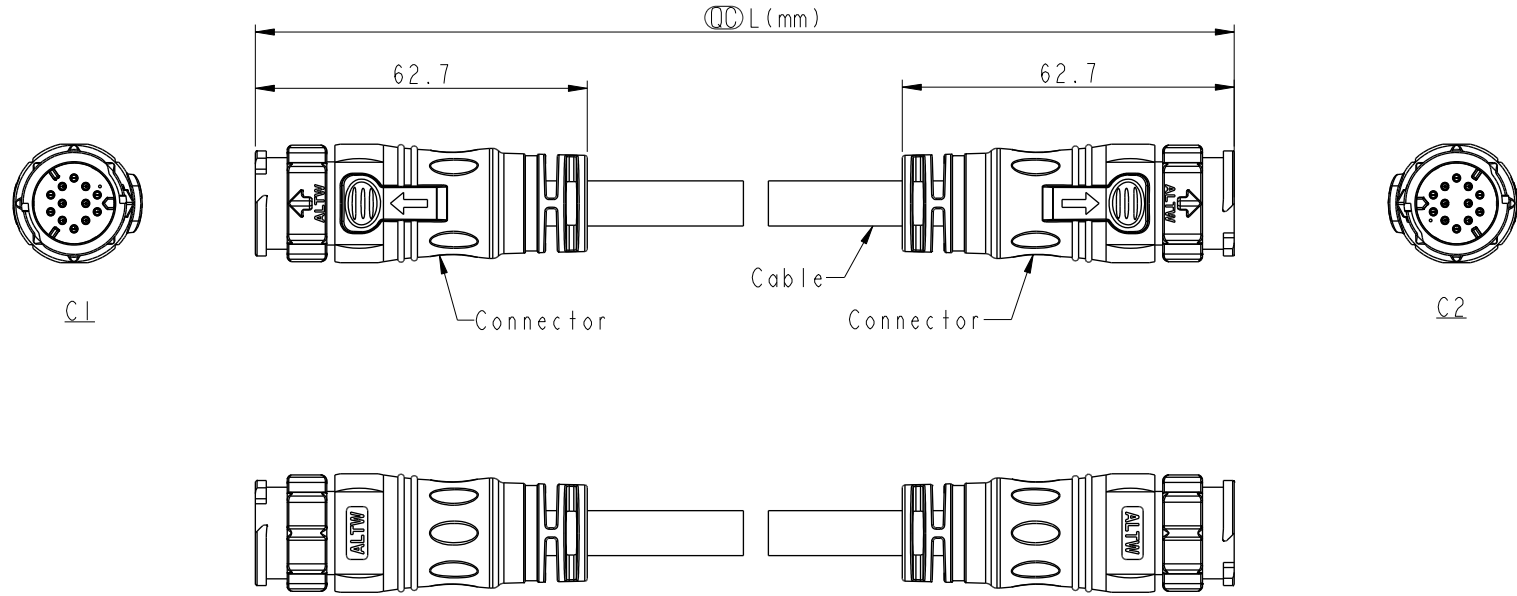


THIS DOCUMENT IS SUBJECT TO CHANGE WITHOUT NOTICE. IT IS CONFIDENTIAL AND A PROPERTY OF AMPHENOL LTW. DISCLOSURE TO THIRD PARTY HAS TO BE AUTHORIZED BY AMPHENOL LTW.

REV.	ECN NO.	DATE	SIGN	DESCRIPTION
A		2020/01/09	Ruru	Initial Released
B	C220463	2022/03/30	Ruru	$\triangle B$ X2
C	C230118	2023/02/08	Vicky	$\triangle C$ X1



- Note:  $\triangle B$
- \* RoHS Compliant
  - \*  $\odot$  Important dimension
  - $\triangle C$  \* Waterproof rate: IP68, mated 1m/24h
  - \* Connector
  - Housing: Thermoplastic, Black
  - Pin: Copper Alloy, Gold Plated
  - Outer mold: Thermoplastic, Black
  - \* Cable: UL21388, PVC Jacket, Black
  - \* Cable length tolerance:  $0.5M < L \leq 1M$ : +60/-0 mm
  - $1M < L \leq 3M$ : +120/-0 mm
  - $3M < L \leq 5M$ : +160/-0 mm
  - $5M < L \leq 10M$ :  $\pm 100$  mm
  - $10M < L \leq 20M$ :  $\pm 200$  mm
  - $20M < L \leq 30M$ :  $\pm 300$  mm
  - $30M < L \leq 99M$ :  $\pm 500$  mm

UNIT:mm			TITLE ACC, XLOK, C-5A, DB-ENDED MM
TOLERANCE $\pm 0.5$ mm	SCALE 1:2	SIZE A4	SHEET 1 OF 2
REV. C	WC-REV.	$\odot$ : Inspection item	

**Amphenol LTW**  
安費諾亮泰企業股份有限公司

ITEM NO.	DRAWN BY Ruru	DATE 2020-01-09
DWG NO. AB-CDXXML-CDML-QDXXX	CHECKED BY Rita	DATE 2020-01-09
CUSTOMER ALTW	APPROVED BY Max	DATE 2020-01-09

THIS DOCUMENT IS SUBJECT TO CHANGE WITHOUT NOTICE. IT IS CONFIDENTIAL AND A PROPERTY OF AMPHENOL LTW. DISCLOSURE TO THIRD PARTY HAS TO BE AUTHORIZED BY AMPHENOL LTW.

12P	PVC	8.5	20	AB-CD12ML-CDML-QDXXX
10P		8.5		AB-CD10ML-CDML-QDXXX
9P		7.6		AB-CD09ML-CDML-QDXXX
8P		7.2		AB-CD08ML-CDML-QDXXX
7P		6.8		AB-CD07ML-CDML-QDXXX
Contacts	Cable Jacket	Cable OD	AWG	Item No.

AB- CD XX M L - CD M L - Q D XXX



XX: No. Of Pin

XXX: 0.5~99Meters  
 A05: 0.5 Meter  
 001: 01 Meter  
 002: 02 Meters  
 :  
 099: 99 Meters

Pin Out	Wire	Pin #	Wire	Pin #	Wire	Pin #	Wire	Pin #	Wire	Pin #	Wire
7	Orange 橙	8	Green 綠	9	Brown 棕	10	White 白	12	Light Green 淡綠		
6	Blue 藍	7	Orange 橙	8	Green 綠	9	Gray 灰	11	Pink 粉紅		
8	Green 綠	6	Blue 藍	7	Orange 橙	8	Purple 紫	10	White 白		
4	Yellow 黃	5	Purple 紫	6	Blue 藍	7	Blue 藍	9	Gray 灰		
3	Black 黑	4	Yellow 黃	5	Purple 紫	6	Green 綠	8	Purple 紫		
2	Red 紅	3	Black 黑	4	Yellow 黃	5	Yellow 黃	7	Blue 藍		
1	Brown 棕	2	Red 紅	3	Black 黑	4	Orange 橙	6	Green 綠		
		1	Brown 棕	2	Red 紅	3	Red 紅	5	Yellow 黃		
				1	Gray 灰	2	Brown 棕	4	Orange 橙		
							1	Black 黑	3	Red 紅	
									2	Brown 棕	
									1	Black 黑	

CI & C2	Diagram	Pin #	Wire
		7P	
		8P	
		9P	
		10P	
		12P	

Pin Assignments Front View

UNIT:mm	
TOLERANCE	± 0.5 mm

TITLE ACC, XLOK, C-5A, DB-ENDED MM		
SCALE 1:2	SIZE A4	SHEET 2 OF 2
REV. C	WC-REV.	QC: Inspection item

**Amphenol LTW**  
 安費諾亮泰企業股份有限公司

ITEM NO	DRAWN BY Ruru	DATE 2020-01-09
DWG NO AB-CDXXML-CDML-QDXXX	CHECKED BY Rita	DATE 2020-01-09
CUSTOMER ALTW	APPROVED BY Max	DATE 2020-01-09

## X-ON Electronics

Largest Supplier of Electrical and Electronic Components

*Click to view similar products for [Sensor Cables / Actuator Cables](#) category:*

*Click to view products by [Amphenol](#) manufacturer:*

Other Similar products are found below :

[60963](#) [60964](#) [M83513/19-F01CP](#) [703000D02F2002](#) [703000D02F300](#) [703001D02F1201](#) [704000D02F120](#) [802027213811-1](#) [84914-0235](#)  
[883030A09M050](#) [884031A09M005](#) [8R4006A18M010](#) [1200980008](#) [1200980031](#) [1211810021](#) [1400637](#) [1401201](#) [1401348](#) [1405278](#)  
[1408644/94F/8](#) [1455311](#) [1513981](#) [1550119](#) [1554212](#) [1R3006A20A120G](#) [1R4004A17A120](#) [1R4006A20A1202](#) [1R4006A39M005](#) [2289297-6](#)  
[8R3006A16A1203](#) [8R5E36E03M020](#) [2R7004A20F060](#) [301000A01F200](#) [301002A01F120](#) [2289297-1](#) [2289297-8](#) [2289297-9](#)  
[302000A01F120](#) [CONM6A-S2](#) [332021A01F200](#) [3R1006A20F030](#) [3R9006A20A1201](#) [403001A10M040](#) [4030P1A10M040](#) [41-01023](#)  
[MBCC-412](#) [1R3G06A20A120](#) [543031A10M010](#) [884030A09M100](#) [883033A09M020](#)