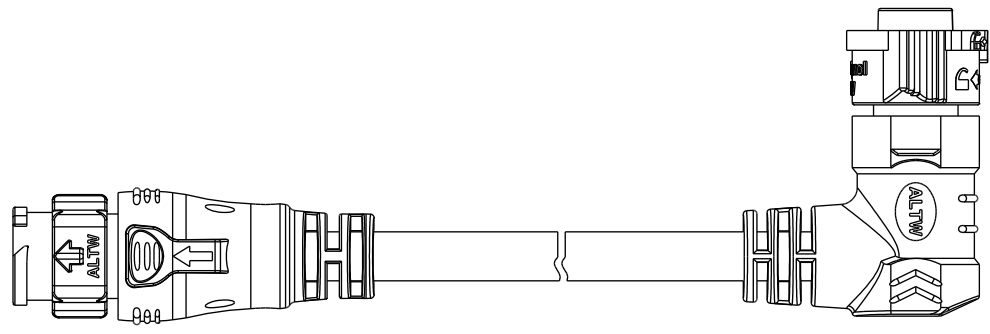
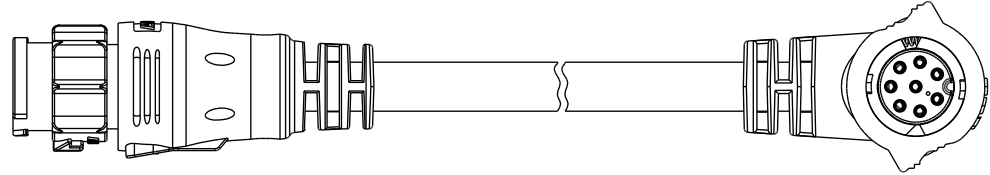
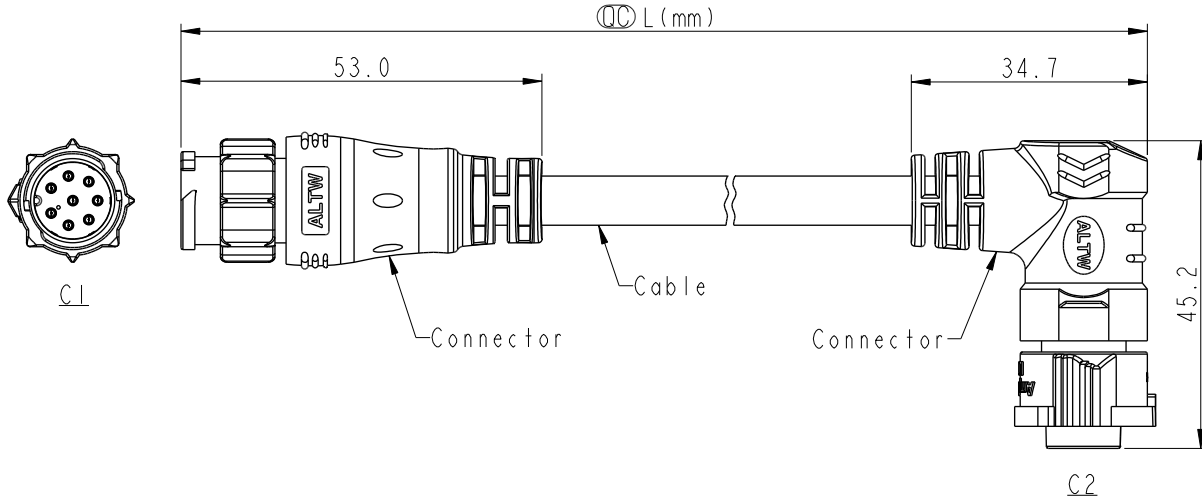


THIS DOCUMENT IS SUBJECT TO CHANGE WITHOUT NOTICE. IT IS CONFIDENTIAL AND A PROPERTY OF AMPHENOL LTW. DISCLOSURE TO THIRD PARTY HAS TO BE AUTHORIZED BY AMPHENOL LTW.

REV.	ECN NO.	DATE	SIGN	DESCRIPTION
A		2020/01/20	Vicky	Initial Released
B	C220473	2022/03/28	Vicky	$\triangle B$ X2
C	C230134	2023/02/10	Ruru	$\triangle C$ X2



- Note:
- \* RoHS Compliant
  - \*  $\odot$  Important dimension
  - \* C1
  - $\triangle C$  Waterproof rate: IP68, mated 1m/24h  
Housing: Thermoplastic, Black  
Pin: Copper alloy, Gold plated  
Outer Mold: Thermoplastic, Black
  - \* C2
  - $\triangle C$  Waterproof rate: IP68, mated 1m/24h  
Housing: Thermoplastic, Black  
Pin: Copper alloy, Gold plated  
O-Ring: Rubber, Dark gray  
Nut: Thermoplastic, Black  
Outer Mold: Thermoplastic, Black
  - \* Cable: UL21388, PVC Jacket, Black
  - \* Cable length tolerance:
 

0.5M < L ≤ 1M	: +60/-0 mm
1M < L ≤ 3M	: +120/-0 mm
3M < L ≤ 5M	: +160/-0 mm
5M < L ≤ 10M	: ±100 mm
10M < L ≤ 20M	: ±200 mm
20M < L ≤ 30M	: ±300 mm
30M < L ≤ 99M	: ±500 mm

UNIT: mm	$\odot$	$\nabla$	TITLE	ACC, XLOK, B-5A, DB-ENDED MF
TOLERANCE	$\pm 0.5mm$		SCALE	1:2
			SIZE	A4
			SHEET	1 OF 2
			REV.	C
			WC-REV.	A.5
			$\odot$	Inspection item

**Amphenol LTW**  
安費諾亮泰企業股份有限公司

ITEM NO.	DRAWN BY	DATE
	Vicky	2020-01-20
DWG NO.	CHECKED BY	DATE
AB-BDXXML-BDFR-QDXXX	Rita	2020-01-20
CUSTOMER	APPROVED BY	DATE
ALTW	Max	2020-01-20

THIS DOCUMENT IS SUBJECT TO CHANGE WITHOUT NOTICE. IT IS CONFIDENTIAL AND A PROPERTY OF Amphenol LTW. DISCLOSURE TO THIRD PARTY HAS TO BE AUTHORIZED BY Amphenol LTW.

F	<p style="text-align: center;">AB-BD XX ML-BDFR-QD XXX</p> <p>△ XX: No. Of Pin      XXX: 0.5~99Meters          A05: 0.5 Meter          001: 01 Meter          002: 02 Meters          :          099: 99 Meters</p>				<table border="1" style="width: 100%; border-collapse: collapse;"> <tr><td>8P</td><td rowspan="7" style="text-align: center;">PVC</td><td>7.2</td><td rowspan="7" style="text-align: center;">20</td><td>AB-BD08ML-BDFR-QDXXX</td></tr> <tr><td>7P</td><td>6.8</td><td>AB-BD07ML-BDFR-QDXXX</td></tr> <tr><td>6P</td><td>6.8</td><td>AB-BD06ML-BDFR-QDXXX</td></tr> <tr><td>5P</td><td>6.2</td><td>AB-BD05ML-BDFR-QDXXX</td></tr> <tr><td>4P</td><td>6.0</td><td>AB-BD04ML-BDFR-QDXXX</td></tr> <tr><td>3P</td><td>5.5</td><td>AB-BD03ML-BDFR-QDXXX</td></tr> <tr><td>2P</td><td>5.5</td><td>AB-BD02ML-BDFR-QDXXX</td></tr> <tr><td>Contacts</td><td>Cable Jacket</td><td>Cable OD</td><td>AWG</td><td>Item No.</td></tr> </table>	8P	PVC	7.2	20	AB-BD08ML-BDFR-QDXXX	7P	6.8	AB-BD07ML-BDFR-QDXXX	6P	6.8	AB-BD06ML-BDFR-QDXXX	5P	6.2	AB-BD05ML-BDFR-QDXXX	4P	6.0	AB-BD04ML-BDFR-QDXXX	3P	5.5	AB-BD03ML-BDFR-QDXXX	2P	5.5	AB-BD02ML-BDFR-QDXXX	Contacts	Cable Jacket	Cable OD	AWG	Item No.
8P	PVC	7.2	20	AB-BD08ML-BDFR-QDXXX																													
7P		6.8		AB-BD07ML-BDFR-QDXXX																													
6P		6.8		AB-BD06ML-BDFR-QDXXX																													
5P		6.2		AB-BD05ML-BDFR-QDXXX																													
4P		6.0		AB-BD04ML-BDFR-QDXXX																													
3P		5.5		AB-BD03ML-BDFR-QDXXX																													
2P		5.5		AB-BD02ML-BDFR-QDXXX																													
Contacts	Cable Jacket	Cable OD	AWG	Item No.																													

D	<p>Pin Out</p> <table border="1" style="width: 100%; border-collapse: collapse;"> <tr> <td>2 Brown 1 Black</td> <td>3 Red 2 Brown 1 Black</td> <td>4 Orange 3 Red 2 Brown 1 Black</td> <td>5 Yellow 4 Orange 3 Red 2 Brown 1 Black</td> <td>6 Green 5 Yellow 4 Orange 3 Red 2 Brown 1 Black</td> <td>7 Blue 6 Green 5 Yellow 4 Orange 3 Red 2 Brown 1 Black</td> <td>8 Purple 7 Blue 6 Green 5 Yellow 4 Orange 3 Red 2 Brown 1 Black</td> </tr> <tr> <td>Pin #</td> <td>Wire</td> <td>Pin #</td> <td>Wire</td> <td>Pin #</td> <td>Wire</td> <td>Pin #</td> <td>Wire</td> </tr> </table>				2 Brown 1 Black	3 Red 2 Brown 1 Black	4 Orange 3 Red 2 Brown 1 Black	5 Yellow 4 Orange 3 Red 2 Brown 1 Black	6 Green 5 Yellow 4 Orange 3 Red 2 Brown 1 Black	7 Blue 6 Green 5 Yellow 4 Orange 3 Red 2 Brown 1 Black	8 Purple 7 Blue 6 Green 5 Yellow 4 Orange 3 Red 2 Brown 1 Black	Pin #	Wire	Pin #	Wire	Pin #	Wire	Pin #	Wire
2 Brown 1 Black	3 Red 2 Brown 1 Black	4 Orange 3 Red 2 Brown 1 Black	5 Yellow 4 Orange 3 Red 2 Brown 1 Black	6 Green 5 Yellow 4 Orange 3 Red 2 Brown 1 Black	7 Blue 6 Green 5 Yellow 4 Orange 3 Red 2 Brown 1 Black	8 Purple 7 Blue 6 Green 5 Yellow 4 Orange 3 Red 2 Brown 1 Black													
Pin #	Wire	Pin #	Wire	Pin #	Wire	Pin #	Wire												
C																			
B	<p style="text-align: center;">Pin Assignments Front View</p>																		

UNIT: mm		TITLE ACC, XLOK, B-5A, DB-ENDED MF	<h1>Amphenol LTW</h1>	ITEM NO	DRAWN BY Vicky	DATE 2020-01-20
TOLERANCE ±0.5mm	SCALE 1:2	SIZE A4	<h2>安費諾亮泰企業股份有限公司</h2>	DWG NO AB-BDXXML-BDFR-QDXXX	CHECKED BY Rita	DATE 2020-01-20
	REV. C	WC-REV. A.5	◎: Inspection item	CUSTOMER ALTW	APPROVED BY Max	DATE 2020-01-20

## X-ON Electronics

Largest Supplier of Electrical and Electronic Components

*Click to view similar products for [Sensor Cables / Actuator Cables](#) category:*

*Click to view products by [Amphenol](#) manufacturer:*

Other Similar products are found below :

[60963](#) [60964](#) [M83513/19-F01CP](#) [703000D02F2002](#) [703000D02F300](#) [703001D02F1201](#) [704000D02F120](#) [802027213811-1](#) [84914-0235](#)  
[883030A09M050](#) [884031A09M005](#) [8R4006A18M010](#) [1200980008](#) [1200980031](#) [1211810021](#) [1400637](#) [1401201](#) [1401348](#) [1405278](#)  
[1408644/94F/8](#) [1455311](#) [1513981](#) [1550119](#) [1554212](#) [1R3006A20A120G](#) [1R4004A17A120](#) [1R4006A20A1202](#) [1R4006A39M005](#) [2289297-6](#)  
[8R3006A16A1203](#) [8R5E36E03M020](#) [2R7004A20F060](#) [301000A01F200](#) [301002A01F120](#) [2289297-1](#) [2289297-8](#) [2289297-9](#)  
[302000A01F120](#) [CONM6A-S2](#) [332021A01F200](#) [3R1006A20F030](#) [3R9006A20A1201](#) [403001A10M040](#) [4030P1A10M040](#) [41-01023](#)  
[MBCC-412](#) [1R3G06A20A120](#) [543031A10M010](#) [884030A09M100](#) [883033A09M020](#)