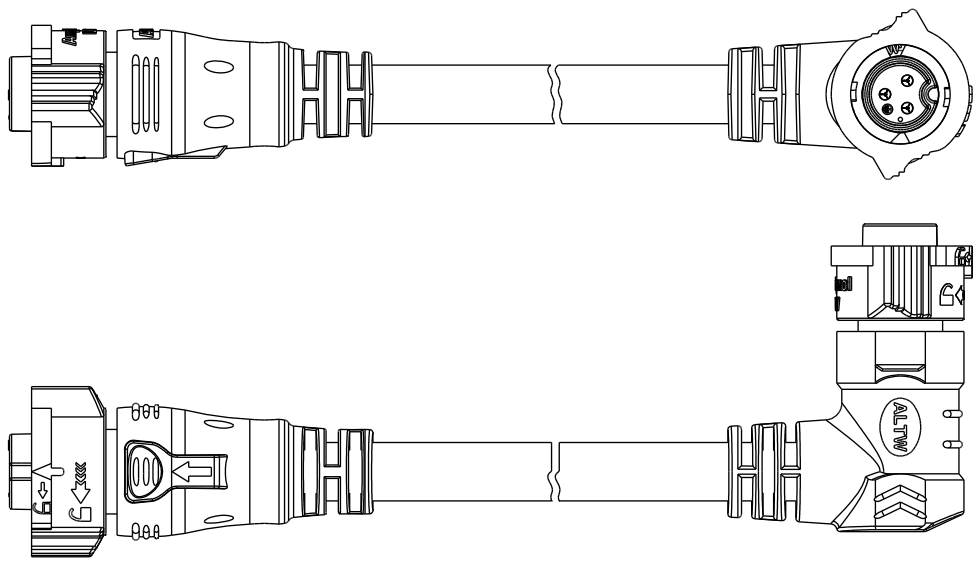
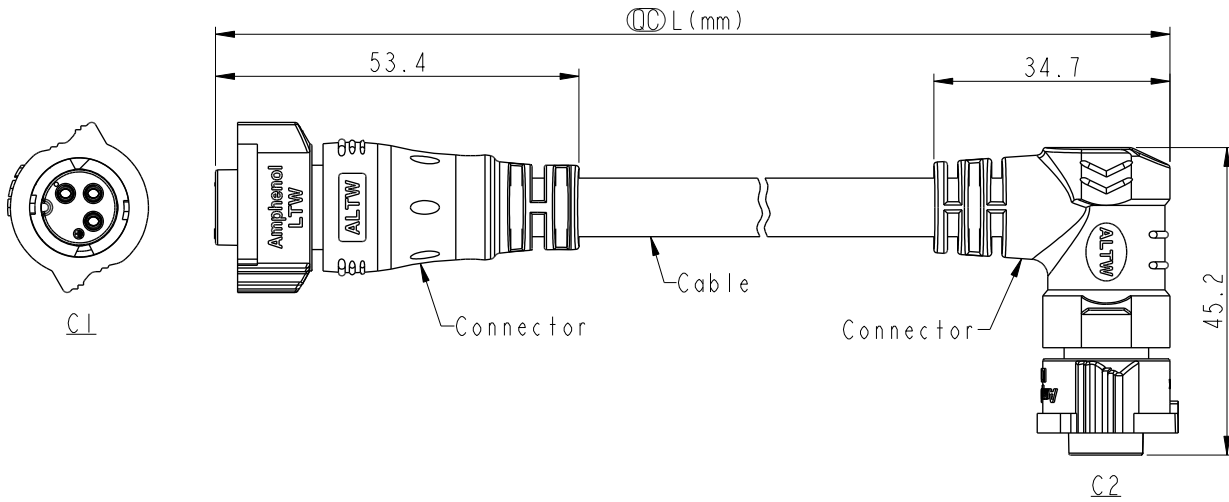


REV.	ECN NO.	DATE	SIGN	DESCRIPTION
B	C220468	2022/03/25	Vicky	$\triangle B$ X2
C	C221118	2022/07/26	Vicky	$\triangle C$ X2
D	C230128	2023/02/09	Ruru	$\triangle D$ X2



- Note:
- \* RoHS Compliant
  - \*  $\text{\textcircled{C}}$  Important dimension
  - \* C1
  - $\triangle D$  Waterproof rate: IP68, mated 1m/24h  
Housing: Thermoplastic, Black  
Pin: Copper alloy, Gold plated  
O-Ring: Rubber, Dark gray  
Nut: Thermoplastic, Black  
Outer Mold: Thermoplastic, Black
  - \* C2
  - $\triangle D$  Waterproof rate: IP68, mated 1m/24h  
Housing: Thermoplastic, Black  
Pin: Copper alloy, Gold plated  
O-Ring: Rubber, Dark gray  
Nut: Thermoplastic, Black  
Outer Mold: Thermoplastic, Black
  - \* Cable: SJTW, PVC Jacket, Black
  - \* Cable length tolerance: 0.5M < L  $\leq$  1M: +60/-0 mm  
1M < L  $\leq$  3M: +120/-0 mm  
3M < L  $\leq$  5M: +160/-0 mm  
5M < L  $\leq$  10M:  $\pm$ 100 mm  
10M < L  $\leq$  20M:  $\pm$ 200 mm  
20M < L  $\leq$  30M:  $\pm$ 300 mm  
30M < L  $\leq$  99M:  $\pm$ 500 mm

UNIT: mm		TITLE	ACC, XLOK, B-10A, DB-ENDED FF		
TOLERANCE	$\pm 0.5\text{mm}$	SCALE	1:2	SIZE	A4
		REV.	D	WC-REV.	A.5
			$\text{\textcircled{C}}$ : Inspection item	SHEET	1 OF 2

**Amphenol LTW**  
安費諾亮泰企業股份有限公司

ITEM NO	DRAWN BY	DATE
	Vicky	2020-01-20
DWG NO	CHECKED BY	DATE
AB-BBXXFL-BBBR-QEXXX	Rita	2020-01-20
CUSTOMER	APPROVED BY	DATE
ALTW	Max	2020-01-20

THIS DOCUMENT IS SUBJECT TO CHANGE WITHOUT NOTICE. IT IS CONFIDENTIAL AND A PROPERTY OF Amphenol LTW. DISCLOSURE TO THIRD PARTY HAS TO BE AUTHORIZED BY Amphenol LTW.

THIS DOCUMENT IS SUBJECT TO CHANGE WITHOUT NOTICE. IT IS CONFIDENTIAL AND A PROPERTY OF Amphenol LTW. DISCLOSURE TO THIRD PARTY HAS TO BE AUTHORIZED BY Amphenol LTW.

3P	PVC	8.6	16	AB-BB03FL-BBBR-QEXXX
2P		8.2		AB-BB02FL-BBBR-QEXXX
Contacts	Cable Jacket	Cable OD	AWG	Item No.

AB-BB XX FL-BBBR-QE XXX

△ XX: No. Of Pin

XXX: 0.5~99Meters  
 A05: 0.5 Meter  
 001: 01 Meter  
 002: 02 Meters  
 :  
 099: 99 Meters

Pin Out	2 White 1 Black	白 黑	3 Green 2 White 1 Black	綠 白 黑
	Pin #	Wire	Pin #	Wire
C2				
C1				

Pin Assignments Front View

UNIT:mm		TITLE	ACC, XLOK, B-10A, DB-ENDED FF	
TOLERANCE	±0.5mm	SCALE	1:2	SIZE A4
		REV.	D	WC-REV. A.5
				SHEET 2 OF 2
				QC: Inspection item

**Amphenol LTW**  
 安費諾亮泰企業股份有限公司

ITEM NO	DRAWN BY	DATE
DWG NO	CHECKED BY	DATE
CUSTOMER	APPROVED BY	DATE
ALTW	Vicky Rita Max	2020-01-20 2020-01-20 2020-01-20

## X-ON Electronics

Largest Supplier of Electrical and Electronic Components

*Click to view similar products for [Sensor Cables / Actuator Cables](#) category:*

*Click to view products by [Amphenol](#) manufacturer:*

Other Similar products are found below :

[60963](#) [60964](#) [M83513/19-F01CP](#) [703000D02F2002](#) [703000D02F300](#) [703001D02F1201](#) [704000D02F120](#) [802027213811-1](#) [84914-0235](#)  
[883030A09M050](#) [884031A09M005](#) [8R4006A18M010](#) [1200980008](#) [1200980031](#) [1211810021](#) [1400637](#) [1401201](#) [1401348](#) [1405278](#)  
[1408644/94F/8](#) [1455311](#) [1513981](#) [1550119](#) [1554212](#) [1R3006A20A120G](#) [1R4004A17A120](#) [1R4006A20A1202](#) [1R4006A39M005](#) [2289297-6](#)  
[8R3006A16A1203](#) [8R5E36E03M020](#) [2R7004A20F060](#) [301000A01F200](#) [301002A01F120](#) [2289297-1](#) [2289297-8](#) [2289297-9](#)  
[302000A01F120](#) [CONM6A-S2](#) [332021A01F200](#) [3R1006A20F030](#) [3R9006A20A1201](#) [403001A10M040](#) [4030P1A10M040](#) [41-01023](#)  
[MBCC-412](#) [1R3G06A20A120](#) [543031A10M010](#) [884030A09M100](#) [883033A09M020](#)