

THIS DOCUMENT IS SUBJECT TO CHANGE WITHOUT NOTICE. IT IS CONFIDENTIAL AND A PROPERTY OF Amphenol LTW. DISCLOSURE TO THIRD PARTY HAS TO BE AUTHORIZED BY Amphenol LTW.

REV.	ECN NO.	DATE	SIGN	DESCRIPTION

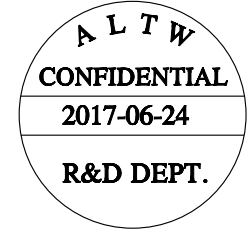
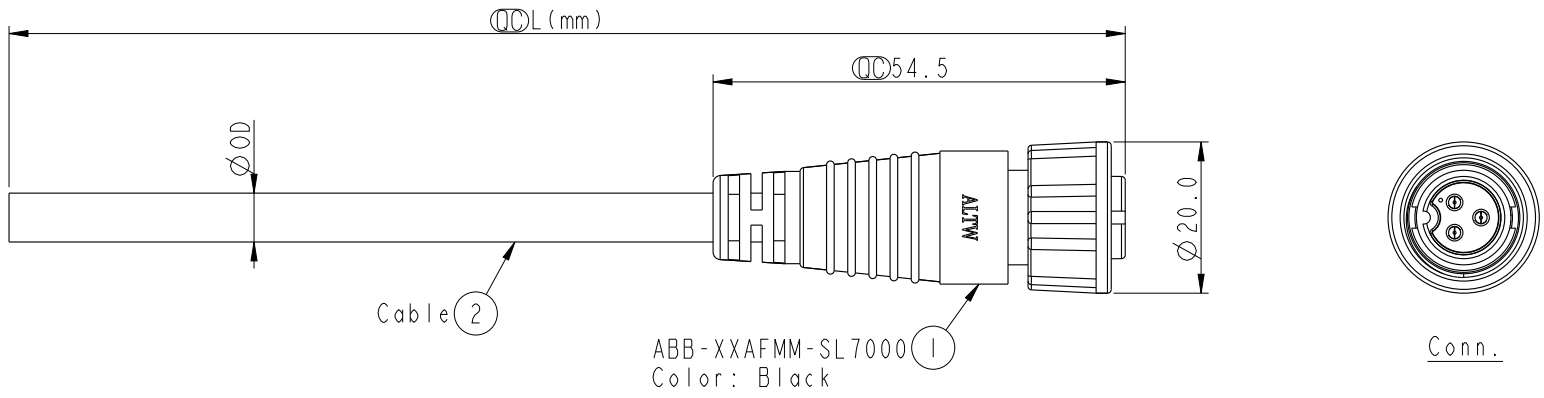
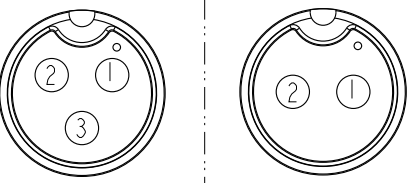


ABB-XXAFMM-SL7AXX
 02: 2Pin
 ...
 03: 3Pin
 XX : 01~99Meters
 01 : 01Meter
 02 : 02Meters
 ...
 99 : 99Meters
 Cable Length(L): 01~99Meters

3 Yellow 黃	2 Red 紅
2 White 白	1 Green 綠
1 Black 黑	
Pin # Wire	Pin # Wire



Note:
 * \varnothing Important Dimension To Check.
 * Waterproof Rate: IP67
 * Housing: Nylon+GF, Black.
 * Male Pin: Copper Alloy, Gold Plated.
 * Cable: UL2464 20AWG+D+AL/My
 PVC Jacket UV Resistant, Black.
 * Cable Length Tolerance: 01M: 40mm
 02M~05M: ±60mm
 06M~10M: ±100mm
 11M~30M: ±200mm
 31M~99M: ±500mm

3P	PVC	5.0	20	ABB-03AFMM-SL7AXX
2P		5.8		ABB-02AFMM-SL7AXX
Contacts	Cable Jacket	Cable OD	AWG	Item No.

UNIT: mm
 TOLERANCE ±0.5

TITLE STANDARD CABLE SCREW F CONN M PIN			
SCALE 1:2	SIZE A4	SHEET 1 OF 1	
REV. A	WC-REV. A.1	\varnothing : Inspection item	

Amphenol LTW
 安費諾亮泰企業股份有限公司

ITEM NO.	DRAWN BY Mafei	DATE 2017-06-24
DWG NO. ABB-XXAFMM-SL7AXX	CHECKED BY Jerry	DATE 2017-06-24
CUSTOMER ALTW	APPROVED BY Max	DATE 2017-06-24

X-ON Electronics

Largest Supplier of Electrical and Electronic Components

Click to view similar products for [Sensor Cables / Actuator Cables](#) category:

Click to view products by [Amphenol](#) manufacturer:

Other Similar products are found below :

[60963](#) [60964](#) [M83513/19-F01CP](#) [703000D02F2002](#) [703000D02F300](#) [703001D02F1201](#) [704000D02F120](#) [802027213811-1](#) [84914-0235](#)
[883030A09M050](#) [884031A09M005](#) [8R4006A18M010](#) [1200980008](#) [1200980031](#) [1211810021](#) [1400637](#) [1401201](#) [1401348](#) [1405278](#)
[1408644/94F/8](#) [1455311](#) [1513981](#) [1550119](#) [1554212](#) [1R3006A20A120G](#) [1R4004A17A120](#) [1R4006A20A1202](#) [1R4006A39M005](#) [2289297-6](#)
[8R3006A16A1203](#) [8R5E36E03M020](#) [2R7004A20F060](#) [301000A01F200](#) [301002A01F120](#) [2289297-1](#) [2289297-8](#) [2289297-9](#)
[302000A01F120](#) [CONM6A-S2](#) [332021A01F200](#) [3R1006A20F030](#) [3R9006A20A1201](#) [403001A10M040](#) [4030P1A10M040](#) [41-01023](#)
[MBCC-412](#) [1R3G06A20A120](#) [543031A10M010](#) [884030A09M100](#) [883033A09M020](#)