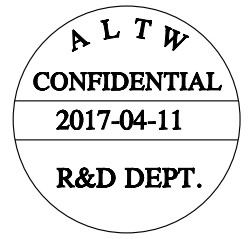
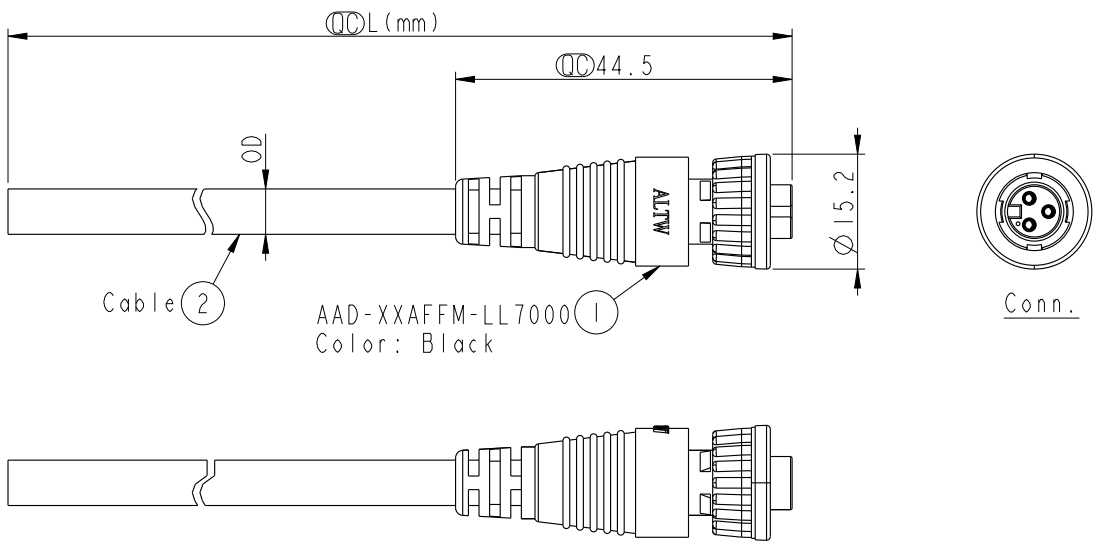


THIS DOCUMENT IS SUBJECT TO CHANGE WITHOUT NOTICE. IT IS CONFIDENTIAL AND A PROPERTY OF AMPHENOL LTW. DISCLOSURE TO THIRD PARTY HAS TO BE AUTHORIZED BY AMPHENOL LTW.

REV.	ECN NO.	DATE	SIGN	DESCRIPTION
A	Initial Release	2017/04/11	Mafei	Change Revision From 01 To A

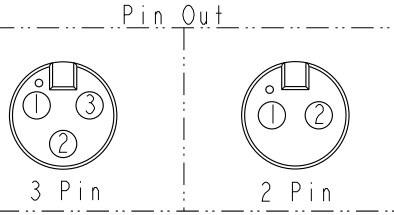


AAD-XXAFFM-LL7AXX

02: 2Pin	XX : 01~99Meters
03: 3Pin	01 : 01Meter
	02 : 02Meters
	...
	99 : 99Meters

- Note:
- \*  $\varnothing$  Important Dimension To Check.
  - \* Waterproof Rate: IP67
  - \* Housing: Nylon+GF, Black.
  - \* Female Pin: Copper Alloy, Gold Plated.
  - \* Cable: UL2464 24AWG+D+AL/Wy PVC Jacket UV Resistant, Black.
  - \* Cable Length Tolerance: 01M: 40mm  
02M~05M: ±60mm  
06M~10M: ±100mm  
11M~30M: ±200mm  
31M~99M: ±500mm

3 Black	2 Red
2 Blue	1 Black
1 Brown	
Pin # Wire	Pin # Wire



3P	PVC	4.5	24	AAD-03AFFM-LL7AXX
2P		4.2		AAD-02AFFM-LL7AXX
Contacts	Cable Jacket	Cable OD	AWG	Item No.

UNIT: mm

TOLERANCE ±0.50mm

TITLE MINI CABLE LOCK F CONN F PIN			
SCALE 1:1	SIZE A4	SHEET 1 OF 1	
REV. A	WC-REV. A.1	$\varnothing$ : Inspection item	

**Amphenol LTW**  
安費諾亮泰企業股份有限公司

ITEM NO.	DRAWN BY Mafei	DATE 2017-04-11
DWG NO. AAD-XXAFFM-LL7AXX	CHECKED BY Jerry	DATE 2017-04-11
CUSTOMER ALTW	APPROVED BY Max	DATE 2017-04-11

## X-ON Electronics

Largest Supplier of Electrical and Electronic Components

*Click to view similar products for [Sensor Cables / Actuator Cables](#) category:*

*Click to view products by [Amphenol](#) manufacturer:*

Other Similar products are found below :

[60963](#) [60964](#) [M83513/19-F01CP](#) [703000D02F2002](#) [703000D02F300](#) [703001D02F1201](#) [704000D02F120](#) [802027213811-1](#) [84914-0235](#)  
[883030A09M050](#) [884031A09M005](#) [8R4006A18M010](#) [1200980008](#) [1200980031](#) [1211810021](#) [1400637](#) [1401201](#) [1401348](#) [1405278](#)  
[1408644/94F/8](#) [1455311](#) [1513981](#) [1550119](#) [1554212](#) [1R3006A20A120G](#) [1R4004A17A120](#) [1R4006A20A1202](#) [1R4006A39M005](#) [2289297-6](#)  
[8R3006A16A1203](#) [8R5E36E03M020](#) [2R7004A20F060](#) [301000A01F200](#) [301002A01F120](#) [2289297-1](#) [2289297-8](#) [2289297-9](#)  
[302000A01F120](#) [CONM6A-S2](#) [332021A01F200](#) [3R1006A20F030](#) [3R9006A20A1201](#) [403001A10M040](#) [4030P1A10M040](#) [41-01023](#)  
[MBCC-412](#) [1R3G06A20A120](#) [543031A10M010](#) [884030A09M100](#) [883033A09M020](#)