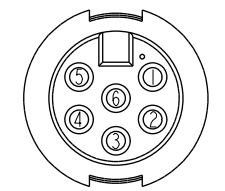
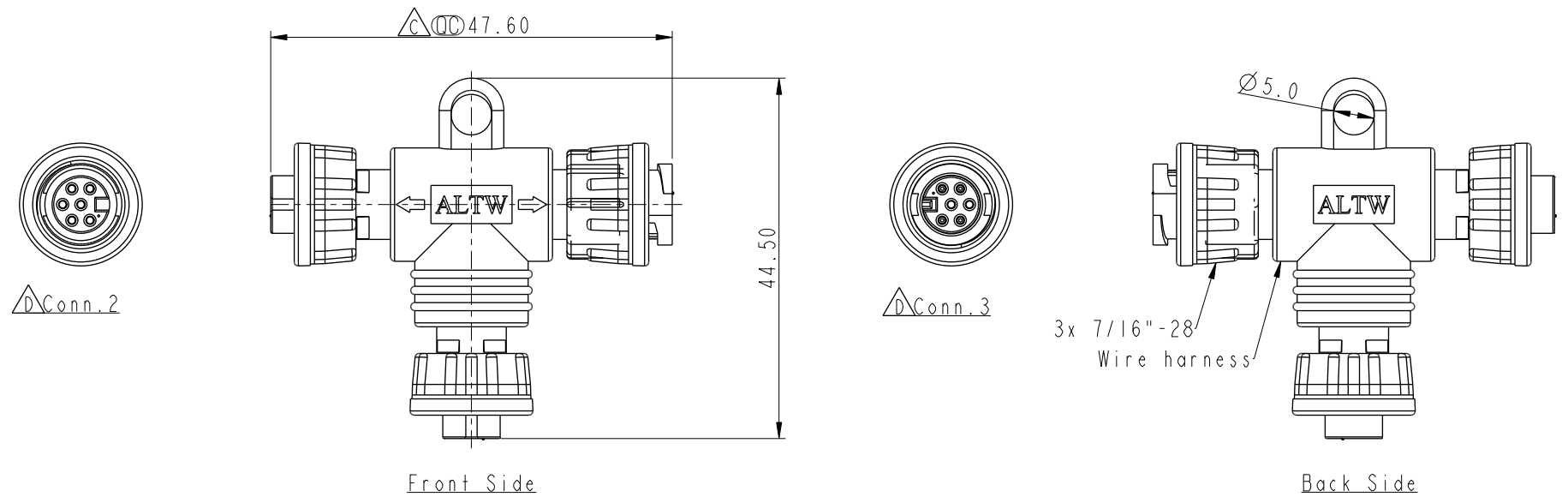


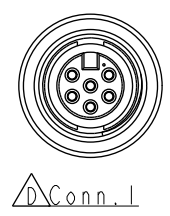
THIS DOCUMENT IS SUBJECT TO CHANGE WITHOUT NOTICE. IT IS CONFIDENTIAL AND A PROPERTY OF AMPHENOL LTW. DISCLOSURE TO THIRD PARTY HAS TO BE AUTHORIZED BY AMPHENOL LTW.

REV.	ECN NO.	DATE	SIGN	DESCRIPTION
B	C192203	2020/01/17	Fu	△B XI
C	C221704	2022/10/24	Zhi Cheng	△C XI
D	C230552	2023/05/04	Ruru	△D X7



C1 & C2 & C3
Pin Assignments
Front View

6	Gray	灰
5	Yellow	黃
4	Green	綠
3	White	白
2	Blue	藍
1	Brown	棕
C1\C2\C3	Wire Color	
Pin Out		



△Conn. 1

△ AA-XXXXXX-FFF-TS001

XX: No. Of Pin

△△ Note:

- * RoHS Compliant
- * QC Important dimension
- * Waterproof rate: IP66, mated
- * Connector
 - Housing: Thermoplastic, Black
 - Pin: Copper alloy, Gold plated
 - Nut: Thermoplastic, Black
 - O-Ring: Rubber, Black
- * Outer mold: Thermoplastic, Black
- * Wire Harness: UL1061 24AWG

UNIT:mm M N
TOLERANCE
 ± 0.5 mm

TITLE ACC, CERES, A-2A, T ADA W/O CB
FFF D

SCALE 5:4	SIZE A4	SHEET 1 OF 1
REV. D	WC-REV. .0	QC : Inspection item

Amphenol LTW
安費諾亮泰企業股份有限公司

ITEM NO
DWC NO
CUSTOMER
AA-XXXXXX-FFF-TS001
ALTW

DRAWN BY Fu
CHECKED BY Feng li
APPROVED BY Jerry

DATE 2019-11-15
DATE 2019-11-15
DATE 2019-11-15

X-ON Electronics

Largest Supplier of Electrical and Electronic Components

Click to view similar products for [Sensor Cables / Actuator Cables](#) category:

Click to view products by [Amphenol](#) manufacturer:

Other Similar products are found below :

[60963](#) [60964](#) [M83513/19-F01CP](#) [703000D02F2002](#) [703000D02F300](#) [703001D02F1201](#) [704000D02F120](#) [802027213811-1](#) [84914-0235](#)
[883030A09M050](#) [884031A09M005](#) [8R4006A18M010](#) [1200980008](#) [1200980031](#) [1211810021](#) [1400637](#) [1401201](#) [1401348](#) [1405278](#)
[1408644/94F/8](#) [1455311](#) [1513981](#) [1550119](#) [1554212](#) [1R3006A20A120G](#) [1R4004A17A120](#) [1R4006A20A1202](#) [1R4006A39M005](#) [2289297-6](#)
[8R3006A16A1203](#) [8R5E36E03M020](#) [2R7004A20F060](#) [301000A01F200](#) [301002A01F120](#) [2289297-1](#) [2289297-8](#) [2289297-9](#)
[302000A01F120](#) [CONM6A-S2](#) [332021A01F200](#) [3R1006A20F030](#) [3R9006A20A1201](#) [403001A10M040](#) [4030P1A10M040](#) [41-01023](#)
[MBCC-412](#) [1R3G06A20A120](#) [543031A10M010](#) [884030A09M100](#) [883033A09M020](#)