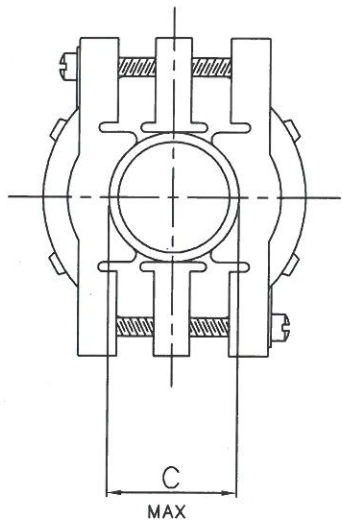
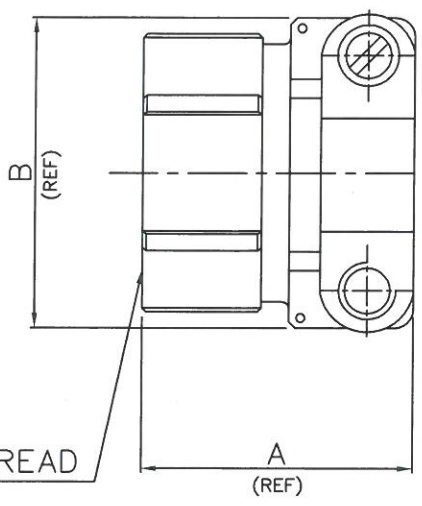


WARNING
 All Drawings and Specifications are and remain our Property and must be returned to us. All Specifications and Drawings are confidential and are not to be disclosed to any persons other than those to whom they are sent. Unauthorised reproduction in any form of this Drawing in part or full is prohibited.

Issue No.	Eng. Ref. No.	REVISIONS	Date	App. By
01	--	ORIGINAL	04.03.14	DPP
02	2477	PART NO. MS3057-3A & -28A ADDED	28.03.14	<i>[Signature]</i>

PROVISIONAL



PART NO.	SHELL SIZE	'A' ±0.2	'B' ±0.2	'C'	'V'-THD
MS3057-3A	8	20.80	20.60	6.40	1/2-28
MS3057-4A	10	20.30	23.30	7.94	5/8-24
MS3057-6A	14	22.50	25.90	11.11	3/4-20
MS3057-8A	16	24.40	28.90	14.29	7/8-20
MS3057-10A	18	23.70	32.20	15.87	1-20
MS3057-12A	20,22	23.60	37.80	19.05	1 3/16-18
MS3057-16A	24,28	26.00	43.40	23.81	1 7/16-18
MS3057-20A	32	27.70	52.10	31.70	1 3/4-18
MS3057-24A	36	29.20	57.30	34.92	2-18
MS3057-28A	40	42.70	68.30	41.30	2 1/4-16

FINISH DETAILS: -

- MS3057-4A - CD PLATING.
- MS3057-4A-A23 - ELECTROLESS NICKEL PLATING.
- MS3057-4A-624 - ZINC-COBALT BLACK PLATING.

DO NOT SCALE THIS DRAWING

SL.NO.	DRG.NO.	FINISH

NAME	DATE
Drawn by NAYEEM	12.04.12
Checked by <i>P. Jagan</i>	28.03.14
App. by <i>[Signature]</i>	28.03.14

Amphenol
Amphenol Interconnect India Pvt. Ltd.
 BANGALORE - 560 100

TITLE
OUTLINE DRAWING
 MS3057-XXA

Dwg. Size **A4** Dwg.No. **B73206**

QF-DEV-83 REV.NO. :03

Mat.Spec.
--
--
All Dimensions are in MM/INCHES
Sheet 1 OF 1

X-ON Electronics

Largest Supplier of Electrical and Electronic Components

Click to view similar products for [Circular MIL Spec Connector](#) category:

Click to view products by [Amphenol](#) manufacturer:

Other Similar products are found below :

[0025-262-542](#) [0025-264-3014](#) [58-570121-04S](#) [0134-202-1200](#) [0134-207-1206](#) [0134-207-1800](#) [0134-207-2207](#) [0134-213-0806](#) [0134-213-1007](#) [0134-213-1009](#) [0134-213-1208](#) [0134-213-1800](#) [0134-213-2209](#) [0025-258-000](#) [015-9516-002](#) [60-042722-19P](#) [0114-201-1278](#) [602GB06EG24-61SN](#) [0134-201-1207](#) [0134-201-1806](#) [0134-201-2006](#) [0134-201-2007](#) [0134-201-2010](#) [0134-202-1400](#) [0134-207-0809](#) [0134-207-1208](#) [0134-207-2009](#) [0134-213-1006](#) [6104-207-2302](#) [6104-208-1902](#) [6131-202-19149P](#) [6131-204-21149P](#) [6131-207-13149P](#) [6131-208-13149P](#) [6131-209-17149P](#) [6131-210-11149P](#) [6131-211-19149P](#) [6131-216-19149P](#) [6131-220-25149P](#) [6131-259-11149P](#) [6131-259-21149P](#) [6131-259-23149P](#) [6131-263-19149P](#) [6131-265-17149P](#) [6131-265-19149P](#) [CS3102A-20-15P](#) [CS3102A-20-15S](#) [CS3102C18-4P-472](#) [CS3106A-20-29P](#) [CS3106A-20-74P](#)