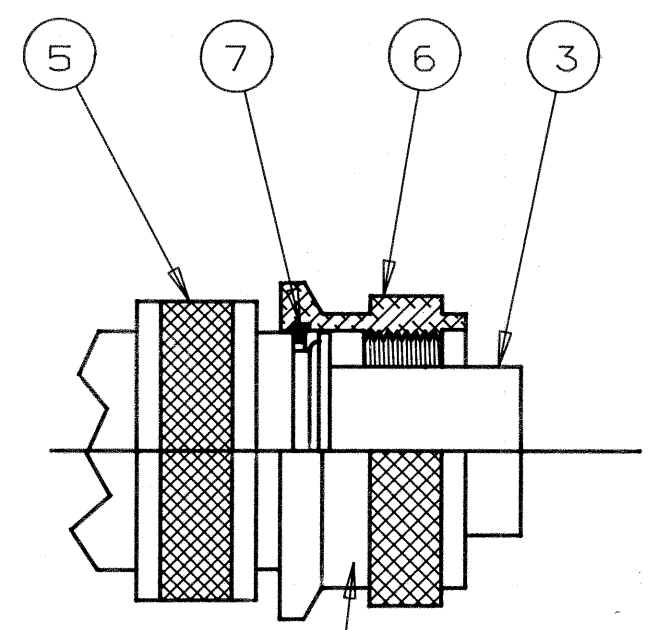
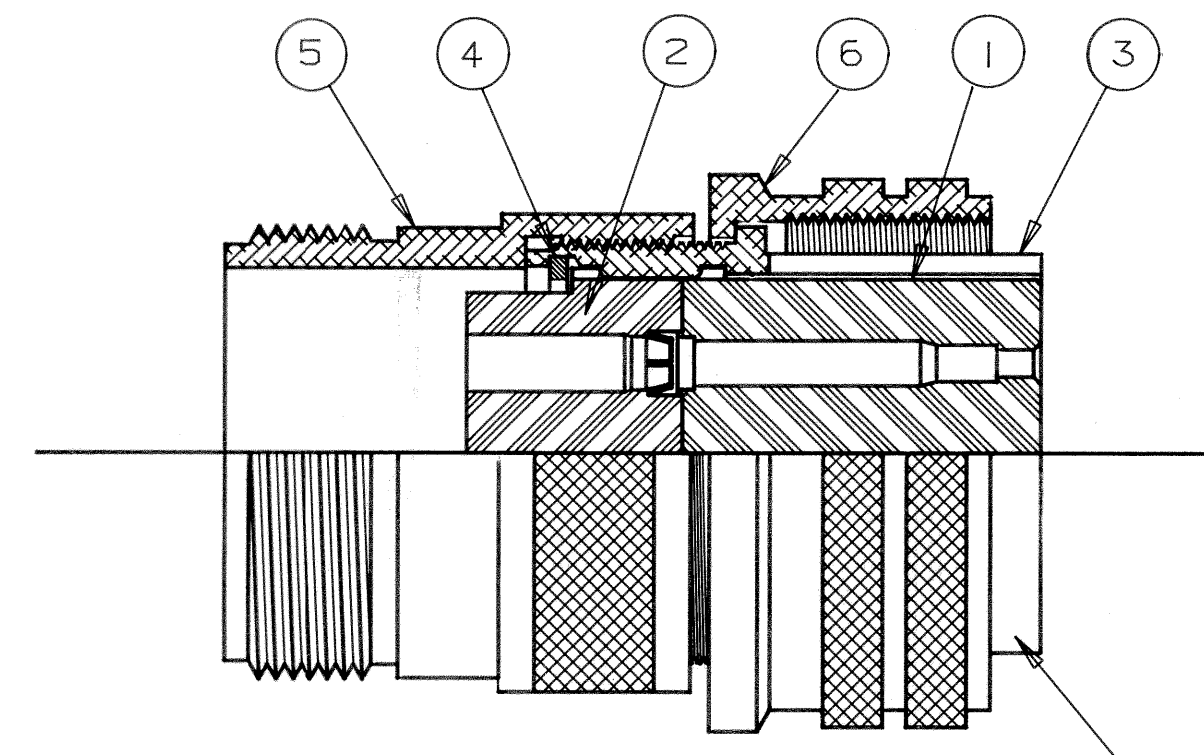


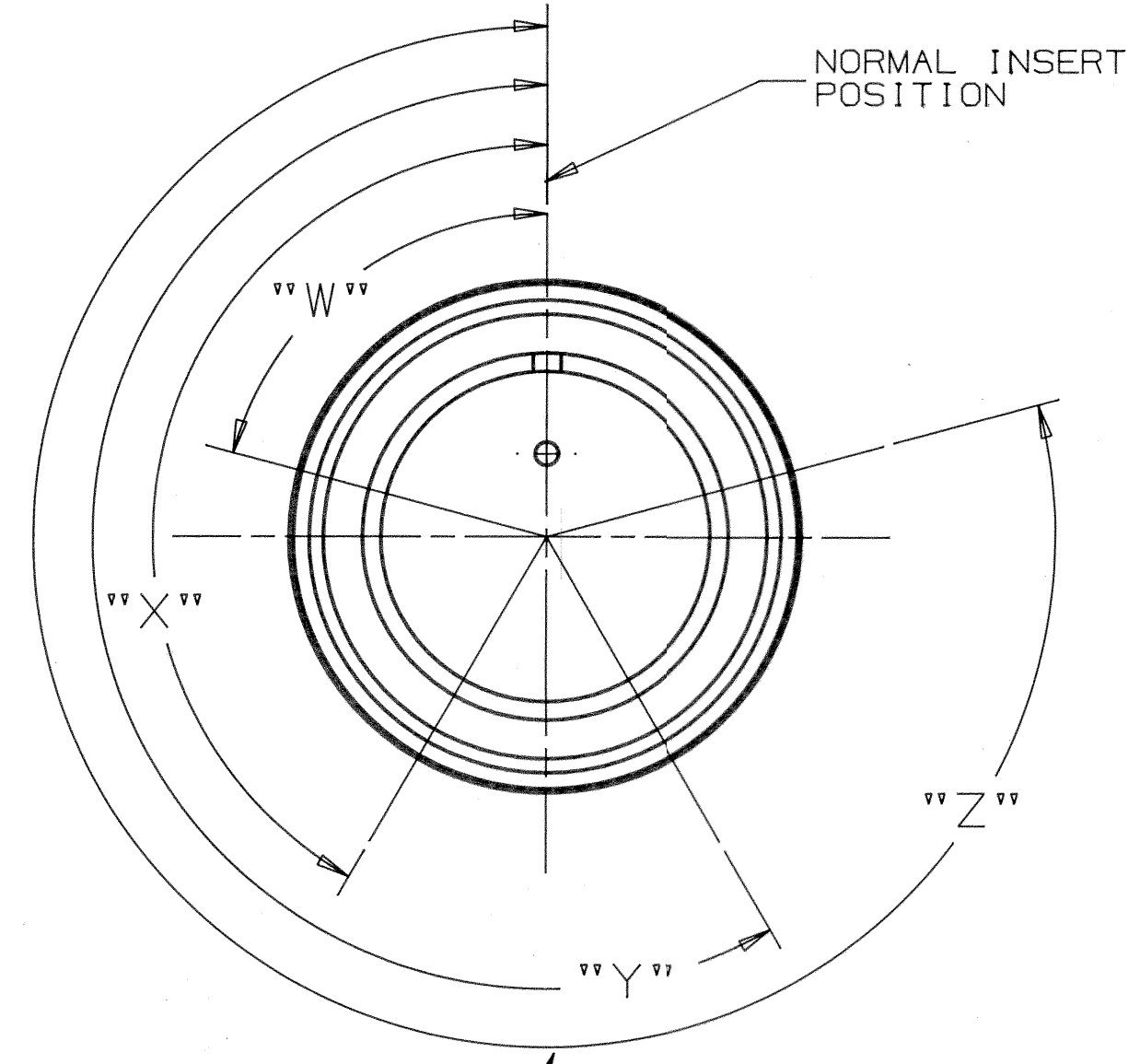
NOTICE—These drawings, specifications, or other data (1) are, and remain the property of Allied Corporation (2) must be returned upon request; and (3) are confidential and are not to be disclosed to any person other than those to whom they are given by Allied Corporation. The furnishing of these drawings, specifications, or other data by Allied Corporation, or by any other person, to anyone for any purpose is not to be regarded by implication or otherwise as in any manner licensing, granting rights or permitting such holder or any other person to manufacture, use or sell any product, process or design, patented or otherwise, that may in any way be related to or disclosed by said drawings, specifications or other data.



STAMP PART NO. ON THIS SURFACE ON SIZE 10 CONNECTORS ONLY
COUPLING RING ASSEMBLY (SIZE 10SL ONLY)



INK STAMP WITH .062 CHARACTERS AMPHENOL PART NO. 97-4106A-XXXX-XXXX ON THIS SURFACE. SEE TABLE FOR XXXX DIGITS.

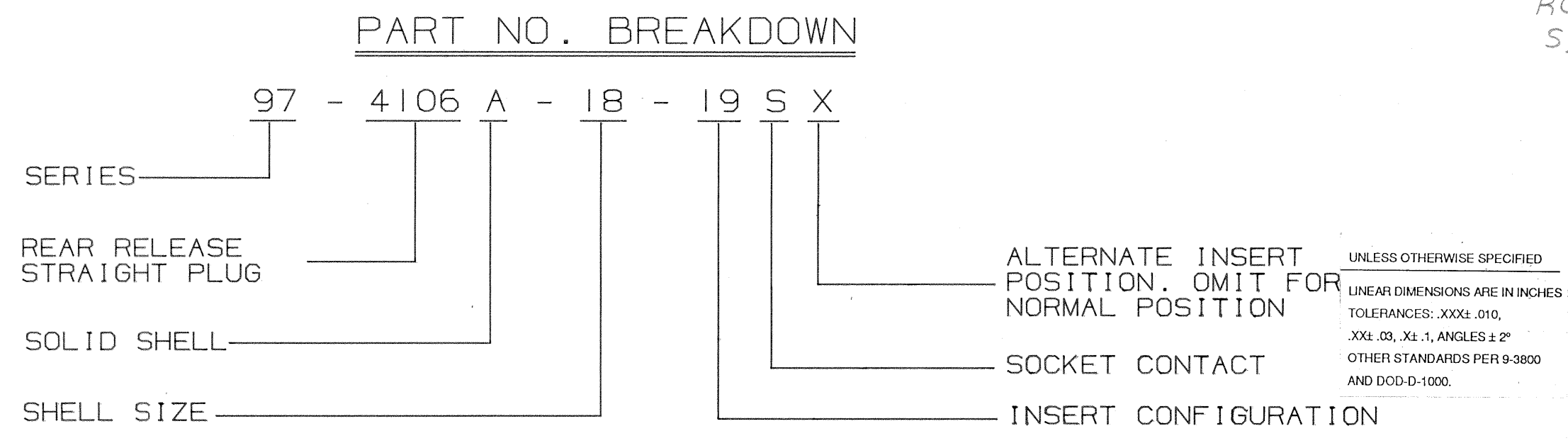


"W", "X", "Y", & "Z" LOCATIONS INDICATE ALTERNATE INSERT POSITIONS, SEE NOTE 2.

REVISIONS				
SYM	ZONE	DESCRIPTION	DATE	APPROVED
J		REDRAWN, NO CHANGE (WAS 2 SHT'S)		
K		BDO DOCUMENT NOS. INCORPORATED CHANGED FSCM NO. TO 77820 ECN: 75005-042	9/23/87	<i>[Signature]</i>
L		(CL11) SEE ECN: 82479		<i>[Signature]</i>
M		CHANGE BLOCK CHANGE ONLY: WAS SHELL 10-61 7702-XRK (NO SLOT) ECN: 84673		<i>[Signature]</i>

AMPHENOL PART NO.	SHELL SIZE	INSERT CONF. 16.	ITEM 1 SOCKET INSERT I REQ'D.	ITEM 2 RETENTION DISC I REQ'D.	ITEM 3 RECEPTACLE SHELL I REQ'D.	ITEM 4 RETAINING RING I REQ'D.	ITEM 5 BACK SHELL I REQ'D.	ITEM 6 COUPLING RING I REQ'D.	ITEM 7 RETAINING RING I REQ'D.	BENDIX PART NO.	ALTERNATE INSERT POSITIONS			
											W°	X°	Y°	Z°
97-4106A-10SL-3SX	10SL	-3	97-410SL-3SF	97-410SL-3SR	97-81-199 (639)	97-94-10SL	97-93-12 (639)	97-92-10SL (639)	97-94-14-3	10-824062-3()	---	---	---	---
97-4106A-10SL-4SX	10SL	-4	97-410SL-4SF	97-410SL-4SR	97-81-199 (639)	97-94-10SL	97-93-12 (639)	97-92-10SL (639)	97-94-14-3	062-4()	---	---	---	---
97-4106A-12S-3SX	12S	-3	97-412S-3SF	97-412S-3SR	97-81-12S (639)	97-94-12	97-93-12 (639)	97-92-12S (639)		063-3()	70°	145°	215°	290°
97-4106A-14S-1SX	14S	-1	97-414S-1SF	97-414S-1SR	97-81-14S (639)	97-94-14	97-93-14 (639)	97-92-14S (639)		066-1()	---	---	---	---
97-4106A-14S-2SX	14S	-2	97-414S-2SF	97-414S-2SR	97-81-14S (639)	97-94-14	97-93-14 (639)	97-92-14S (639)		066-2()	---	120°	240°	---
97-4106A-14S-5SX	14S	-5	97-414S-5SF	97-414S-5SR	97-81-14S (639)	97-94-14	97-93-14 (639)	97-92-14S (639)		066-5()	---	110°	---	---
97-4106A-14S-7SX	14S	-7	97-414S-7SF	97-414S-7SR	97-81-14S (639)	97-94-14	97-93-14 (639)	97-92-14S (639)		066-7()	90°	180°	270°	---
97-4106A-16S-1SX	16S	-1	97-416S-1SF	97-416S-1SR	97-81-16S (639)	97-94-16	97-93-16 (639)	97-92-16S (639)		068-1()	80°	---	---	280°
97-4106A-16S-8SX	16S	-8	97-416S-8SF	97-416S-8SR	97-81-16S (639)	97-94-16	97-93-16 (639)	97-92-16S (639)		068-8()	---	170°	265°	---
97-4106A-18-1SX	18	-1	97-418-1SF	97-418-1SR	97-81-18 (639)	97-94-18	97-93-18 (639)	97-92-18 (639)		070-1()	70°	145°	215°	290°
97-4106A-18-4SX	18	-4	97-418-4SF	97-418-4SR	97-81-18 (639)	97-94-18	97-93-18 (639)	97-92-18 (639)		070-4()	35°	110°	250°	325°
97-4106A-18-11SX	18	-11	97-418-11SF	97-418-11SR	97-81-18 (639)	97-94-18	97-93-18 (639)	97-92-18 (639)		070-11()	---	170°	265°	---
97-4106A-18-12SX	18	-12	97-418-12SF	97-418-12SR	97-81-18 (639)	97-94-18	97-93-18 (639)	97-92-18 (639)		070-12()	80°	---	---	280°
97-4106A-18-19SX	18	-19	97-418-19SF	97-418-19SR	97-81-18 (639)	97-94-18	97-93-18 (639)	97-92-18 (639)		070-19()	---	120°	240°	---
97-4106A-18-20SX	18	-20	97-418-20SF	97-418-20SR	97-81-18 (639)	97-94-18	97-93-18 (639)	97-92-18 (639)		070-20()	90°	180°	270°	---
97-4106A-20-4SX	20	-4	97-420-4SF	97-420-4SR	97-81-20 (639)	97-94-20	97-93-20 (639)	97-92-20 (639)		071-4()	45°	110°	250°	---
97-4106A-20-7SX	20	-7	97-420-7SF	97-420-7SR	97-81-20 (639)	97-94-20	97-93-20 (639)	97-92-20 (639)		071-7()	80°	110°	250°	280°
97-4106A-20-27SX	20	-27	97-420-27SF	97-420-27SR	97-81-20 (639)	97-94-20	97-93-20 (639)	97-92-20 (639)		071-27()	35°	110°	250°	325°
97-4106A-22-14SX	22	-14	97-422-14SF	97-422-14SR	97-81-22 (639)	97-94-22	97-93-22 (639)	97-92-22 (639)		072-14()	80°	110°	250°	280°
97-4106A-24-2SX	24	-2	97-424-2SF	97-424-2SR	97-81-24 (639)	97-94-24	97-93-24 (639)	97-92-24 (639)		073-2()	80°	---	---	280°
97-4106A-28-9SX	28	-9	97-428-9SF	97-428-9SR	97-81-28 (639)	97-94-28	97-93-28 (639)	97-92-28 (639)		074-9()	80°	110°	250°	280°
97-4106A-28-11SX	28	-11	97-428-11SF	97-428-11SR	97-81-28 (639)	97-94-28	97-93-28 (639)	97-92-28 (639)		074-11()	80°	110°	250°	280°
97-4106A-28-12SX	28	-12	97-428-12SF	97-428-12SR	97-81-28 (639)	97-94-28	97-93-28 (639)	97-92-28 (639)		074-12()	90°	180°	270°	---
97-4106A-28-20SX	28	-20	97-428-20SF	97-428-20SR	97-81-28 (639)	97-94-28	97-93-28 (639)	97-92-28 (639)		074-20()	80°	110°	250°	280°
97-4106A-28-21SX	28	-21	97-428-21SF	97-428-21SR	97-81-28 (639)	97-94-28	97-93-28 (639)	97-92-28 (639)		074-21()	80°	110°	250°	280°
97-4106A-32-8SX	32	-8	97-432-8SF	97-432-8SR	97-81-32 (639)	97-94-32	97-93-32 (639)	97-92-32 (639)		075-8()	80°	125°	235°	280°
97-4106A-32-414SX	32	-414	97-432-414SF	97-432-414SR	97-81-32 (639)	97-94-32	97-93-32 (639)	97-92-32 (639)		075-AC()	80°	110°	250°	280°
97-4106A-36-10SX	36	-10	97-436-10SF	97-436-10SR	97-81-36 (639)	97-94-36	97-93-36 (639)	97-92-36 (639)		076-10()	80°	125°	235°	280°

- NOTES!
- INK STAMP CONNECTOR WITH SPECIFIC CONTROL NUMBER (DATE CODE PER 9-8909)
 - SUFFIX IN PART NO. INDICATES ALTERNATE INSERT POSITIONS. NO SUFFIX REQUIRED FOR NORMAL INSERT POSITION.
 - PACK IN POLYCEL BAG OR EQUIVALENT AND IDENTIFY—
"AMPHENOL"
AMPHENOL PART NO.
MONTH AND YEAR MANUFACTURED
QUANTITY AND UNIT (EACH)



ROTATIONS
S, H, J, L, N

DRAWN	T. MAXWELL	DATE	10-2-77
CHECKED	W. W.	DATE	11-9-77
APPROVED	W. KAILUS	DATE	10-7-77
EPA/EAR	DOR 2006B-1		
ENGINEERING RELEASE	10419 NO. A15039	DATE	1-10-78 1-6-84
INDUSTRIAL ENGRG APPD.	J. HODSHIRE	DATE	1-10-78
DESIGN ACTIVITY APPD.			
EXPERIMENTAL NO.			

ITEM NO.	PART OR IDENTIFYING NO.	QTY REQD	NOMENCLATURE OR DESCRIPTION
LIST OF MATERIALS OR PARTS LIST			
TITLE STRAIGHT PLUG ASSEMBLY REAR RELEASE WITH SOCKET INSERT			
SIZE	FSCM NO.	REV	
D	77820 10-824060/079-S	M	
SCALE	2 = 1	WT. EST.	ACT.
		SHEET	OF

X-ON Electronics

Largest Supplier of Electrical and Electronic Components

Click to view similar products for [Circular MIL Spec Connector](#) category:

Click to view products by [Amphenol](#) manufacturer:

Other Similar products are found below :

[89075GULPR](#) [0025-262-542](#) [0025-264-3014](#) [58-570121-04S](#) [0134-213-1208](#) [0134-213-2209](#) [0025-258-000](#) [60-042022-07P](#) [60-042022-19P](#)
[60-042022-23P](#) [60-042217-10P](#) [0114-201-1278](#) [012-0467-000](#) [602GB06EG24-61SN](#) [0134-201-1207](#) [0134-213-1006](#) [6104-207-2302](#) [6104-](#)
[208-1902](#) [61-168211-04P](#) [61-168617-10P](#) [6131-202-19149P](#) [6131-204-21149P](#) [6131-208-13149P](#) [6131-209-17149P](#) [6131-210-11149P](#) [6131-](#)
[211-19149P](#) [6131-216-19149P](#) [6131-259-21149P](#) [6131-259-23149P](#) [6131-265-17149P](#) [6131-265-19149P](#) [CS3100A18-1P-472](#) [CS3100A-36-](#)
[77P](#) [CS3101A-16-55P](#) [CS3102A-10SL-55P](#) [CS3102A-14S-58P](#) [CS3102A-32-17P](#) [CS3102A32-25S](#) [CS3102C18-4P-472](#)
[CS3106A10SL3S004](#) [CS3106A-18-73S](#) [CS3108A-14S-52S](#) [CS3108A-28-51S](#) [6162-233-1277](#) [6162-324-1231](#) [M243082296Z](#)
[M2884010AC1S1](#) [CT0-24-10SC](#) [CT0M20-7PCAU](#) [M28840/17AC1G3](#)