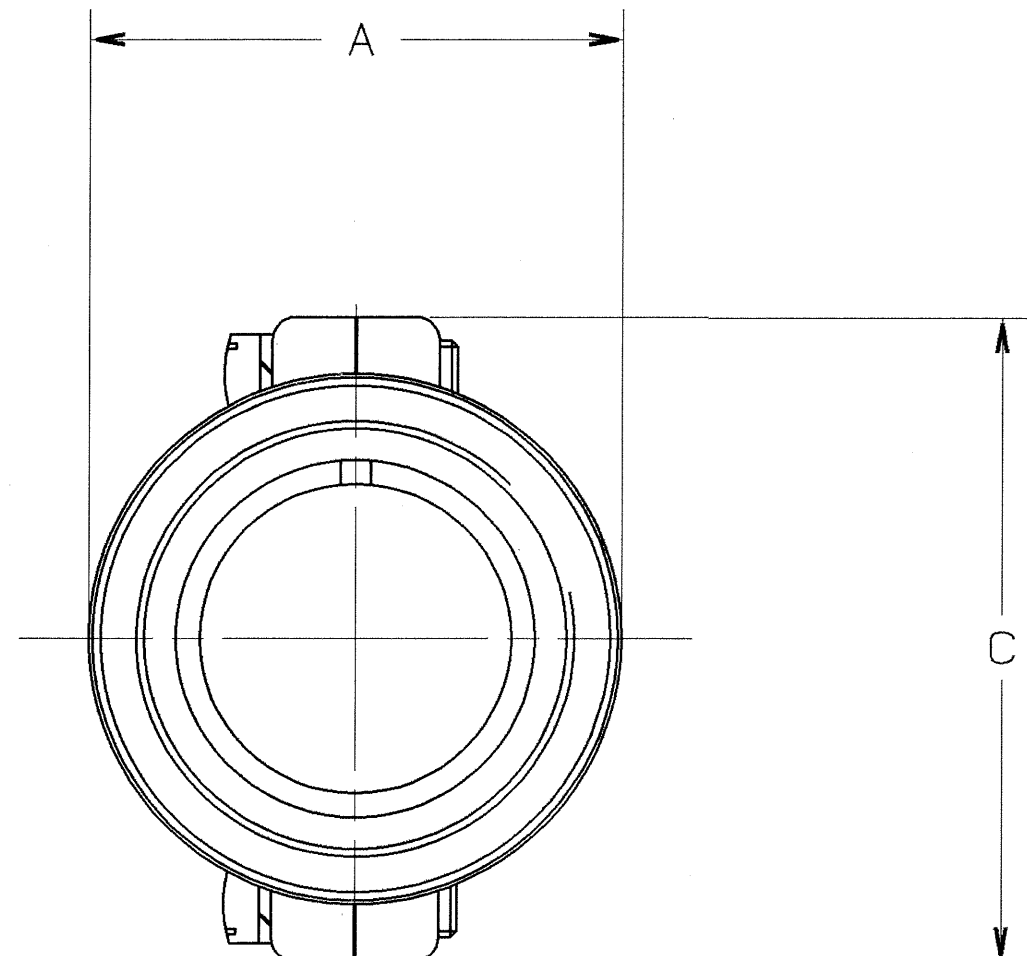
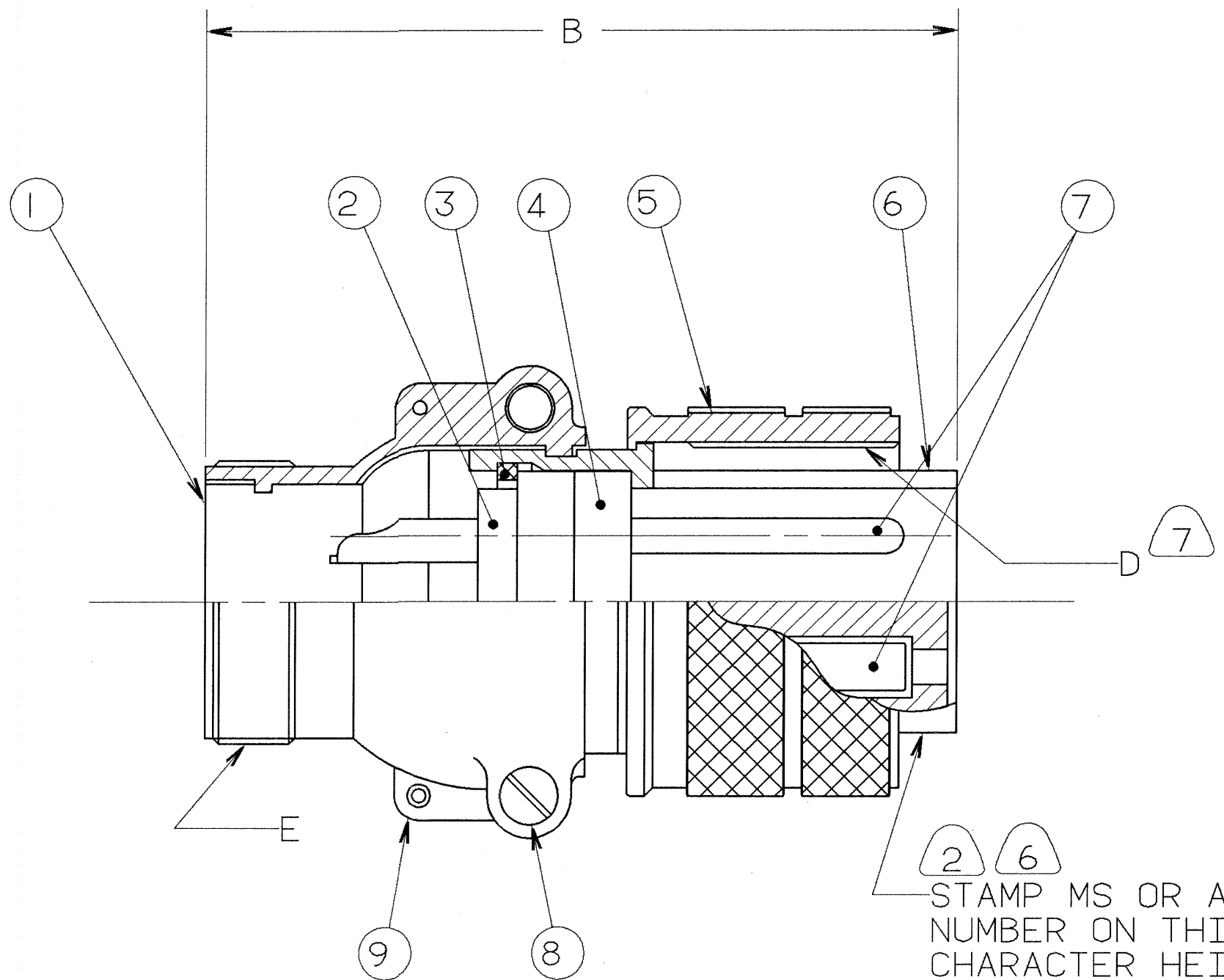


| REVISIONS | | | | |
|-----------|-----|----------------------------------|----------------------|--------------|
| ZONE | LTR | DESCRIPTION | DATE | APPROVED |
| — | C | (CLII) ADDED NOTE 8 ECN:22391 | 08/29/89 BURNSIDE | m.d. J.B. |



STAMP MS OR AMPHENOL ASSEMBLY NUMBER ON THIS SURFACE. CHARACTER HEIGHT .062 MINIMUM.

| FIND NO. | QTY REQD. | FSCM NO. | PART NUMBER | DESCRIPTION | NOTE REF. |
|----------|------------|----------|-------------|--------------------|-----------|
| 9 | SEE NOTE 1 | | SEE NOTE 1 | BACK SHELL, FEMALE | |
| 8 | | | | SCREW, BACK SHELL | |
| 7 | | | | CONTACTS | |
| 6 | | | | SHELL | |
| 5 | | | | RING, COUPLING | 7 |
| 4 | | | | INSERT, FRONT | |
| 3 | | | | RING, RETAINING | |
| 2 | | | | INSERT, REAR | |
| 1 | | | | BACK SHELL, MALE | |

UNLESS OTHERWISE SPECIFIED LINEAR DIMENSIONS ARE IN INCHES.
TOLERANCES: .XXX±.010,
.XX ±.03, .X ±.1,
ANGLES ±2°.
OTHER STANDARDS PER 9-3800
AND DOD-D-1000.
NOTE REF. =

| PARTS LIST | | | | | |
|----------------------------|-------------------------------|----------|--|-------------------|--------------|
| SPECIFICATIONS | SIGNATURES | DATES | AMPHENOL CORPORATION BENDIX CONNECTOR OPERATIONS SIDNEY, N.Y. | | |
| MATERIAL SPEC. N/A | PREPARED A. PRESCOTT | 11/6/87 | CONNECTOR, ELECTRICAL PLUG, TYPE 97-3106B, OLIVE DRAB CADMIUM PLATED | | |
| | CHECKED PHILPOTT | 11/12/87 | | | |
| PROCESS SPEC. 9-2437-33 | APPROVED BERNHARDT | 11/13/87 | SIZE C | FSCM NO. 77820 | REV. C |
| | APPROVED HAYNER | 11/17/87 | SCALE NONE | WT. N/A | SHEET 1 OF 2 |
| | 1ST PART NO. 10-820126-02P | | | | |

SEE SHEET 2.
NOTES:

THE USE OF THIS DOCUMENT IS UNLIMITED. HOWEVER, DOCUMENTS REFERENCED HEREON MAY CONTAIN LIMITED RIGHTS DATA.

N/A
N/A
NEXT ASSEMBLY

97-3106B

X-ON Electronics

Largest Supplier of Electrical and Electronic Components

Click to view similar products for [Circular MIL Spec Connector](#) category:

Click to view products by [Amphenol](#) manufacturer:

Other Similar products are found below :

[89075GULPR](#) [0025-262-542](#) [0025-264-3014](#) [58-570121-04S](#) [0134-213-1208](#) [0134-213-2209](#) [0025-258-000](#) [60-042022-07P](#) [60-042022-19P](#)
[60-042022-23P](#) [60-042217-10P](#) [0114-201-1278](#) [012-0467-000](#) [602GB06EG24-61SN](#) [0134-201-1207](#) [0134-213-1006](#) [6104-207-2302](#) [6104-](#)
[208-1902](#) [61-168211-04P](#) [61-168617-10P](#) [6131-202-19149P](#) [6131-204-21149P](#) [6131-208-13149P](#) [6131-209-17149P](#) [6131-210-11149P](#) [6131-](#)
[211-19149P](#) [6131-216-19149P](#) [6131-259-21149P](#) [6131-259-23149P](#) [6131-265-17149P](#) [6131-265-19149P](#) [CS3100A18-1P-472](#) [CS3100A-36-](#)
[77P](#) [CS3101A-16-55P](#) [CS3102A-10SL-55P](#) [CS3102A-14S-58P](#) [CS3102A-32-17P](#) [CS3102A32-25S](#) [CS3102C18-4P-472](#)
[CS3106A10SL3S004](#) [CS3106A-18-73S](#) [CS3108A-14S-52S](#) [CS3108A-28-51S](#) [6162-233-1277](#) [6162-324-1231](#) [M243082296Z](#)
[M2884010AC1S1](#) [CT0-24-10SC](#) [CT0M20-7PCAU](#) [M28840/17AC1G3](#)