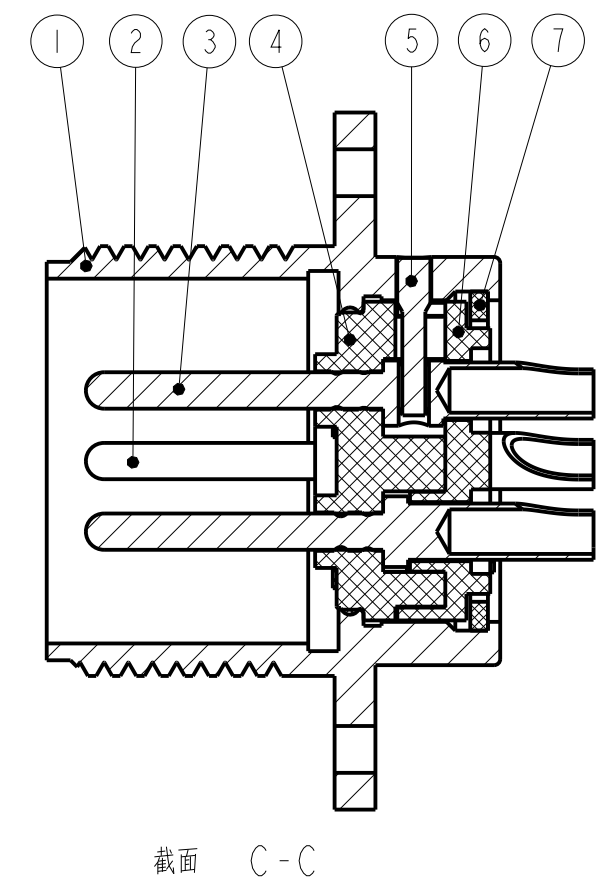
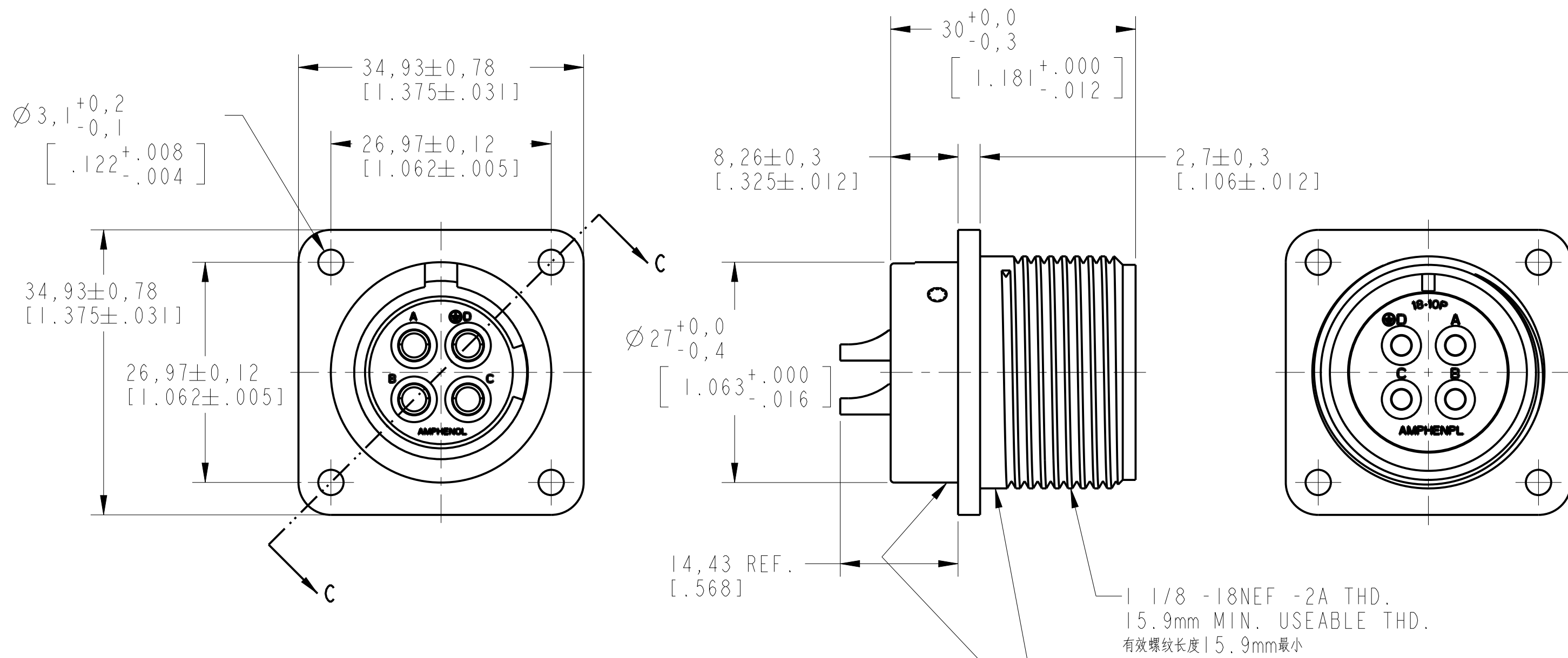
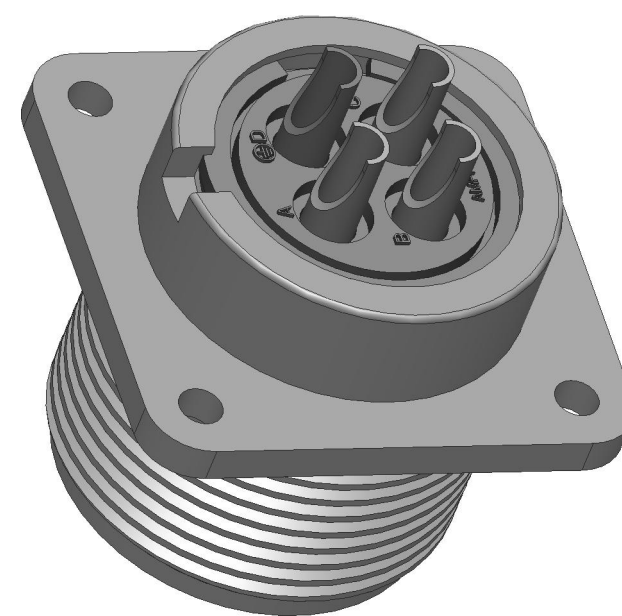


CUSTOMER DRAWING

REVISIONS		
REV	DESCRIPTION	DATE
PA1	INITIAL RELEASE	2019-11-27
PA2	CHANGE THE SHELL PLATING AND EARTH PIN LENGTH	2019-12-13
PA3	CHANGE THE DIMENSIONS	2020-02-28
PA4	CHANGE THE PRODUCT CODE	2020-05-26



WHITE INK STAMP "AMPHENOL", ASSEMBLY NUMBER AND DATE CODE APPROX.
 白色油墨印字 AMPHENOL + 产品编号 + 制造日期(年周 1930)



SPECIFICATIONS / 技术参数	
SERVER RATING 服务等级	A
NUMBER OF CONTACTS 端子数量	4
CONTACT SIZE 端子大小	#12
CURRENT RATE 额定电流	23A/PIN
OPERATING VOLTAGE 额定电压	500V AC 最大
OPERATING TEMPERATURE 工作温度	-55°C TO 125°C
D.W.V. 耐电压	2000V AC
INSULATION RESISTANCE 绝缘电阻	1000 MΩ最小(AT 500VDC)
CONTACT RESISTANCE 端子接触电阻	5 mΩ 最大
DURABILITY 耐久性	100次
SALT SPRAY 盐雾	5%NaCl, 48小时
AIR LEAKAGE 气密性	2.9X10 ⁴ Pa压力下保持1分钟不泄露
SHELL PLATING 外壳电镀	BLACK ZINC PLATING 黑锌电镀
APPLICABLE WIRE 适用线规	3.5mm ² 最大

NOTES:
 1. THE REFERENCED PRODUCT IS IN COMPLIANCE WITH THE MAXIMUM CONCENTRATION VALUES(MCVS) AS SET BY RoHS 2.0 DIRECTIVE 2011/65/EU AND ANNEX II AMENDMENT DIRECTIVE (EU)2015/863.

THIS DOCUMENT CONTAINS PROPRIETARY INFORMATION AND SUCH INFORMATION MAY NOT BE DISCLOSED TO OTHERS FOR ANY PURPOSE OR USED FOR MANUFACTURING PURPOSES WITHOUT WRITTEN PERMISSION FROM THE AMPHENOL CORP.

PRO/ENGINEER INFORMATION	
Pro/e Model Used:	10-764272-10P.ASSEM
Drawing Name:	10-764272-10P

UNLESS OTHERWISE SPECIFIED	SPECIFICATIONS
LINEAR DIMENSIONS ARE IN INCHES TOLERANCES: .XXXX = ±.0005 ANGLES= ±2° .XXX = ±.010 .XX = ±.03 .X = ±.1	MATERIAL SPEC. N/A
DIM. & TOL. PER ASME Y14.5M; DRM PER MIL-DTL-31000; OTHER Amphenol Stds. PER 9-3800	PROCESS SPEC. N/A

POS	QTY	DESCRIPTION	MATERIAL & FINISH	NOTE
7	1	RETAINING RING	COPPER ALLOY, TIN PLATING	
6	1	REAR INSULATOR	PLASTIC	COLOR: BLACK
5	1	EARTH PIN	COPPER ALLOY, NICKEL PLATING	
4	1	FRONT INSULATOR	RUBBER	COLOR: BLACK
3	1	CONTACT, EARTH	COPPER ALLOY, SILVER PLATING	CONTACT NO: D
2	3	#12 CONTACT	COPPER ALLOY, SILVER PLATING	CONTACT NO: A, B, C
1	1	SHELL	ALUMINUM ALLOY, ZINC PLATING	COLOR: BLACK

APPROVALS		DATE	PARTS LIST				
PREPARED BY	LIANG XU	May-26-20	AMPHENOL INDUSTRIAL OPERATIONS				
ENGINEER IN CHARGE	LIANG XU		Amphenol Technology(Zhuhai)Co.,Ltd No.63, Xinghan Road, Sanzao Town, Jinwan, Zhuhai				
DESIGN MANAGER	RAN XIAO		CONNECTOR, ELECTRICAL RECEPTACLE 97-3102E-18-10P(400)(946), GROUND-TYPE CONDUCTIVE BLACK ZINC PLATED				
DESIGN ACTIVITY GROUP	C3		THIRD ANGLE PROJECTION				
SIZE	C	CAGE CODE	77820	DOCUMENT NO.	10-764272-10P	REV.	PA4
SCALE: 2.0		REF: N/A		SHEET 1 OF 1			

DOCUMENT NO. 10-764272-10P SHEET 1 OF 1 REV. PA4

DOCUMENT NO. 10-764272-10P SHEET 1 OF 1 REV. PA4

X-ON Electronics

Largest Supplier of Electrical and Electronic Components

Click to view similar products for [Circular MIL Spec Connector](#) category:

Click to view products by [Amphenol](#) manufacturer:

Other Similar products are found below :

[0025-262-542](#) [0025-264-3014](#) [58-570121-04S](#) [0134-202-1200](#) [0134-207-1206](#) [0134-207-1800](#) [0134-207-2207](#) [0134-213-0806](#) [0134-213-1007](#) [0134-213-1009](#) [0134-213-1208](#) [0134-213-1800](#) [0134-213-2209](#) [0025-258-000](#) [015-9516-002](#) [60-042217-10P](#) [60-042722-19P](#) [0114-201-1278](#) [602GB06EG24-61SN](#) [0134-201-1207](#) [0134-201-1806](#) [0134-201-2006](#) [0134-201-2007](#) [0134-201-2010](#) [0134-202-1400](#) [0134-207-0809](#) [0134-207-1208](#) [0134-207-2009](#) [0134-213-1006](#) [6104-207-2302](#) [6104-208-1902](#) [6131-202-19149P](#) [6131-204-21149P](#) [6131-207-13149P](#) [6131-208-13149P](#) [6131-209-17149P](#) [6131-210-11149P](#) [6131-211-19149P](#) [6131-216-19149P](#) [6131-220-25149P](#) [6131-259-11149P](#) [6131-259-21149P](#) [6131-259-23149P](#) [6131-263-19149P](#) [6131-265-17149P](#) [6131-265-19149P](#) [6134-203-21149](#) [CS3102A-20-15P](#) [CS3102A-20-15S](#) [CS3102A-28-15S](#)