

8/29/89 16:21 \* 89241 16:30 \* PRELSE \* 10-820040/059 E001

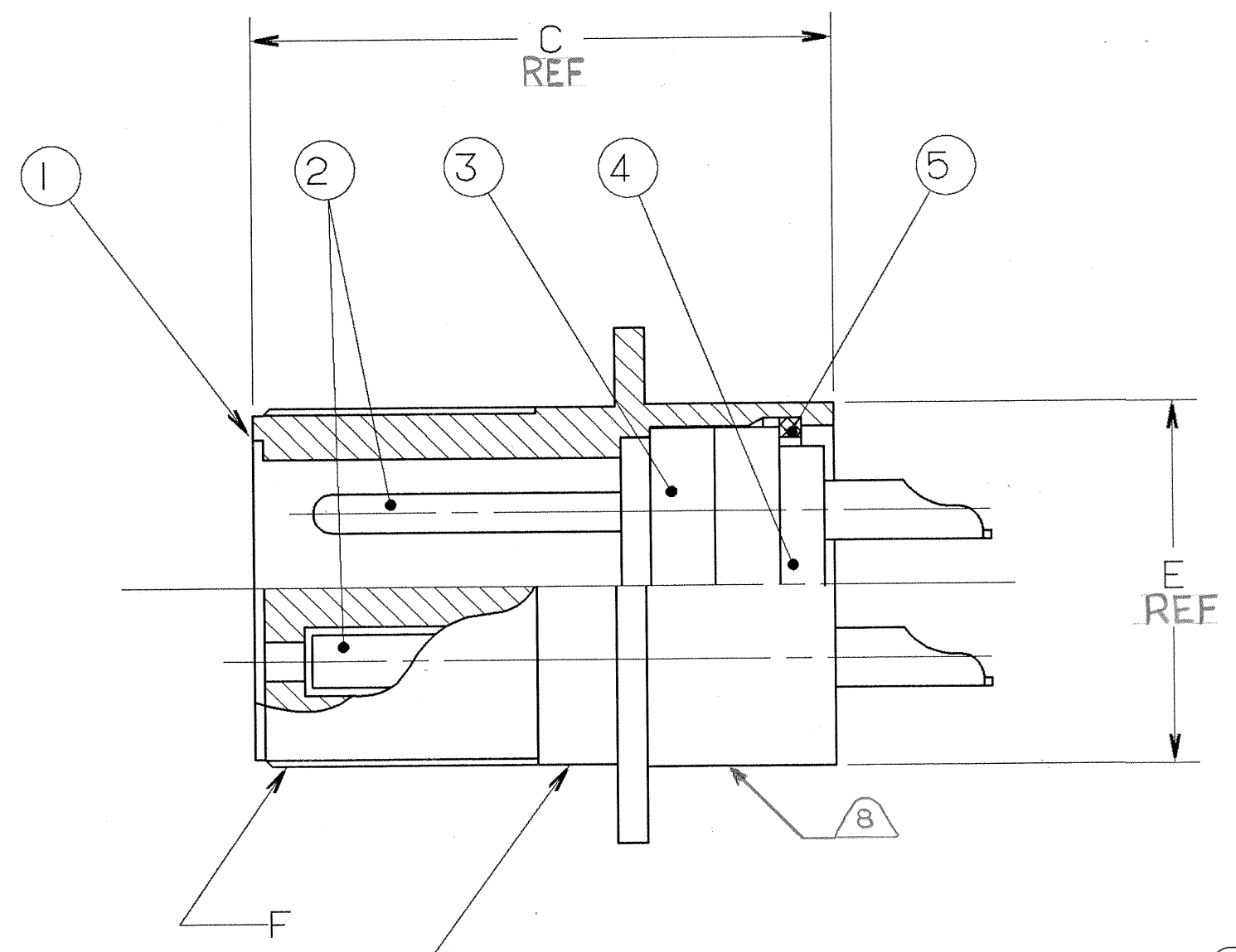
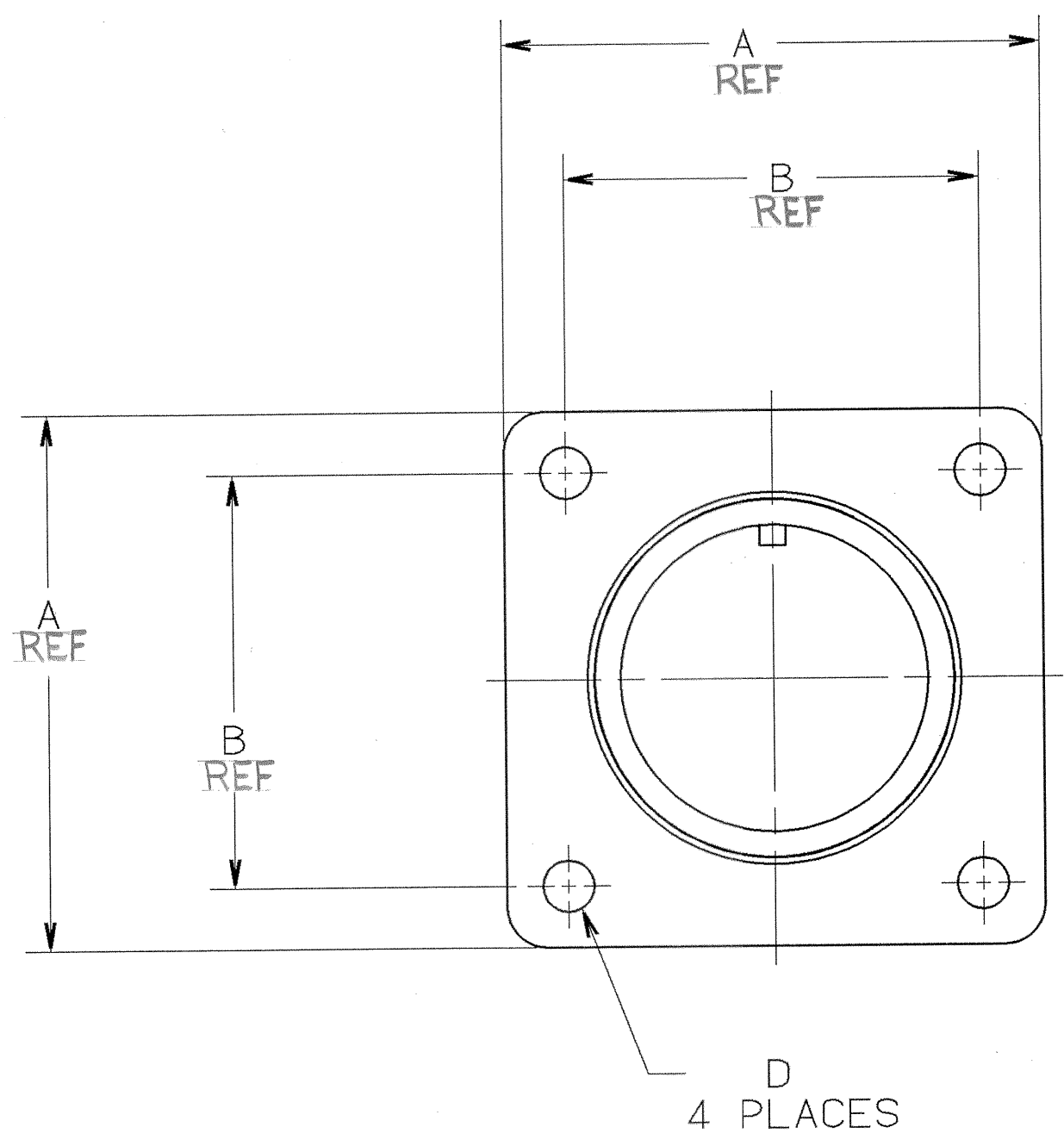
4

3

2

1

REVISIONS				
ZONE	LTR	DESCRIPTION	DATE	APPROVED
—	E	(CLII) ADDED NOTE 7 ECN:22391	08/29/89 BURNSIDE	<i>M.C.</i> <i>J.B.</i>
	F	(CLII) SEE CHANGE NOTICE ECN:28598	5-4-94 DEMATTED	<i>ged</i>
	G	(CLII) SEE ECN:82021	8/6/96 Gill	<i>ged</i>
	H	(CLII) CHANGE BLOCK CHANGE ONLY WAS SHELL 10-617703-XX3(NOS LOT) ECN:89330	7/19/09 A.B. MAYHEW	<i>ged</i>



STAMP MS OR AMPHENOL ASSEMBLY NUMBER ON THIS SURFACE. CHARACTER HEIGHT .062 MINIMUM.

SEE SHEET 2.  
NOTES:

THE USE OF THIS DOCUMENT IS UNLIMITED. HOWEVER, DOCUMENTS REFERENCED HEREON MAY CONTAIN LIMITED RIGHTS DATA.

N/A  
N/A  
NEXT ASSEMBLY

UNLESS OTHERWISE SPECIFIED LINEAR DIMENSIONS ARE IN INCHES.  
TOLERANCES: .XXX±.010,  
.XX ±.03, .X ±.1,  
ANGLES ±2°.  
OTHER STANDARDS PER 9-3800 AND DOD-D-1000.  
NOTE REF. = **XX**

5	SEE NOTE	SEE NOTE 1	RING, RETAINING
4			INSERT, REAR
3			INSERT, FRONT
2			CONTACTS
1			SHELL

FIND NO.	QTY REQD.	FSCM NO.	PART NUMBER	DESCRIPTION	NOTE REF.
PARTS LIST					
SPECIFICATIONS		SIGNATURES		DATES	
MATERIAL SPEC. N/A		A. PRESCOTT		11/6/87	
		R. PHILPOTT		11/8/87	
PROCESS SPEC. 9-2437-33		J. BERNHARDT		11/10/87	
		N. HAYNER		11/10/87	
		1ST PART NO. 10-820050-01P			
AMPHENOL CORPORATION BENDIX CONNECTOR OPERATIONS SIDNEY, N.Y.		U			
CONNECTOR, ELECTRICAL RECEPTACLE TYPE 97-3102A, OLIVE DRAB CADMIUM PLATED					
SIZE	FSCM NO.	C 77820 10-820040/059		REV.	H
SCALE	WT.	NONE		REF	N/A
				SHEET	1 OF 2

97-3102A

SCANNED

A

FRAME

7/29/89 16:21 \* 89241 15:02 \* PRELSE \* 10-820040/059 E002

4

3

2

1

BENDIX ASSEMBLY NUMBER	AMPHENOL ASSEMBLY NUMBER	MS ASSEMBLY NUMBER	A	B	C	D DIA.	E DIA.	F THREAD
10-820040-()	97-3102A- 8S -()	MS3102A- 8S -()	.875	.594	.938	.120	.438	.5000-28 UNEF-2A
10-820041-()	-10S -()	-10S -()	1.000	.719	.938		.500	.6250-24 UNEF-2A
10-820042-()	-10SL-()	-10SL-()	1.000	.719	.938		.688	.6250-24 UNEF-2A
10-820043-()	-12S -()	-12S -()	1.094	.812	.961		.688	.7500-20 UNEF-2A
10-820044-()	-12SL-()	-12SL-()	1.094	.812	.875		.688	.7500-20 UNEF-2A
10-820045-()	-12 -()	-12 -()	1.094	.812	1.322		.688	.7500-20 UNEF-2A
10-820046-()	-14S -()	-14S -()	1.188	.906	.944		.750	.8750-20 UNEF-2A
10-820047-()	-14 -()	-14 -()	1.188	.906	1.322		.750	.8750-20 UNEF-2A
10-820048-()	-16S -()	-16S -()	1.281	.969	.944		.875	1.0000-20 UNEF-2A
10-820049-()	-16 -()	-16 -()	1.281	.969	1.353		.875	1.0000-20 UNEF-2A
10-820050-()	-18 -()	-18 -()	1.375	1.063	1.353		1.000	1.1250-18 UNEF-2A
10-820051-()	-20 -()	-20 -()	1.500	1.156	1.353		1.125	1.2500-18 UNEF-2A
10-820052-()	-22 -()	-22 -()	1.625	1.250	1.353		2.250	1.3750-18 UNEF-2A
10-820053-()	-24 -()	-24 -()	1.750	1.375	1.353	.147	1.375	1.5000-18 UNEF-2A
10-820054-()	-28 -()	-28 -()	2.000	1.563	1.353	.147	1.625	1.7500-18 UNEF-2A
10-820055-()	-32 -()	-32 -()	2.250	1.750	1.447	.173	1.906	2.0000-18 UNEF-2A
10-820056-()	-36 -()	-36 -()	2.500	1.938	1.447		2.125	2.2500-16 UN-2A
10-820057-()	-40 -()	-40 -()	2.750	2.188	1.447		2.375	2.5000-16 UN-2A
10-820058-()	-44 -()	-44 -()	NOT AVAILABLE					
10-820059-()	-48 -()	-48 -()	NOT AVAILABLE					

TO COMPLETE, ADD APPLICABLE INSERT ARRANGEMENT SUFFIX PER 9-2437-33.

6

8. ~~ALTERNATE STAMPING LOCATION WHEN SPACE DOES NOT PERMIT STAMPING ON INDICATED SURFACE.~~
7. IDENTIFY PACKAGE WITH APPLICABLE MS OR 97- PART NUMBER PER NOTE 6.
6. FOR BENDIX INSERT ARRANGEMENT SUFFIX -1 THROUGH -49, STAMP MS ASSEMBLY NUMBER. FOR BENDIX INSERT ARRANGEMENT SUFFIX -50 THROUGH -99, AND -AA THROUGH -BC, STAMP AMPHENOL ASSEMBLY NUMBER.
5. FOR CONTACT ARRANGEMENT, SEE MIL-STD-1651 AND L-22208-() THROUGH L-22248-().
4. PACKAGE PER PRODUCTION PROCESS SHEET.
3. UNITS MEET THE APPLICABLE REQUIREMENTS OF MIL-C-5015.
2. SEE WORK ORDER FOR PERMISSIBLE ADDITIONAL OR ALTERNATE STAMPING.
1. SEE SEPARATE PARTS LIST FOR COMPONENT PART NUMBERS AND QUANTITIES.

NOTES:

THE USE OF THIS DOCUMENT IS UNLIMITED. HOWEVER, DOCUMENTS REFERENCED HEREON MAY CONTAIN LIMITED RIGHTS DATA.

SIZE	FSCM NO.	REV.
C	77820	H
SCALE	WT.	REF
		SHEET 2

COMPUTER GENERATED DRAWING

IMAGED / Nov 04 2004 09:26 AM

TAB.

97-3102A B A SCANNED

## X-ON Electronics

Largest Supplier of Electrical and Electronic Components

*Click to view similar products for [Circular MIL Spec Connector](#) category:*

*Click to view products by [Amphenol](#) manufacturer:*

Other Similar products are found below :

[0025-262-542](#) [0025-264-3014](#) [58-570121-04S](#) [0134-202-1200](#) [0134-207-1206](#) [0134-207-1800](#) [0134-207-2207](#) [0134-213-0806](#) [0134-213-1007](#) [0134-213-1009](#) [0134-213-1208](#) [0134-213-1800](#) [0134-213-2209](#) [0025-258-000](#) [015-9516-002](#) [60-042722-19P](#) [0114-201-1278](#)  
[602GB06EG24-61SN](#) [0134-201-1207](#) [0134-201-1806](#) [0134-201-2006](#) [0134-201-2007](#) [0134-201-2010](#) [0134-202-1400](#) [0134-207-0809](#) [0134-207-1208](#) [0134-207-2009](#) [0134-213-1006](#) [6104-207-2302](#) [6104-208-1902](#) [6131-202-19149P](#) [6131-204-21149P](#) [6131-207-13149P](#) [6131-208-13149P](#) [6131-209-17149P](#) [6131-210-11149P](#) [6131-211-19149P](#) [6131-216-19149P](#) [6131-220-25149P](#) [6131-259-11149P](#) [6131-259-21149P](#)  
[6131-259-23149P](#) [6131-263-19149P](#) [6131-265-17149P](#) [6131-265-19149P](#) [CS3102A-20-15P](#) [CS3102A-20-15S](#) [CS3102C18-4P-472](#)  
[CS3106A-20-29P](#) [CS3106A-20-74P](#)