

8/29/89 16:19 \* 89241 14.46 \* PRELISE \* 10-820020/039 0001

4

3

2

1

REVISIONS				
ZONE	LTR	DESCRIPTION	DATE	APPROVED
—	C	(CLII) ADDED NOTE 7 ECN:22391	08/29/89 BURNSIDE	m.n. J.B.

D

D

C

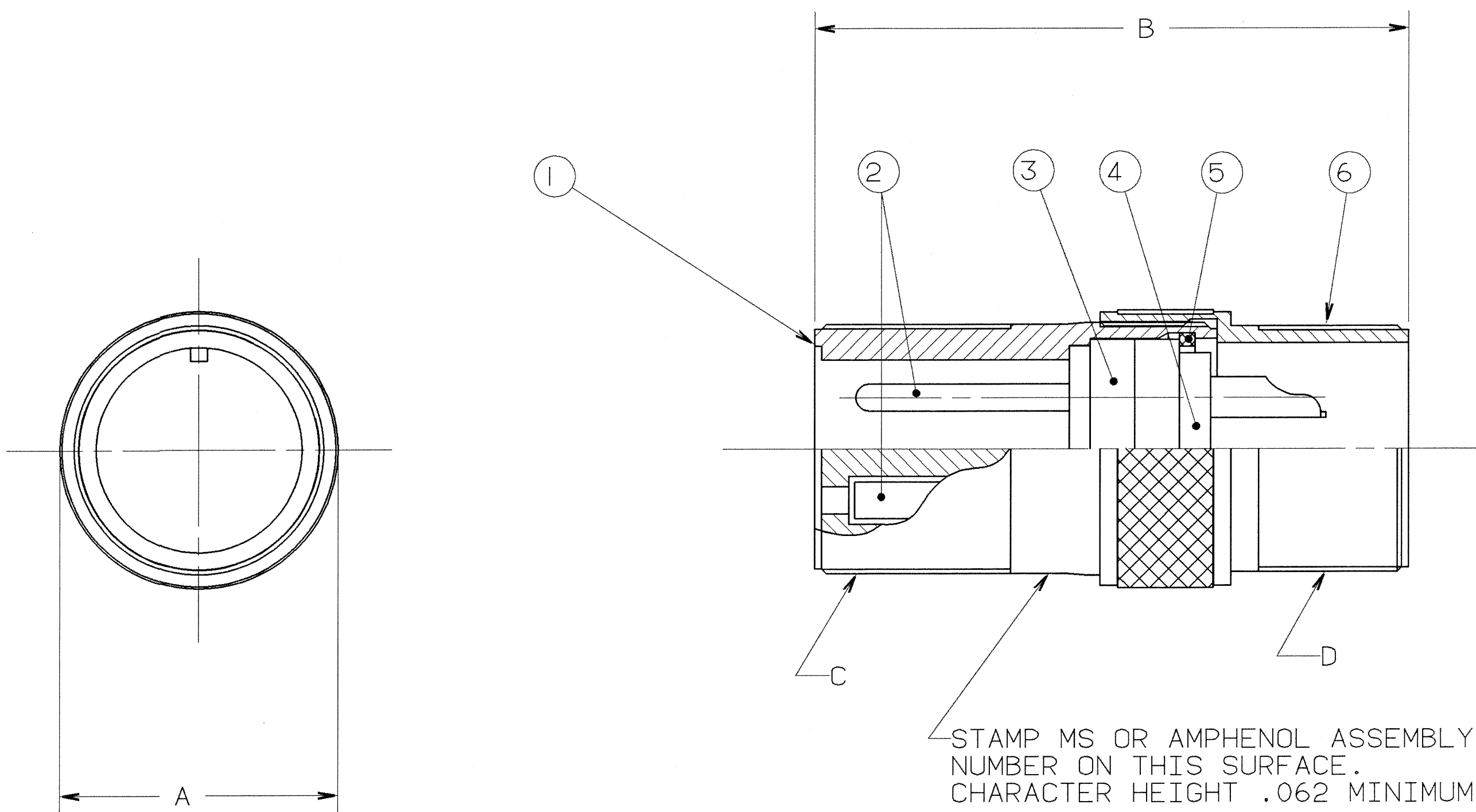
C

B

B

A

A



STAMP MS OR AMPHENOL ASSEMBLY (2) (6)  
NUMBER ON THIS SURFACE.  
CHARACTER HEIGHT .062 MINIMUM.

FIND NO.	QTY REQD.	FSCM NO.	PART NUMBER	DESCRIPTION	NOTE REF.
6	SEE NOTE		SEE NOTE 1	BACK SHELL	
5				RING, RETAINING	
4				INSERT, REAR	
3				INSERT, FRONT	
2				CONTACTS	
1				SHELL	

UNLESS OTHERWISE SPECIFIED  
LINEAR DIMENSIONS ARE IN  
INCHES.  
TOLERANCES: .XXX±.010,  
.XX ±.03, .X ±.1,  
ANGLES ±2°.  
OTHER STANDARDS PER 9-3800  
AND DOD-D-1000.  
NOTE REF. = (XX)

PARTS LIST			AMPHENOL CORPORATION BENDIX CONNECTOR OPERATIONS SIDNEY, N.Y.	
SPECIFICATIONS	SIGNATURES	DATES	SIZE	FSCM NO.
MATERIAL SPEC. N/A	PREPARED A. PRESCOTT CHECKED PHILPOTT MATERIAL	11/6/87 11/17/87	C	77820
PROCESS SPEC. 9-2437-33	APPROVED BERNHARDT APPROVED HAYNER 1ST PART NO.	11/17/87 11/17/87		
			SCALE	NONE
			WT.	
			REF	N/A
			SHEET	1 OF 2

SEE SHEET 2.  
NOTES:

THE USE OF THIS DOCUMENT IS UNLIMITED.  
HOWEVER, DOCUMENTS REFERENCED HEREON  
MAY CONTAIN LIMITED RIGHTS DATA.

N/A  
N/A  
NEXT ASSEMBLY

97-3101A

8/23/83 16:19 \* 89241 14 81 \* PRELISE \* 10-820020/039 0002

4

3

2

1

BENDIX ASSEMBLY NUMBER	AMPHENOL ASSEMBLY NUMBER	MS ASSEMBLY NUMBER	A DIA.	B	C THREAD	G THREAD
10-820020-()	97-3101A- 8S -()	MS3101A- 8S -()	.531	1.250	.5000-28 UNEF-2A	.5000-28 UNEF-2A
10-820021-()	-10S -()	-10S -()	.625	1.312	.6250-24 UNEF-2A	.5000-28 UNEF-2A
10-820022-()	-10SL-()	-10SL-()	.784	1.457	.6250-24 UNEF-2A	.6250-24 UNEF-2A
10-820023-()	-12S -()	-12S -()	.784	1.457	.7500-20 UNEF-2A	.6250-24 UNEF-2A
10-820024-()	-12SL-()	-12SL-()	NOT AVAILABLE			
10-820025-()	-12 -()	-12 -()	.784	1.844	.7500-20 UNEF-2A	.6250-24 UNEF-2A
10-820026-()	-14S -()	-14S -()	.875	1.438	.8750-20 UNEF-2A	.7500-20 UNEF-2A
10-820027-()	-14 -()	-14 -()	.875	1.844	.8750-20 UNEF-2A	.7500-20 UNEF-2A
10-820028-()	-16S -()	-16S -()	1.000	1.484	1.0000-20 UNEF-2A	.8750-20 UNEF-2A
10-820029-()	-16 -()	-16 -()	1.000	1.891	1.0000-20 UNEF-2A	.8750-20 UNEF-2A
10-820030-()	-18 -()	-18 -()	1.125	2.000	1.1250-18 UNEF-2A	1.0000-20 UNEF-2A
10-820031-()	-20 -()	-20 -()	1.250	2.125	1.2500-18 UNEF-2A	1.1875-18 UNEF-2A
10-820032-()	-22 -()	-22 -()	1.375	2.125	1.3750-18 UNEF-2A	1.1875-18 UNEF-2A
10-820033-()	-24 -()	-24 -()	1.500	2.250	1.5000-18 UNEF-2A	1.4375-18 UNEF-2A
10-820034-()	-28 -()	-28 -()	1.750	2.250	1.7500-18 UNEF-2A	1.4375-18 UNEF-2A
10-820035-()	-32 -()	-32 -()	2.031	2.375	2.0000-18 UNEF-2A	1.7500-18 UNEF-2A
10-820036-()	-36 -()	-36 -()	2.250	2.375	2.2500-16 UN-2A	2.0000-18 UNEF-2A
10-820037-()	-40 -()	-40 -()	2.750	2.375	2.5000-16 UN-2A	2.2500-16 UN-2A
10-820038-()	-44 -()	-44 -()	NOT AVAILABLE			
10-820039-()	-48 -()	-48 -()	NOT AVAILABLE			

D

D

C

C

B

97-3101A

A

A

TO COMPLETE, ADD APPLICABLE INSERT ARRANGEMENT SUFFIX PER 9-2437-33. <sup>6</sup>

7. IDENTIFY PACKAGE WITH APPLICABLE MS OR 97- PART NUMBER PER NOTE 6.
6. FOR BENDIX INSERT ARRANGEMENT SUFFIX -1 THROUGH -49, STAMP MS ASSEMBLY NUMBER. FOR BENDIX INSERT ARRANGEMENT SUFFIX -50 THROUGH -99, AND -AA THROUGH -BC, STAMP AMPHENOL ASSEMBLY NUMBER.
5. FOR CONTACT ARRANGEMENT, SEE MIL-STD-1651 AND L-22208-() THROUGH L-22248-().
4. PACKAGE PER PRODUCTION PROCESS SHEET.
3. UNITS MEET THE APPLICABLE REQUIREMENTS OF MIL-C-5015.
2. SEE WORK ORDER FOR PERMISSIBLE ADDITIONAL OR ALTERNATE STAMPING.
1. SEE SEPARATE PARTS LIST FOR COMPONENT PART NUMBERS AND QUANTITIES.

NOTES:

THE USE OF THIS DOCUMENT IS UNLIMITED. HOWEVER, DOCUMENTS REFERENCED HEREON MAY CONTAIN LIMITED RIGHTS DATA.

SIZE	FSCM NO.	REV.
C	77820	C
SCALE	WT.	REF.
		SHEET 2

COMPUTER GENERATED DRAWING

TAB.

## X-ON Electronics

Largest Supplier of Electrical and Electronic Components

*Click to view similar products for [Circular MIL Spec Connector](#) category:*

*Click to view products by [Amphenol](#) manufacturer:*

Other Similar products are found below :

[89075GULPR](#) [0025-262-542](#) [0025-264-3014](#) [58-570121-04S](#) [0134-213-1208](#) [0134-213-2209](#) [0025-258-000](#) [60-042022-07P](#) [60-042022-19P](#)  
[60-042022-23P](#) [60-042217-10P](#) [0114-201-1278](#) [012-0467-000](#) [602GB06EG24-61SN](#) [0134-201-1207](#) [0134-213-1006](#) [6104-207-2302](#) [6104-](#)  
[208-1902](#) [61-168211-04P](#) [61-168617-10P](#) [6131-202-19149P](#) [6131-204-21149P](#) [6131-208-13149P](#) [6131-209-17149P](#) [6131-210-11149P](#) [6131-](#)  
[211-19149P](#) [6131-216-19149P](#) [6131-259-21149P](#) [6131-259-23149P](#) [6131-265-17149P](#) [6131-265-19149P](#) [CS3100A18-1P-472](#) [CS3100A-36-](#)  
[77P](#) [CS3101A-16-55P](#) [CS3102A-10SL-55P](#) [CS3102A-14S-58P](#) [CS3102A-32-17P](#) [CS3102A32-25S](#) [CS3102C18-4P-472](#)  
[CS3106A10SL3S004](#) [CS3106A-18-73S](#) [CS3108A-14S-52S](#) [CS3108A-28-51S](#) [6162-233-1277](#) [6162-324-1231](#) [M243082296Z](#)  
[M2884010AC1S1](#) [CT0-24-10SC](#) [CT0M20-7PCAU](#) [M28840/17AC1G3](#)