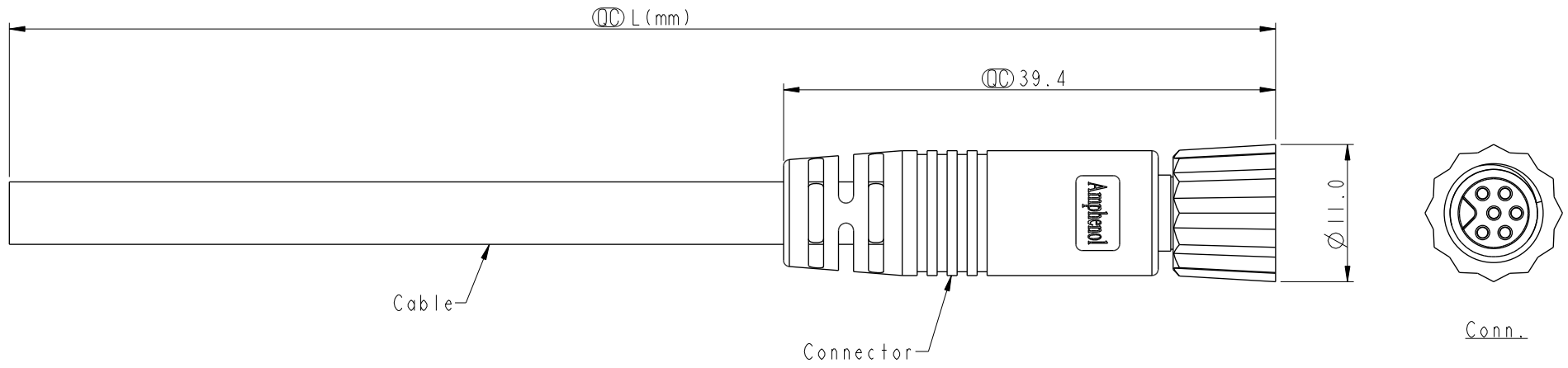


THIS DOCUMENT IS SUBJECT TO CHANGE WITHOUT NOTICE. IT IS CONFIDENTIAL AND A PROPERTY OF Amphenol LTW. DISCLOSURE TO THIRD PARTY HAS TO BE AUTHORIZED BY Amphenol LTW.

| REV. | ECN NO. | DATE       | SIGN  | DESCRIPTION      |
|------|---------|------------|-------|------------------|
| B    | C210625 | 2021/04/21 | Vicky | $\triangle B$ X8 |
| C    | C221870 | 2022/12/01 | Vicky | $\triangle C$ XI |



- $\triangle B$  Note:
- \* RoHS Compliant
  - \*  $\text{CC}$  Important dimension
  - $\triangle C$  \* Waterproof rate: IP67, mated
  - \* Connector
  - Housing: Thermoplastic, Black
  - Pin: Copper alloy, Gold plated
  - O-Ring: Rubber, Green
  - Nut: Thermoplastic, Black
  - Outer mold: Thermoplastic, Black
  - \* Cable: UL2464, PVC Jacket, Black
  - \* Cable length tolerance: 1M: +50/-0 mm
  - 1M < L ≤ 3M: +100/-0 mm
  - 3M < L ≤ 5M: +150/-0 mm
  - 5M < L ≤ 10M: ±100 mm
  - 10M < L ≤ 20M: ±200 mm
  - 20M < L ≤ 30M: ±300 mm
  - 30M < L ≤ 99M: ±500 mm

|                     |                |                               |   |               |
|---------------------|----------------|-------------------------------|---|---------------|
| UNIT: mm            |                |                               | TITLE<br>O SEN, M8 W/KEY-PLASTIC<br>CABLE W/SR, F, F, MOLDING | $\triangle B$ |
| TOLERANCE<br>±0.5mm | SCALE<br>2:1   | SIZE<br>A4                    | SHEET<br>1 OF 2   | REV.<br>C     |
|                     | WC-REV.<br>A.4 | $\text{CC}$ : Inspection item |   |               |

|                     |  |   |                      |                    |
|---------------------|--|---|----------------------|--------------------|
| <b>Amphenol LTW</b> |  | ITEM NO                                   | DRAWN BY             | DATE               |
| 安費諾亮泰企業股份有限公司       |  | DWG NO<br>$\triangle B$ 8AP-XXAFFM-SL7AXX | Mila                 | 2014-01-09         |
|                     |  | CUSTOMER<br>ALTW                          | CHECKED BY<br>Jimmy  | DATE<br>2014-01-09 |
|                     |  |   | APPROVED BY<br>Jerry | DATE<br>2014-01-09 |



## X-ON Electronics

Largest Supplier of Electrical and Electronic Components

*Click to view similar products for [Sensor Cables / Actuator Cables](#) category:*

*Click to view products by [Amphenol](#) manufacturer:*

Other Similar products are found below :

[60963](#) [60964](#) [M83513/19-F01CP](#) [703000D02F2002](#) [703000D02F300](#) [703001D02F1201](#) [704000D02F120](#) [802027213811-1](#) [84914-0235](#)  
[883030A09M050](#) [884031A09M005](#) [8R4006A18M010](#) [1200980008](#) [1200980031](#) [1211810021](#) [1400637](#) [1401201](#) [1401348](#) [1405278](#)  
[1408644/94F/8](#) [1455311](#) [1513981](#) [1550119](#) [1554212](#) [1R3006A20A120G](#) [1R4004A17A120](#) [1R4006A20A1202](#) [1R4006A39M005](#) [2289297-6](#)  
[8R3006A16A1203](#) [8R5E36E03M020](#) [2R7004A20F060](#) [301000A01F200](#) [301002A01F120](#) [2289297-1](#) [2289297-8](#) [2289297-9](#)  
[302000A01F120](#) [CONM6A-S2](#) [332021A01F200](#) [3R1006A20F030](#) [3R9006A20A1201](#) [403001A10M040](#) [4030P1A10M040](#) [41-01023](#)  
[MBCC-412](#) [1R3G06A20A120](#) [543031A10M010](#) [884030A09M100](#) [883033A09M020](#)