

SPECIFICATIONS

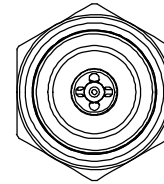
ELECTRICAL

FREQUENCY RANGE _____ 10MHz - 50GHz
 VSWR
 10MHz - 50 GHz _____ <1.65:1
 INSERTION LOSS
 10MHz - 40GHz _____ 1 dB MAX
 40GHz - 50GHz _____ 1.25 dB MAX
 VOLTAGE _____ 100 VOLTS MAX (INNER ONLY)
 IMPEDANCE _____ 50 OHMS
 OPERATING TEMP RANGE _____ -35°C TO +85°C

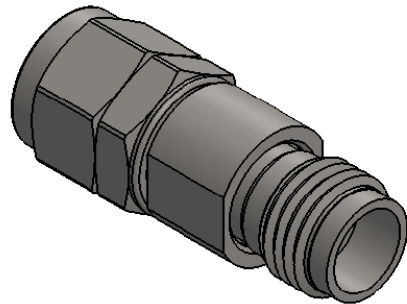
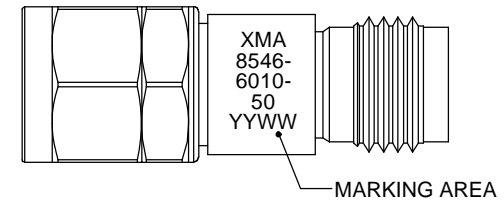
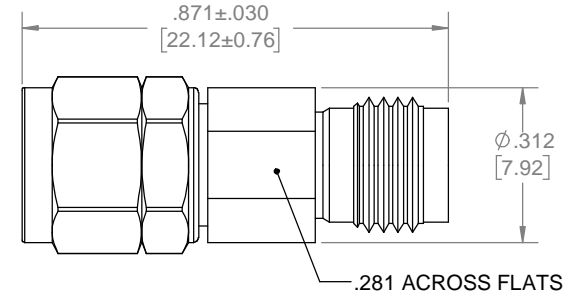
MECHANICAL

CENTER CONDUCTOR _____ BERYLLIUM COPPER
 GOLD PLATE IAW MIL-PRF-39012
 HOUSING _____ STAINLESS STEEL PER
 ASTM A484 & A582, CLASS 303, COND. A.
 PASSIVATED PER ASTM A380
 DIELECTRIC _____ TEFLON
 MARKING _____

PART LOOKS LIKE PRODUCT IMAGE ABOVE.
 PART MARKING ORIENTATION AND FORMAT AS SHOWN.
 MARKING TO BE AS LARGE AS POSSIBLE, CLEAR, READABLE.
 YYWW EQUALS DATE CODE.



REVISIONS				
REV	DESCRIPTION	ECO #	DATE	APPROVED
A	INITIAL RELEASE	15-017	1/20/15	T.KUHN
B	ADDED "XMA" TO MARKING	17-077	5/30/17	T.KUHN



QTY.	PART NUMBER	DESCRIPTION	ITEM NO.
X	8546-6010-50	DC BLOCK, 2.4mm-m/f, 10MHz-50GHz, 100V	
1	TA-8546-6010-50U	ASSEMBLY, DC BLOCK, 2.4mm-m/f, 10MHz-50GHz, 100V, UNMARKED	1

DRAWING PRACTICES PER ANSI-Y-14.5 MIL-STD-100 & 1000
 DIMENSIONS ARE IN INCHES AND APPLY BEFORE / AFTER PROCESSING
 SURFACE ROUGHNESS μ INCHES **63**
 FINISH:
 SEE NOTES
 MATERIAL:
 SEE NOTES
 NOTE:
 THIS DRAWING INCORPORATES THIRD ANGLE PROJECTION.
 INTERPRET IAW ANSI Y14.5-1982

UNLESS OTHERWISE SPECIFIED TOLERANCES IN:
 DECIMALS INCH [MM]
 .X" .05" [1.27]
 .XX" .03" [.76]
 .XXX" .010" [.25]
 ANGLES $\pm 0^{\circ}30'$
 REMOVE ALL BURRS/SHARP W/ BREAK / R OF .003" TO .0005" UNLESS OTHERWISE NOTED
 DIAS CONCENTRIC <.003 T.I.R.
 DO NOT SCALE PRINT

DRAWN DATE
MCCORMICK 1/20/15
 CHECKED DATE
MCCORMICK 1/20/15
 ENG. APPR. DATE
T.KUHN 1/20/15

THESE DRAWINGS AND SPECIFICATIONS ARE THE PROPERTY OF XMA CORP. OR OMNI SPECTRA AND SHALL NOT BE REPRODUCED, COPIED NOR USED - IN WHOLE OR IN PART - AS A BASIS FOR THE MANUFACTURE OR SALE OF OTHER ITEMS WITHOUT THE EXPRESS WRITTEN PERMISSION OF XMA CORP.

Phone: 603-222-2256 Fax: 603-222-2259
 150 Dow Street, Manchester, NH 03101
 TITLE
DC BLOCK, 2.4mm-m/f, 10MHz-50GHz, 100V

SIZE B	CAGE CODE 3HT76	DRAWING NUMBER 8546-6010-50	REV B
SCALE	PLATED AREA SQ. IN	SHEET 1 OF 1	

X-ON Electronics

Largest Supplier of Electrical and Electronic Components

Click to view similar products for [RF Adapters - In Series](#) category:

Click to view products by [Amphenol](#) manufacturer:

Other Similar products are found below :

[5918-1103-000](#) [5919-9503-000](#) [651A505](#) [R114703000W](#) [R142720000W](#) [R222M40050](#) [R223703180](#) [HRM-513S](#) [KC-79-179](#) [KN-99-14](#)
[252169-75](#) [252186](#) [R142710000](#) [R142723000](#) [R161703000](#) [R161715000W](#) [R405005000](#) [KA-99-56](#) [KC-59-270](#) [KC-59-284](#) [KC-79-131](#)
[KC-99-35](#) [KC-99-40](#) [756-18-9](#) [84004734](#) [R164705000](#) [R222M40080](#) [R124720003W](#) [R142723000W](#) [R222M40060](#) [755-93-7](#) [3094317](#)
[5917-9103-000](#) [920-56](#) [R125704001](#) [R143753000W](#) [R143720000](#) [9176-9113-000](#) [R222M40107](#) [R114009000](#) [R124720003](#) [AD48](#) [ADP-](#)
[NF-NF](#) [R142562290](#) [ADAPT/SMAM/SMAM/RP](#) [CT3388](#) [CT2765](#) [2477400-1](#) [142-0901-431](#) [53BK501-K00N1](#)