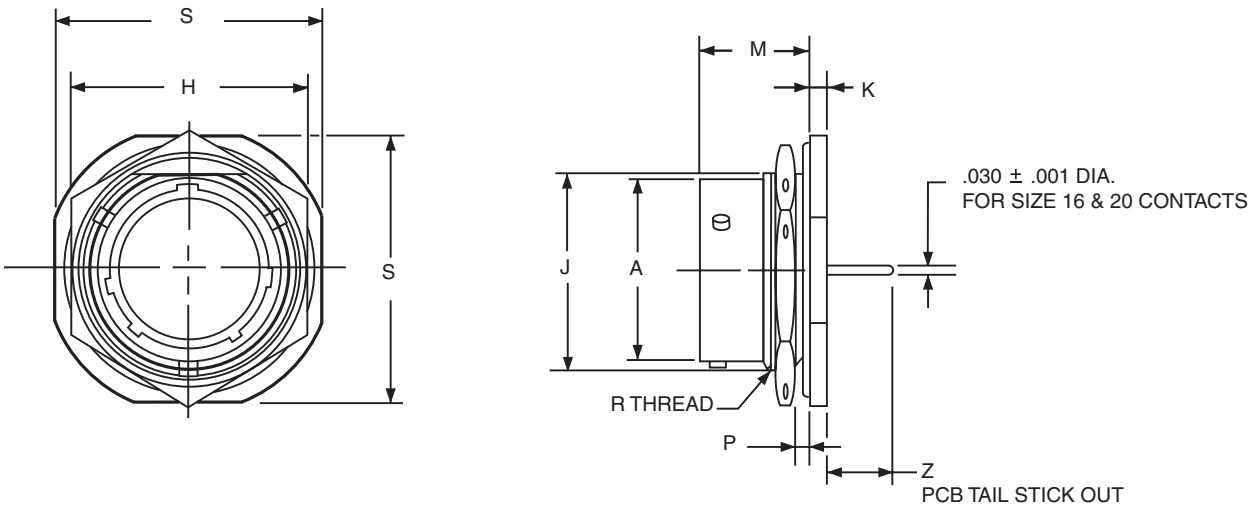


MIL-C-26482 Series 1 Type Connectors with PCB contacts PT07 jam nut receptacle



HOW TO ORDER

- Order by applicable 71 part number in table below.
71 prefix designates olive drab cadmium plated connector shell.
(For availability of other finishes consult Amphenol, Sidney, NY)
- Add insert arrangement to end of number. Refer to insert availability chart on page 4 and pin-out illustrations on pages 5-24. Last letter of part number designates rotation; P for pins in normal position, S for sockets in normal position. See page 26 for alternate rotation letter to use.
Example part number: 71-533721-98P designates shell size 8 with a 8-98 insert and pin contacts in normal position.
- Z dimension is determined by contact type in the insert arrangement.
- Most common options are shown; other options are available.

All lockwire holes are .044 dia. min.

Shell Size	Part Number	A Dia. +.001 -.005	H +.017 -.016	J Flat +.000 -.010	K +.011 -.010	M ±.010	P Panel Thickness		R Thread Class 2A	S ±.010	Z +.025 -.035
							Min.	Max.			Size 16 & 20 Contacts
6	71-533720-XXX	.348	.625	.405	.125	.696	.062	.125	.4375-28 UNEF	.812	.376
8	71-533721-XXX	.473	.750	.530	.125	.696	.062	.125	.5625-24 UNEF	.938	.376
10	71-533722-XXX	.590	.875	.655	.125	.696	.062	.125	.6875-24 UNEF	1.062	.376
12	71-533723-XXX	.750	1.062	.818	.125	.696	.062	.125	.8750-20 UNEF	1.250	.376
14	71-533724-XXX	.875	1.188	.942	.125	.696	.062	.125	1.0000-20 UNEF	1.375	.376
16	71-533725-XXX	1.000	1.312	1.066	.125	.696	.062	.125	1.1250-18 UNEF	1.500	.376
18	71-533726-XXX	1.125	1.438	1.191	.125	.696	.062	.125	1.2500-18 UNEF	1.625	.376
20	71-533727-XXX	1.250	1.562	1.316	.156	.884	.062	.250	1.3750-18 UNEF	1.812	.367
22	71-533728-XXX	1.375	1.688	1.441	.156	.884	.062	.250	1.5000-18 UNEF	1.938	.367
24	71-533729-XXX	1.500	1.816	1.566	.156	.917	.062	.250	1.6250-18 UNEF	2.062	.334

All dimensions for reference only.

X-ON Electronics

Largest Supplier of Electrical and Electronic Components

Click to view similar products for [Circular MIL Spec Connector](#) category:

Click to view products by [Amphenol](#) manufacturer:

Other Similar products are found below :

[0025-262-542](#) [0025-264-3014](#) [58-570121-04S](#) [0134-202-1200](#) [0134-207-1206](#) [0134-207-1800](#) [0134-207-2207](#) [0134-213-0806](#) [0134-213-1007](#) [0134-213-1009](#) [0134-213-1208](#) [0134-213-1800](#) [0134-213-2209](#) [0025-258-000](#) [015-9516-002](#) [60-042722-19P](#) [0114-201-1278](#) [602GB06EG24-61SN](#) [0134-201-1207](#) [0134-201-1806](#) [0134-201-2006](#) [0134-201-2007](#) [0134-201-2010](#) [0134-202-1400](#) [0134-207-0809](#) [0134-207-1208](#) [0134-207-2009](#) [0134-213-1006](#) [6104-207-2302](#) [6104-208-1902](#) [6104-215-0902](#) [6131-202-19149P](#) [6131-204-21149P](#) [6131-207-13149P](#) [6131-208-13149P](#) [6131-209-17149P](#) [6131-210-11149P](#) [6131-211-19149P](#) [6131-216-19149P](#) [6131-220-25149P](#) [6131-259-11149P](#) [6131-259-21149P](#) [6131-259-23149P](#) [6131-263-19149P](#) [6131-265-17149P](#) [6131-265-19149P](#) [CS3102A-20-15P](#) [CS3102A-20-15S](#) [CS3102C18-4P-472](#) [CS3106A-20-29P](#)