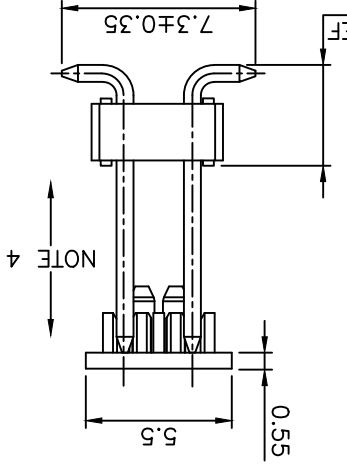
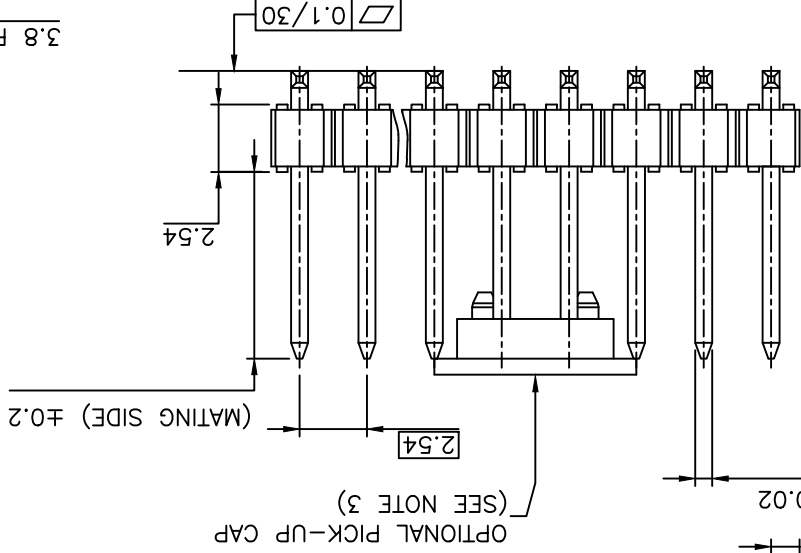
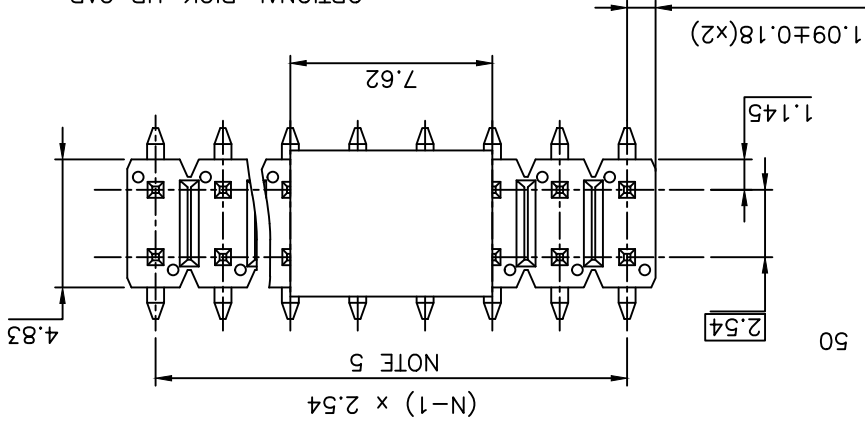


PRODUCT NUMBER  
95278-YXX-XXLF

- NOTES:
- 1. HOUSING MAT'L: HIGH TEMPERATURE THERMOPLASTIC, UL94V-0 COLOR: BLACK
  - 2. PIN MATERIAL: PHOSPHOR BRONZE
  - 3 - PACKAGING OPTIONS:
    - = POLY BAGS
    - B = TUBE + CAP
    - A = TAPE & REEL WITH CAP, AS AVAILABLE
    - TR = CUSTOM TAPE & REEL WITH CAP, SEE TA840
    - ONLY FOR P/N 95278-102TR04LF AND P/N 95278-101TR10LF
    - T = TUBE WITHOUT PICK UP CAP
    - K = TAPE & REEL WITHOUT PICK UP CAP, AS AVAILABLE
  - 4. 9N MIN RETENTION IN EITHER DIRECTION
  - 5. TO DETERMINE DIMENSIONS:
    - N = NUMBER OF POSITIONS PER ROW
    - 6. ROHS COMPATIBLE, NOTE 6.
    - TOTAL NB OF POSITIONS 04 TO 50
    - PACKAGING OPTIONS, NOTE 3.
    - PIN STYLE SEE SHEET 2
    - PLATING SEE SHEET 2



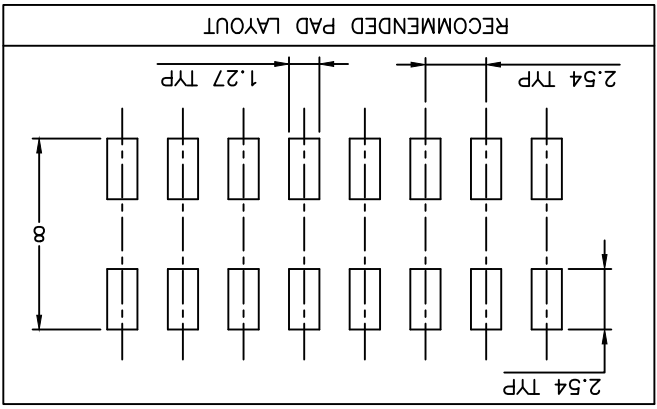
- a - PLATING:
  - "LF" MEANS THE PRODUCT IS LEAD-FREE,
  - 2µm MINIMUM MATTE TIN OVER 1.27µm MINIMUM NICKEL UNDERPLATE.
- b - MANUFACTURING PROCESS COMPATIBILITY
- THE HOUSING WILL WITHSTAND EXPOSURE TO 260°C PEAK TEMPERATURE FOR 30 SECONDS IN A CONVECTION, INFRA-RED OR VAPOR PHASE REFLOW OVEN.
- c - LABELING:
  - MEETS PACKAGING SPECS AS PER GS-14-920
  - LEGAL STATEMENT: SEE GS-47-0004

|             |         |           |          |                                       |          |            |                |              |
|-------------|---------|-----------|----------|---------------------------------------|----------|------------|----------------|--------------|
| mat'l. code | surface | tolerance | ISO 1302 | ISO 406                               | ISO 1101 | projection | product family | BERGSTIK     |
| litr        | ecn no  | dr        | date     | tolerances unless otherwise specified |          |            | title          | UNSHR.HEADER |
| W           | F-22120 | BVE       | 15.10.09 | mm                                    | xx       | ±0.3       | scale          | 5:1          |
| X           | F-22217 | BVE       | 15.10.19 | angles                                | linear   | xxx        | ±0.13          |              |
| Y           | F-23055 | AMA       | 16.01.15 |                                       |          |            |                |              |
| AA          | F-23246 | AMA       | 16.02.12 | dr                                    | D.LE     | 01.01.24   | dwg no         | 95278        |
| AB          | F-23258 | AMA       | 16.02.15 | engr                                  | JM.C     | 01.01.24   | sheet 1 of 2   | size         |
| AC          | F-23474 | JJU       | 16.03.08 | chr                                   | JM.C     | 01.01.24   | type           | CUSTOMER     |
| AD          | F-31155 | DDE       | 18.09.05 | appd                                  | JF.N     | 01.01.24   | Drawing        | A3           |
| index       | sheet   | revision  | AD U     |                                       |          |            |                |              |
| 1           | 2       |           |          |                                       |          |            |                |              |

| PIN STYLE | MATING |
|-----------|--------|
| 01        | 5.9    |
| 02        | 8      |
| 03        | 9.9    |
| 04        | 11.4   |
| 05        | 9.2    |
| 06        | 10.4   |
| 07        | 5.3    |
| 09        | 17.00  |
| 10        | 8.10   |
| 11        | 8.50   |
| 12        | 3.05   |
| 13        | 14.35  |
| 14        | 4.00   |
| 15        | 6.60   |

PLATING

- 1 = 0.76µm GOLD/GXT ON CONTACT AREA, 2µm TIN MIN ON TAIL
- 4 = 2µm TIN MIN FULL PLATED
- 5 = 0.25µm GOLD/GXT ON CONTACT AREA, 2µm TIN MIN ON TAIL
- 8 = 0.38µm GOLD/GXT ON CONTACT AREA, 2µm TIN MIN ON TAIL
- 1.27µm NICKEL MIN UNDERLAYER FOR ALL PLATING VERSIONS



|             |          |          |           |                                       |            |                |              |
|-------------|----------|----------|-----------|---------------------------------------|------------|----------------|--------------|
| mat'l. code | surface  | ISO 1302 | tolerance | ISO 406 ISO 1101                      | projection | product family | BERGSTIK     |
| ltr         | ecn no   | dr       | date      | tolerances unless otherwise specified | projection | title          | UNSHR.HEADER |
| N           | F08-0253 | LMU      | 08.12.10  | angles                                | linear     | mm             | DR SMT       |
| P           | B-18789  | LMU      | 14.09.11  | angles                                | linear     | mm             | DR SMT       |
| R           | B-18983  | LMU      | 14.10.03  | angles                                | linear     | mm             | DR SMT       |
| S           | B-20276  | LMU      | 15.02.16  | dr                                    | D.LE       | 01.01.24       | sheet no     |
| T           | B-20561  | AMA      | 15.03.26  | engr                                  | JM.C       | 01.01.24       | 95278        |
| U           | F-22120  | BVE      | 15.10.09  | chr                                   | JM.C       | 01.01.24       | CUSTOMER     |
| sheet       | revision | appd     | JF.N      | 01.01.24                              | scale N/A  | type           | Drawing      |
| index       | sheet    |          |           |                                       |            |                |              |

## X-ON Electronics

Largest Supplier of Electrical and Electronic Components

*Click to view similar products for [Headers & Wire Housings](#) category:*

*Click to view products by [Amphenol](#) manufacturer:*

Other Similar products are found below :

[95000-104TRLF](#) [10135584-644402LF](#) [DF62W-EP2022PCA](#) [95000-106TRLF](#) [DF62W-2022SCA](#) [DF62W-EP2022PC](#) [2203348](#) [DF62W-2022SC](#) [1084018](#) [1029039](#) [1084017](#) [802-10-012-10-002000](#) [1112640](#) [1112639](#) [891-007-9SS-BST1T](#) [000-34000](#) [0008550134](#) [0009482033](#) [0009507031](#) [57102-F02-18ULF](#) [57102-S06-03LF](#) [57202-S52-04LF](#) [PCN6-15S-2.5E](#) [0039019024](#) [58102-G61-06LF](#) [582553-1](#) [0009485154](#) [0009508121](#) [009176003701906](#) [0022285053](#) [0050291907](#) [018731A](#) [LY20-4P-DT1-P1E-BR](#) [02.125.8002.8](#) [60101931](#) [60598-1 \(Cut Strip\)](#) [M1625-3R/100](#) [61062-3](#) [61082-181009](#) [CSU011177004](#) [636-1427](#) [638009-1](#) [641938-9](#) [641991-4](#) [644168-1](#) [644827-2](#) [647662-1](#) [65039-019ELF](#) [65692-001LF](#) [65781-018](#)