

SPECIFICATIONS

ELECTRICAL

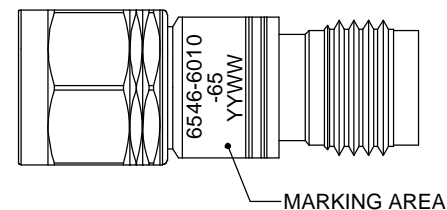
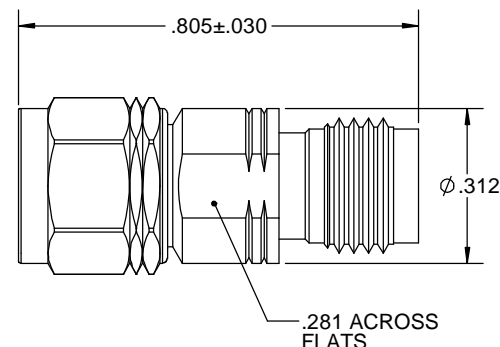
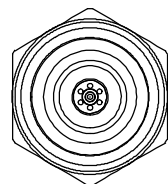
FREQUENCY RANGE _____ 10MHz - 65GHz
 VSWR
 10MHz - 65 GHz _____ <1.60:1 MAX
 INSERTION LOSS
 10MHz - 65GHz _____ 1.25 dB MAX
 AVERAGE POWER _____ 1 WATT
 VOLTAGE _____ 16 VOLTS MAX (INNER ONLY)
 IMPEDANCE _____ 50 OHMS
 OPERATING TEMP RANGE _____ -55°C TO +100°C

MECHANICAL

CENTER CONDUCTOR _____ BERYLLIUM COPPER
 GOLD PLATE IAW MIL-PRF-39012
 HOUSING _____ STAINLESS STEEL PER
 ASTM A484 & A582, CLASS 303, COND. A.
 PASSIVATED PER ASTM A380
 DIELECTRIC _____ TEFLON
 WEIGHT _____ 5g MAX
 RoHS COMPLIANT DEVICE

MARKING

PART LOOKS LIKE PRODUCT IMAGE SHOWN.
 PART MARKING ORIENTATION AND FORMAT AS SHOWN.
 MARKING TO BE AS LARGE AS POSSIBLE BE, CLEAR, READABLE.
 YYWW EQUALS DATE CODE



REVISIONS				
REV	DESCRIPTION	ECO #	DATE	APPROVED
-	INITIAL RELEASE	18-128	8/27/18	T.KUHN

QTY.	PART NUMBER	DESCRIPTION	ITEM NO.
X	6546-6010-65	DC BLOCK, 1.85mm-m/f, 10MHz-65GHz, 16V	
1	TA-6546-6010-65U	ASSEMBLY, DC BLOCK, 1.85mm-m/f, 10MHz-65GHz, 16V, UNMARKED	1

DRAWING PRACTICES PER ANSI-Y-14.5 MIL-STD-100 & 1000
 DIMENSIONS ARE IN INCHES AND APPLY BEFORE / AFTER PROCESSING
 SURFACE ROUGHNESS μ INCHES **63**
 FINISH:
 SEE NOTE
 MATERIAL:
 SEE NOTE
 NOTE:
 THIS DRAWING INCORPORATES THIRD ANGLE PROJECTION.

 INTERPRET IAW ANSI Y14.5-1982

UNLESS OTHERWISE SPECIFIED TOLERANCES IN:
 DECIMALS INCH [MM]
 .X" .03" [.76]
 .XX" .010" [.25]
 .XXX" .005 [.127]
 .XXXX" .0005 [.013]
 ANGLES $\pm 0^{\circ}30'$
 REMOVE ALL BURRS/SHARP W/ BREAK / R OF .003" TO .0005" UNLESS OTHERWISE NOTED DIAS CONCENTRIC <.003 T.I.R.
 DO NOT SCALE PRINT

DRAWN DATE
MCCORMICK 3/5/18
 CHECKED DATE
MCCORMICK 3/5/18
 ENG. APPR. DATE
T.KUHN 3/5/18

Phone: 603-222-2256 Fax: 603-222-2259
 7 Perimeter Road, Manchester, NH 03103

TITLE
DC BLOCK, 1.85mm-m/f, 10MHz-65GHz, 16V

SIZE B	CAGE CODE 3HT76	DRAWING NUMBER 6546-6010-65	REV -
SCALE	PLATED AREA SQ. IN	SHEET 1 OF 1	

THESE DRAWINGS AND SPECIFICATIONS ARE THE PROPERTY OF XMA CORP. OR OMNI SPECTRA AND SHALL NOT BE REPRODUCED, COPIED NOR USED - IN WHOLE OR IN PART - AS A BASIS FOR THE MANUFACTURE OR SALE OF OTHER ITEMS WITHOUT THE EXPRESS WRITTEN PERMISSION OF XMA CORP.

X-ON Electronics

Largest Supplier of Electrical and Electronic Components

Click to view similar products for [RF Adapters - In Series](#) category:

Click to view products by [Amphenol](#) manufacturer:

Other Similar products are found below :

[5918-1103-000](#) [5919-9503-000](#) [651A505](#) [R114703000W](#) [R142720000W](#) [R222M40050](#) [R223703180](#) [HRM-513S](#) [KC-79-179](#) [KN-99-14](#)
[252169-75](#) [252186](#) [R142710000](#) [R142723000](#) [R161703000](#) [R161715000W](#) [R405005000](#) [KA-99-56](#) [KC-59-270](#) [KC-59-284](#) [KC-79-131](#)
[KC-99-35](#) [KC-99-40](#) [756-18-9](#) [84004734](#) [R164705000](#) [R222M40080](#) [R124720003W](#) [R142723000W](#) [R222M40060](#) [755-93-7](#) [3094317](#)
[5917-9103-000](#) [920-56](#) [R125704001](#) [R143753000W](#) [R143720000](#) [9176-9113-000](#) [R222M40107](#) [R114009000](#) [R124720003](#) [AD48](#) [ADP-](#)
[NF-NF](#) [R142562290](#) [ADAPT/SMAM/SMAM/RP](#) [CT3388](#) [CT2765](#) [2477400-1](#) [142-0901-431](#) [53BK501-K00N1](#)