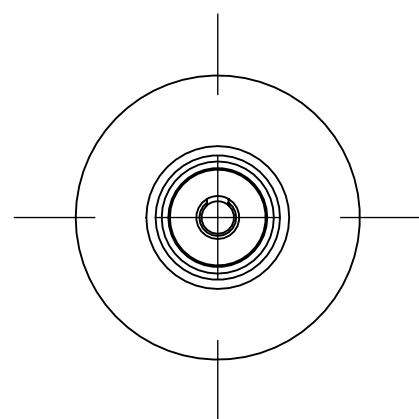
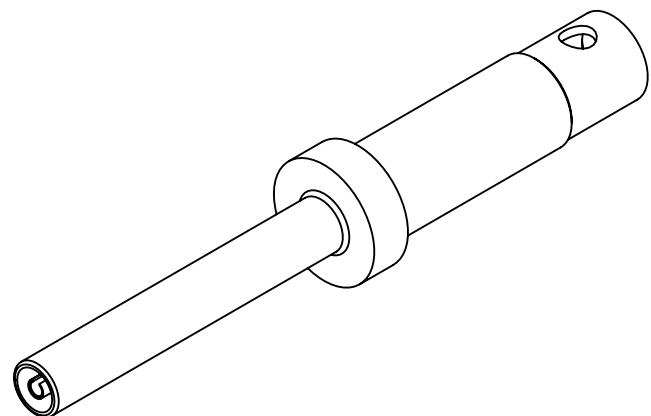
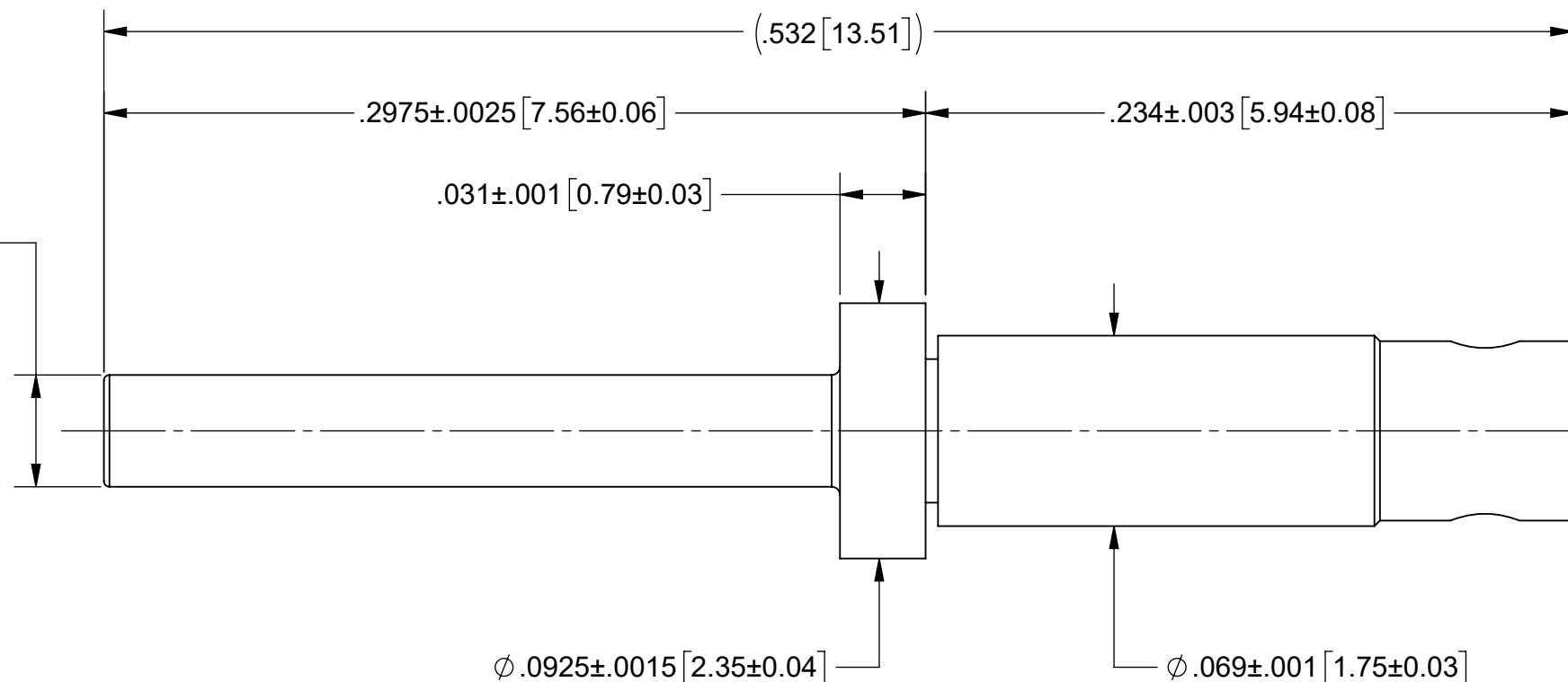


PRODUCT DATA DRAWING

REVISION HISTORY			
REV	DESCRIPTION	DATE	APPROVED
A	55097	8/24	SEE PDM



$\phi .040 \pm .001$ [1.02±0.03]



MATERIAL:

BODY, FERRULE, & CONTACT:

BERYLLIUM COPPER PER ASTM B196, ALLOY No. UNS C17300, TD04.

INSULATOR:

PTFE PER ASTM D1710, TYPE I, GRADE 1, CLASS B.

BEAD:

ULTEM 1000 PER ASTM D5205

FINISH:

BODY, FERRULE, & CONTACT:

GOLD PER ASTM B488, TYPE II, CODE C, CLASS 1.27, OVER NICKEL PER AMS-QQ-N-290, CLASS 1, .00005" MIN.


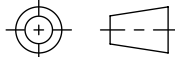
PERFORMANCE:

IMPEDANCE:
FREQ. RANGE:

50 OHMS
DC TO 40.0 GHz.

NOTES:

- DESIGNED FOR USE IN SERIES I, II, III, AND IV D38999 CIRCULAR CONNECTORS.
- MATES TO 2051-60001.

MATERIAL: SEE NOTES	DIMENSIONS ARE IN INCHES TOLERANCES: FRACTIONAL: $\pm 1/64$ ANGULAR: X° $\pm 1'0''$ X'X' $\pm 15''$	UNLESS OTHERWISE SPECIFIED 1) ALL DIMENSIONS ARE IN INCHES (MILLIMETERS) 2) ALL DIMENSIONS ARE AFTER PLATING. 3) BREAK CORNERS & EDGES .005 R. MAX. 4) CHAM. 1ST & LAST THREADS. 5) SURFACE ROUGHNESS 63-MIL-STD-10. 6) DIA: 'S ON COMMON CENTERS TO BE CONCENTRIC WITHIN .005 T.I.R. 7) REMOVE ALL BURRS	 www.svmicrowave.com TITLE: SV20 SIZE 20 PIN CONTACT FOR .047 CABLE
FINISH: SEE NOTES	DECIMAL: X $\pm .030$.XX $\pm .010$.XXX $\pm .005$	INTERPRET DIMENSIONS AND TOLERANCES PER ASME Y14.5M - 1994	
SURFACE AREA: N/A	THIRD ANGLE PROJECTION	DRAWN: JPM 07/19/24	SIZE DWG. NO. 2041-40001
PROPRIETARY THE INFORMATION CONTAINED IN THIS DRAWING IS THE SOLE PROPERTY OF SV MICROWAVE, INC. ANY REPRODUCTION IN PART OR AS A WHOLE WITHOUT THE WRITTEN PERMISSION OF SV MICROWAVE, INC IS PROHIBITED.		CHECKED: SEE PDM	SCALE: 16:1
		APPROVED: SEE PDM	SHEET 1 OF 1

X-ON Electronics

Largest Supplier of Electrical and Electronic Components

Click to view similar products for [Circular MIL Spec Contacts](#) category:

Click to view products by [Amphenol](#) manufacturer:

Other Similar products are found below :

[010612-25-3](#) [CT1M22-2SS](#) [71-VEAM](#) [811393-000](#) [850-014](#) [D-602-0106CS076](#) [AIC12-10P](#) [AIC12-12SG](#) [AIC16-16PG](#) [AIC16-2024SG](#)
[AIC16S-22SG](#) [AIC8-8SG](#) [AIC8-8SRAD](#) [1495044-1](#) [BACC47CP3S](#) [BACC47DP4](#) [BACC47GD3A](#) [BACC47GN1](#) [EN3155-009F2222](#)
[16968/2C](#) [CB2-18-20PC](#) [CB2-18-20PCAU](#) [CB2-18-20PWC](#) [CB2-18-20PXC](#) [CB2-18-20PYC](#) [CB2-22-2PSA34-M4](#) [CB2-22-2S0A34](#) [CB2-](#)
[22-2SSA34-M4](#) [CB2-28-9SC](#) [CB6PG28-22PC](#) [27963-12T112](#) [27963-15T112](#) [27964-38T112](#) [2M809-118](#) [2M809-155](#) [97-67-36-20](#) [AIC0-](#)
[0PG](#) [AIC0-2P](#) [AIC16-12SG](#) [AIC16-14SG](#) [AIC16-18S](#) [AIC16-20PG](#) [AIC16S-16SG](#) [AIC16S-24S](#) [AIC4-4PG](#) [AIC8-10P](#) [FRCIR00-36B-78P-](#)
[F80](#) [FRCIR030RVFP-16S-1P-F80-VO](#) [FRCIR030RVFP-36A-22PF80T118](#) [CE102S-18](#)