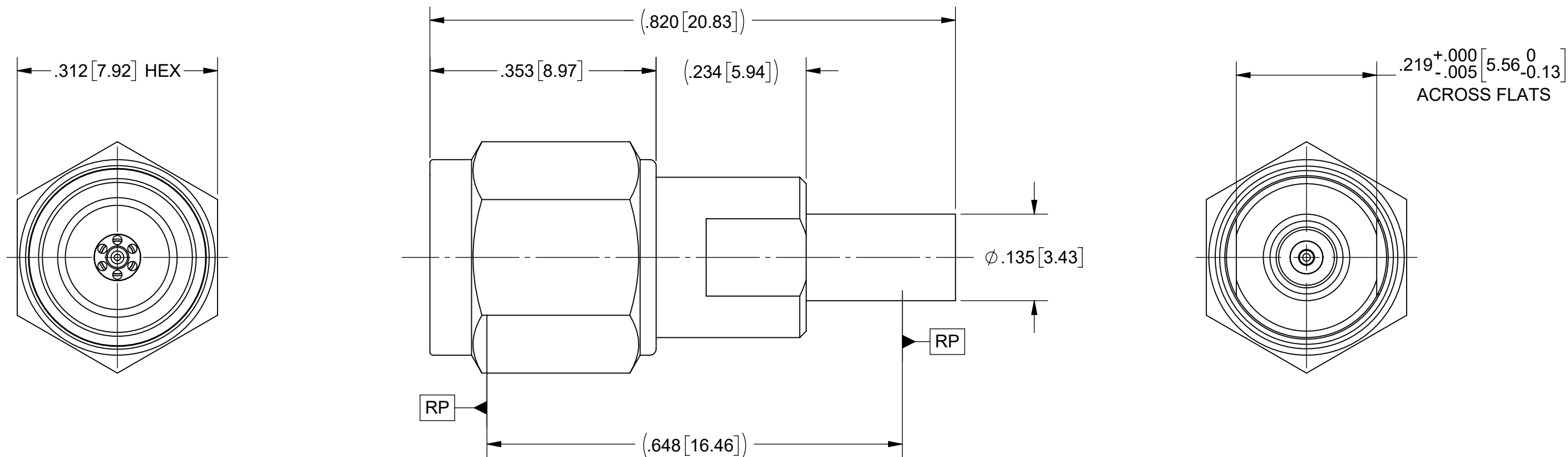


PRODUCT DATA DRAWING

REVISION HISTORY			
REV	DESCRIPTION	DATE	APPROVED
-	DCN 55039	08/24	SEE PDM



MATERIAL:

BODY, INSERT & COUPLING NUT:

STAINLESS STEEL PER AMS-5640, ALLOY UNS S30300, TYPE 1, OR ASTM A582, TYPE 303, CONDITION A.

LOCK RING & CONTACT:

BERYLLIUM COPPER PER ASTM B196, ALLOY No. UNS C17300, TD04.

INSULATOR:

PTFE PER ASTM D1710, TYPE I, GRADE 1, CLASS B.

BEAD:

ULTEM 1000

GASKET:

SILICONE RUBBER PER A-A-59588, CLASS 2B, GRADE 60 OR 70.

FINISH:

BODY, INSERT & COUPLING NUT:

PASSIVATED PER AMS-2700.

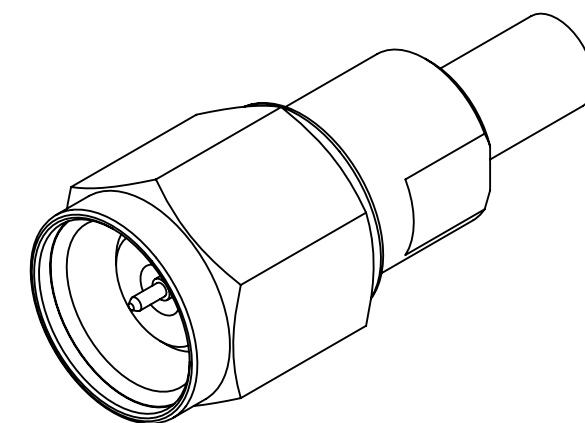
CONTACT:


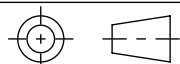
GOLD PER ASTM B488, TYPE II, CODE C, CLASS 1.27, OVER NICKEL PER AMS-QQ-N-290, CLASS 1, .00005" MIN.

PERFORMANCE:

IMPEDANCE:
FREQ. RANGE:

50 OHMS
DC TO 65.0 GHz



MATERIAL:	SEE NOTES	DIMENSIONS ARE IN INCHES TOLERANCES:	UNLESS OTHERWISE SPECIFIED 1) ALL DIMENSIONS ARE IN INCHES (MILLIMETERS) 2) ALL DIMENSIONS ARE AFTER PLATING. 3) BREAK CORNERS & EDGES .005 R. MAX. 4) CHAM. 1ST & LAST THREADS. 5) SURFACE ROUGHNESS 63-MIL-STD-10. 6) DIA: 'S ON COMMON CENTERS TO BE CONCENTRIC WITHIN .005 T.I.R. 7) REMOVE ALL BURRS	 www.svmicrowave.com TITLE: SMPM FD MALE TO 1.85mm MALE STRAIGHT ADAPTER
FINISH:	SEE NOTES	FRACTIONAL: $\pm 1/64$ ANGULAR: X° $\pm 1'0''$ X°X' $\pm 15''$		
SURFACE AREA:	N/A	DECIMAL: X $\pm .030$.XX $\pm .010$.XXX $\pm .005$	DRAWN: SJ 08/19/24	SIZE DWG. NO. B 1132-6147
	PROPRIETARY	INTERPRET DIMENSIONS AND TOLERANCES PER ASME Y14.5M - 1994		
THE INFORMATION CONTAINED IN THIS DRAWING IS THE SOLE PROPERTY OF SV MICROWAVE, INC. ANY REPRODUCTION IN PART OR AS A WHOLE WITHOUT THE WRITTEN PERMISSION OF SV MICROWAVE, INC IS PROHIBITED.			THIRD ANGLE PROJECTION	APPROVED: SEE PDM
				SCALE: 6:1
				SHEET 1 OF 1

X-ON Electronics

Largest Supplier of Electrical and Electronic Components

Click to view similar products for [RF Adapters - Between Series category:](#)

Click to view products by [Amphenol manufacturer:](#)

Other Similar products are found below :

[5945-9503-000](#) [ADPL75-A1-PL75](#) [BJ158FL](#) [9317505](#) [ADBJ20-E2-BJ79](#) [ADBJ77-A1PL3155](#) [M55339/49-00349](#) [UAD95](#) [242235](#) [TM-FMEM-NDS-50](#) [AD-HQF-QCM-PM-2.5](#) [242291](#) [CT2771](#) [CT2762](#) [CT3387](#) [SMPP\(FD\)-HKP](#) [ADBJ377-A1-PL74](#) [ADT-2685-TM-SMM-02](#) [VA301](#) [ADT-2681-NM-SMF-02](#) [000-78875](#) [ADUBJ20-E1-PL375](#) [AD-UBJ20-E1-BJ89](#) [CT2940](#) [CT3389](#) [5300](#) [N9910X-602](#) [000-2900](#) [R191630007](#) [1057377-1](#) [1059825-1](#) [RF2-02-T-02-50-G](#) [RF2-03-T-00-50-G](#) [4295](#) [MCX/M-SMA/F](#) [1270](#) [BNC\(75\)J-H.FLJ-BPA-V\(40\)](#) [1296](#) [1297](#) [400PSM-CR](#) [1468](#) [53K164-S00N1](#) [SMA6251A1-3GT50G-50](#) [FME/M-SMA/F](#) [82-6532](#) [ETC1-1-10](#) [BD2130J5050A00](#) [BD2326L50200A00](#) [73386-0192](#) [73386-0103](#)