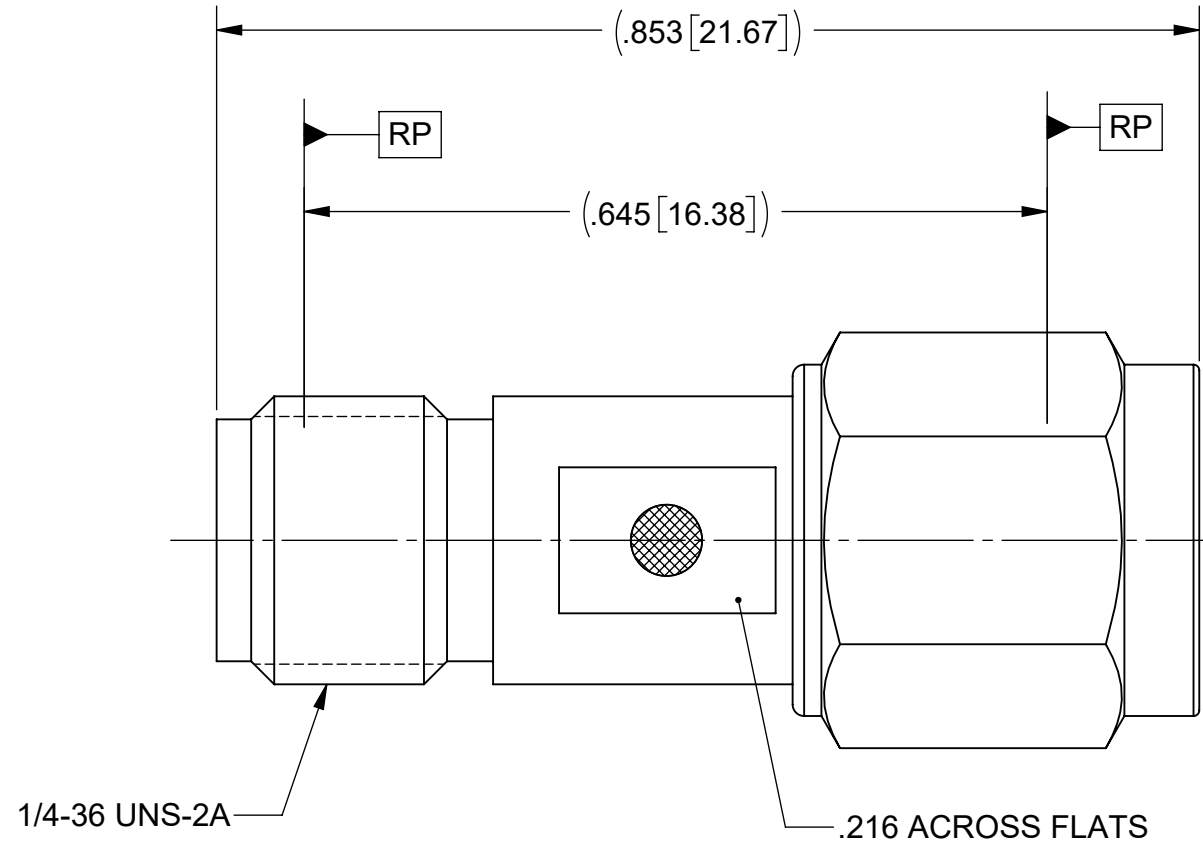
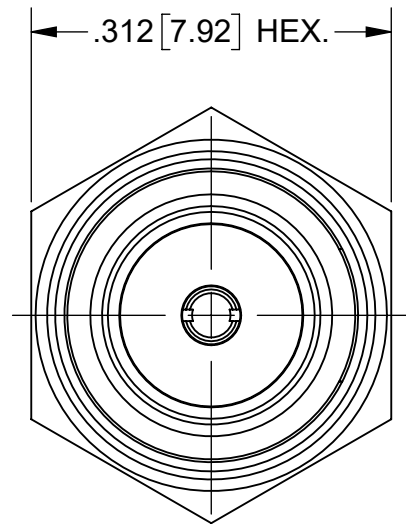
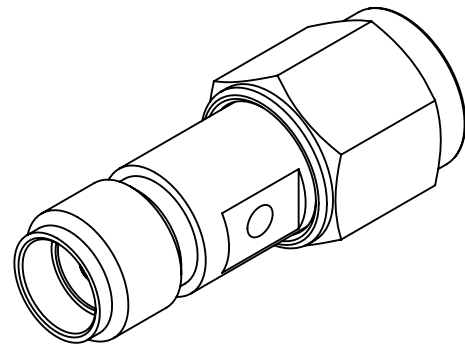


# PRODUCT DATA DRAWING

REVISION HISTORY			
REV	DESCRIPTION	DATE	APPROVED
-	DCN 55452	10/24	SEE PDM



**MATERIAL:**

**BODY & COUPLING NUT:** STAINLESS STEEL PER AMS-5640, ALLOY UNS S30300, TYPE 1

**LOCK RING & CONTACT:** BERYLLIUM COPPER PER ASTM B196, ALLOY No. UNS C17300, TD04

**INSULATOR:** PTFE PER ASTM D1710, TYPE I, GRADE 1, CLASS B

**GASKET:** SILICONE RUBBER PER A-A-59588, CLASS 2B, GRADE 50/60

**FINISH:**

**BODY & COUPLING NUT:** PASSIVATED PER AMS-2700

**CONTACT:** GOLD PER ASTM B488, TYPE II, CODE C, CLASS 1.27, OVER NICKEL PER AMS-QQ-N-290, CLASS 1, .00005" MIN

**PERFORMANCE:**

**IMPEDANCE:** 50 OHMS  
**FREQ. RANGE:** DC TO 18.0 GHz

<b>MATERIAL:</b> SEE NOTES	<b>DIMENSIONS ARE IN INCHES TOLERANCES:</b> FRACTIONAL: ±1/64 ANGULAR: X° ±1'0" X°X' ±15'	<b>UNLESS OTHERWISE SPECIFIED</b> 1) ALL DIMENSIONS ARE IN INCHES (MILLIMETERS) 2) ALL DIMENSIONS ARE AFTER PLATING. 3) BREAK CORNERS & EDGES .005 R. MAX. 4) CHAM. 1ST & LAST THREADS. 5) SURFACE ROUGHNESS 63-MIL-STD-10. 6) DIA. 'S ON COMMON CENTERS TO BE CONCENTRIC WITHIN .005 T.I.R. 7) REMOVE ALL BURRS	
<b>FINISH:</b> SEE NOTES	DECIMAL: X ±.030 .XX ±.010 .XXX ±.005		
<b>SURFACE AREA:</b> N/A	<b>INTERPRET DIMENSIONS AND TOLERANCES PER ASME Y14.5M - 1994</b>	<b>DRAWN:</b> KRR 10/10/24	<b>TITLE:</b> SMA FEMALE TO 2.4mm MALE STR. ADAPTER
<b>PROPRIETARY</b> THE INFORMATION CONTAINED IN THIS DRAWING IS THE SOLE PROPERTY OF SV MICROWAVE, INC. ANY REPRODUCTION IN PART OR AS A WHOLE WITHOUT THE WRITTEN PERMISSION OF SV MICROWAVE, INC IS PROHIBITED.	<b>THIRD ANGLE PROJECTION</b> 	<b>CHECKED:</b> SEE PDM	<b>SIZE DWG. NO. B 1129-6301</b>
		<b>APPROVED:</b> SEE PDM	<b>SCALE:</b> 6:1 <b>SHEET 1 OF 1</b>

## X-ON Electronics

Largest Supplier of Electrical and Electronic Components

*Click to view similar products for [RF Adapters - Between Series](#) category:*

*Click to view products by [Amphenol](#) manufacturer:*

Other Similar products are found below :

[5945-9503-000](#) [ADPL75-A1-PL75](#) [BJ158FL](#) [9317505](#) [ADBJ20-E2-BJ79](#) [ADBJ77-A1PL3155](#) [M55339/49-00349](#) [UAD95](#) [242235](#) [TM-FMEM-NDS-50](#) [AD-HQF-QCM-PM-2.5](#) [242291](#) [CT2771](#) [CT2762](#) [CT3387](#) [SMPP\(FD\)-HKP](#) [ADBJ377-A1-PL74](#) [ADT-2685-TM-SMM-02](#) [VA301](#) [ADT-2681-NM-SMF-02](#) [000-78875](#) [ADUBJ20-E1-PL375](#) [AD-UBJ20-E1-BJ89](#) [CT2940](#) [CT3389](#) [5300](#) [N9910X-602](#) [000-2900](#) [R191630007](#) [1057377-1](#) [1059825-1](#) [RF2-02-T-02-50-G](#) [RF2-03-T-00-50-G](#) [4295](#) [MCX/M-SMA/F](#) [1270](#) [BNC\(75\)J-H.FLJ-BPA-V\(40\)](#) [1296](#) [1297](#) [400PSM-CR](#) [1468](#) [53K164-S00N1](#) [SMA6251A1-3GT50G-50](#) [FME/M-SMA/F](#) [82-6532](#) [ETC1-1-10](#) [BD2130J5050A00](#) [BD2326L50200A00](#) [73386-0192](#) [73386-0103](#)