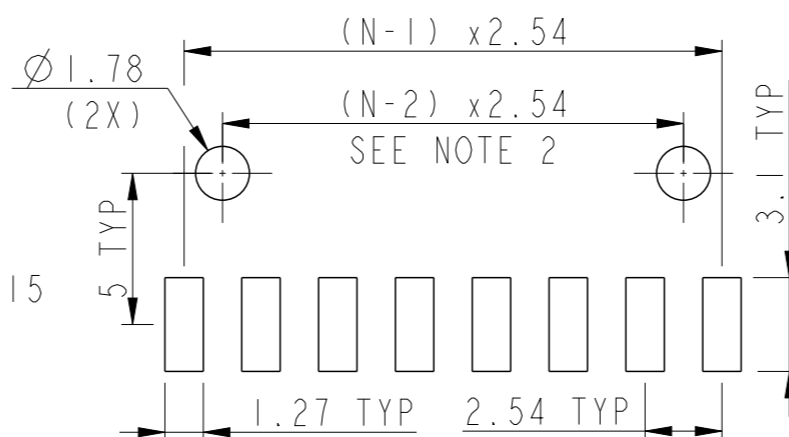


PRODUCT NUMBER
10119332-YXX-XXLF

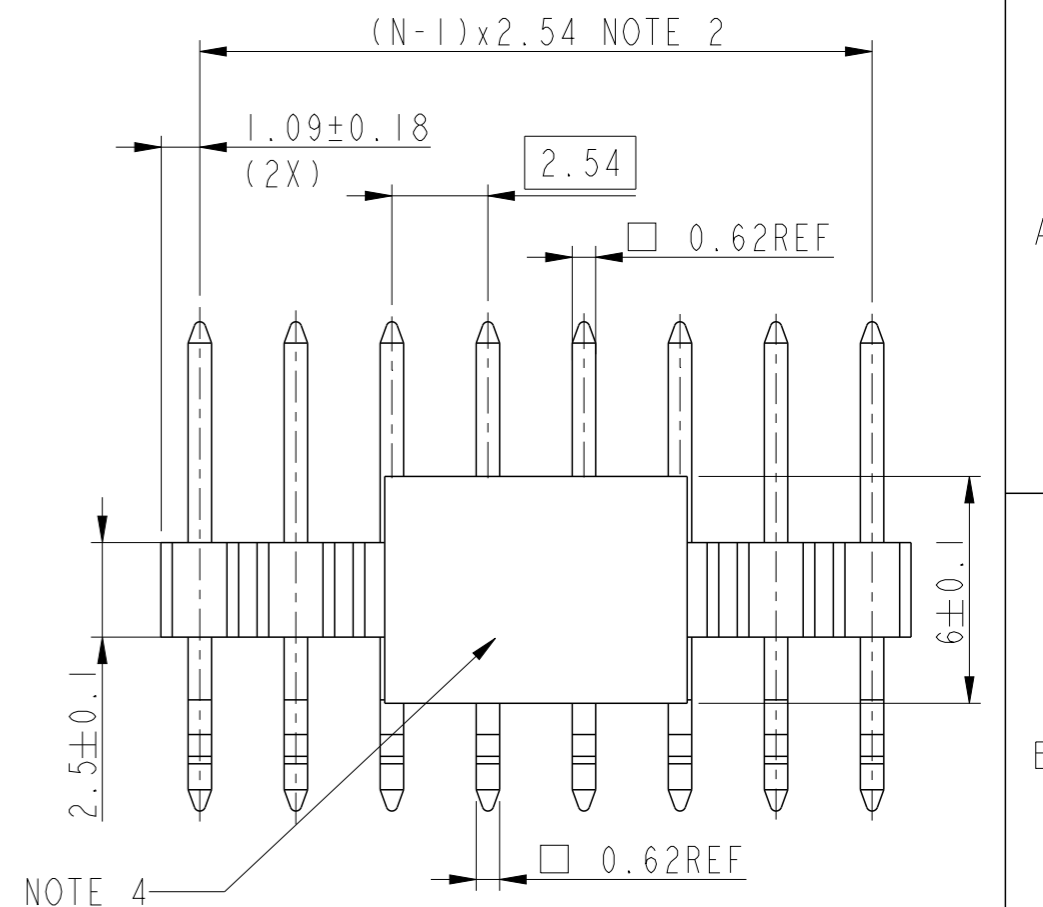
PLATING
1=0.76µm GXT/GOLD ON CONTACT
2µm TIN MIN ON TAILS
4=2µm TIN MIN FULL PLATED

RoHS COMPATIBLE
NOTE 4
TOTAL NUMBER OF
POSITIONS : 02 TO 15
AS AVAILABLE
PACKAGING, NOTE 3

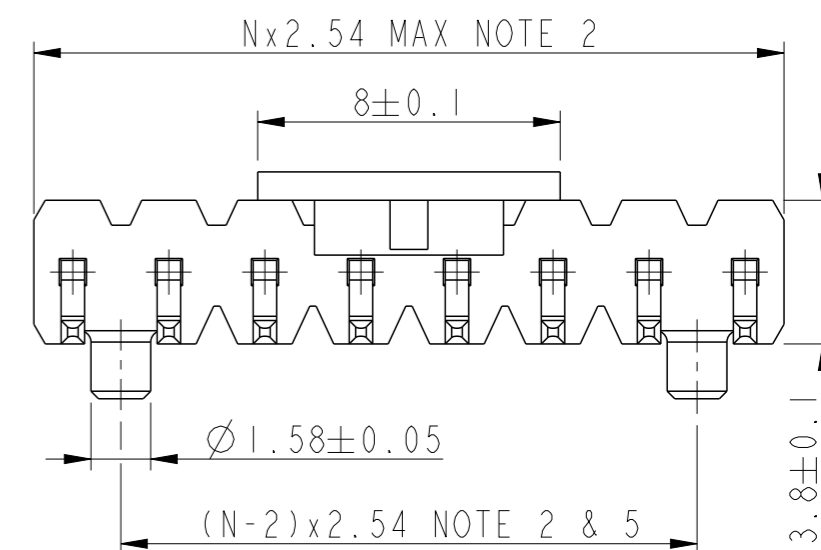
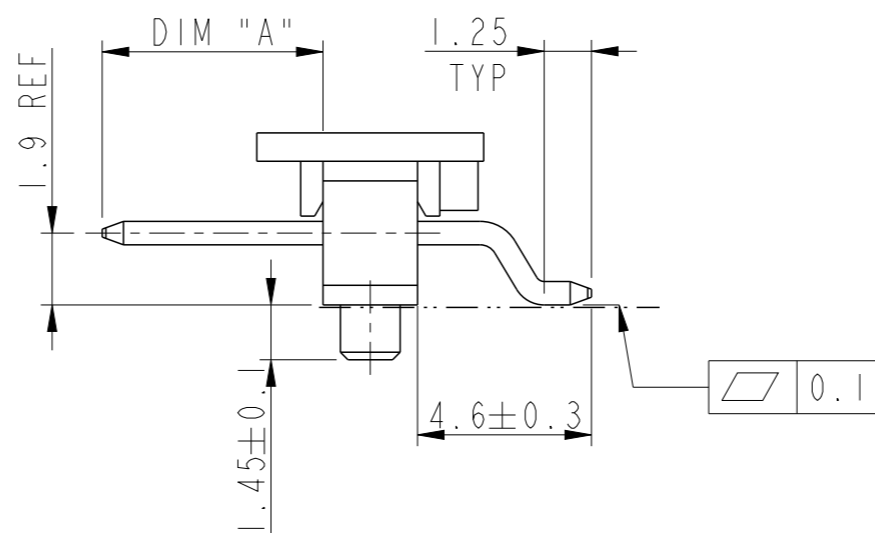
STYLE	DIM "A" ±0.2
01	5.84
02	8.08
03	10.67
04	3.00



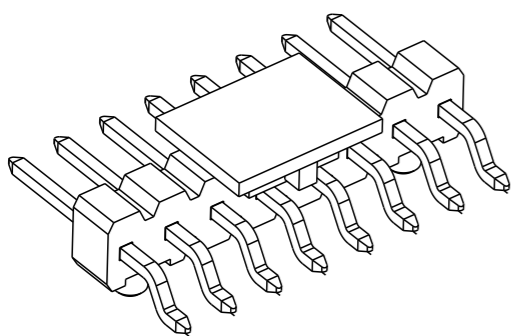
PCB LAYOUT



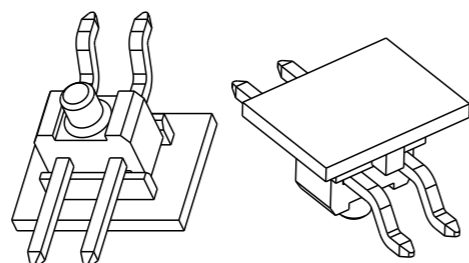
- NOTES:
- MATERIAL:
 - BODY: HIGH TEMPERATURE THERMOPLASTIC UL94V-0 COLOR BLACK
 - PIN : COPPER ALLOY23 - TO DETERMINATE DIMENSIONS :
 - N = NUMBER OF POSITIONS
EXAMPLE : 8 POS x 2.54=20.32
 - PACKAGING:
 - A = TAPE & REEL PACKAGING WITH PICK-UP CAP AS PER GS-14-2357
 - = POLYBAGS
 - KV = TAPE & REEL WITHOUT CAP FOR CUSTOMER DEDICATED PART PER SPAF0432
 - K = TAPE & REEL WITHOUT CAP PER SPAF0432
 - RoHS COMPATIBLE PRODUCT SPECIFICATIONS :
 - PLATING :
"LF" MEANS THE PRODUCT IS LEAD FREE 2µm MIN MATTE TIN OVER 1.27µm MIN NICKEL UNDERPLATED
 - MANUFACTURING PROCESS COMPATIBILITY :
THE HOUSING WILL WITHSTAND EXPOSURE TO 260°C PEAK TEMPERATURE FOR 30 SECONDS MAX IN CONVECTION, INFRA-RED OR VAPOR PHASE OR REFLOW OVEN
 - LABELLING :
MEETS PACKAGING SPECS AS PER GS-14-920
 - LEGAL STATEMENT : SEE GS-47-0004
 - FOR 2 POSITIONS ONLY ONE CENTRAL PEG
 - PRODUCT SPECIFICATION AS PER BUS-12-114 EXCEPT PIN RETENTION FORCE 5N MIN.



VIEW OF 2 POS
NOTE 5



SCALE 3:1



SCALE 3:1

spec ref	dr	Aymeric Soudy	2014/02/21	projection	MM	size	A3	scale	5:1
tolerance std	eng	J M Compagnon	2015/07/03			ecn no	ELX-B-21308-1	rel level	Released
ISO 406 ISO 1101	chr	Laurent Mulin	2015/07/03						
surface	appr	Aymeric Soudy	2015/07/03			dwg no	10119332	rev	E
ISO 1302	TOLERANCES UNLESS OTHERWISE SPECIFIED linear 0.X ±0.3 0.XX ±0.13 0.XXX ±0.050 angular 0° ±2°		www.fci.com	title 2.54mm UNSH HEADER HORIZ SINGLE ROW SMT WITH PEG		cat. no.	-	Product - Customer Drw	sheet 1 of 1



Copyright FCI.

X-ON Electronics

Largest Supplier of Electrical and Electronic Components

Click to view similar products for [Headers & Wire Housings](#) category:

Click to view products by [Amphenol](#) manufacturer:

Other Similar products are found below :

[95000-104TRLF](#) [10135584-644402LF](#) [DF62W-EP2022PCA](#) [95000-106TRLF](#) [DF62W-2022SCA](#) [DF62W-EP2022PC](#) [2203348](#) [DF62W-2022SC](#) [1084018](#) [1029039](#) [1084017](#) [802-10-012-10-002000](#) [1112640](#) [1112639](#) [891-007-9SS-BST1T](#) [000-34000](#) [0008550134](#) [0009482033](#) [0009507031](#) [57102-F02-18ULF](#) [57102-S06-03LF](#) [57202-S52-04LF](#) [PCN6-15S-2.5E](#) [0039019024](#) [58102-G61-06LF](#) [582553-1](#) [0009485154](#) [0009508121](#) [0022285053](#) [0050291907](#) [018731A](#) [LY20-4P-DT1-P1E-BR](#) [02.125.8002.8](#) [60101931](#) [60598-1 \(Cut Strip\)](#) [M1625-3R/100](#) [61062-3](#) [61082-181009](#) [CSU011177004](#) [636-1427](#) [638009-1](#) [641938-9](#) [641991-4](#) [644168-1](#) [644827-2](#) [647662-1](#) [65039-019ELF](#) [65692-001LF](#) [65781-018](#) [65781-047](#)