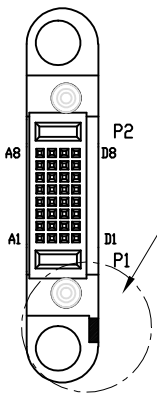
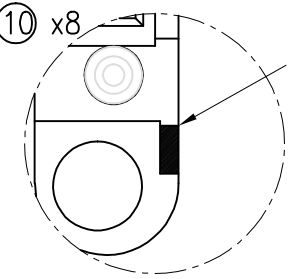
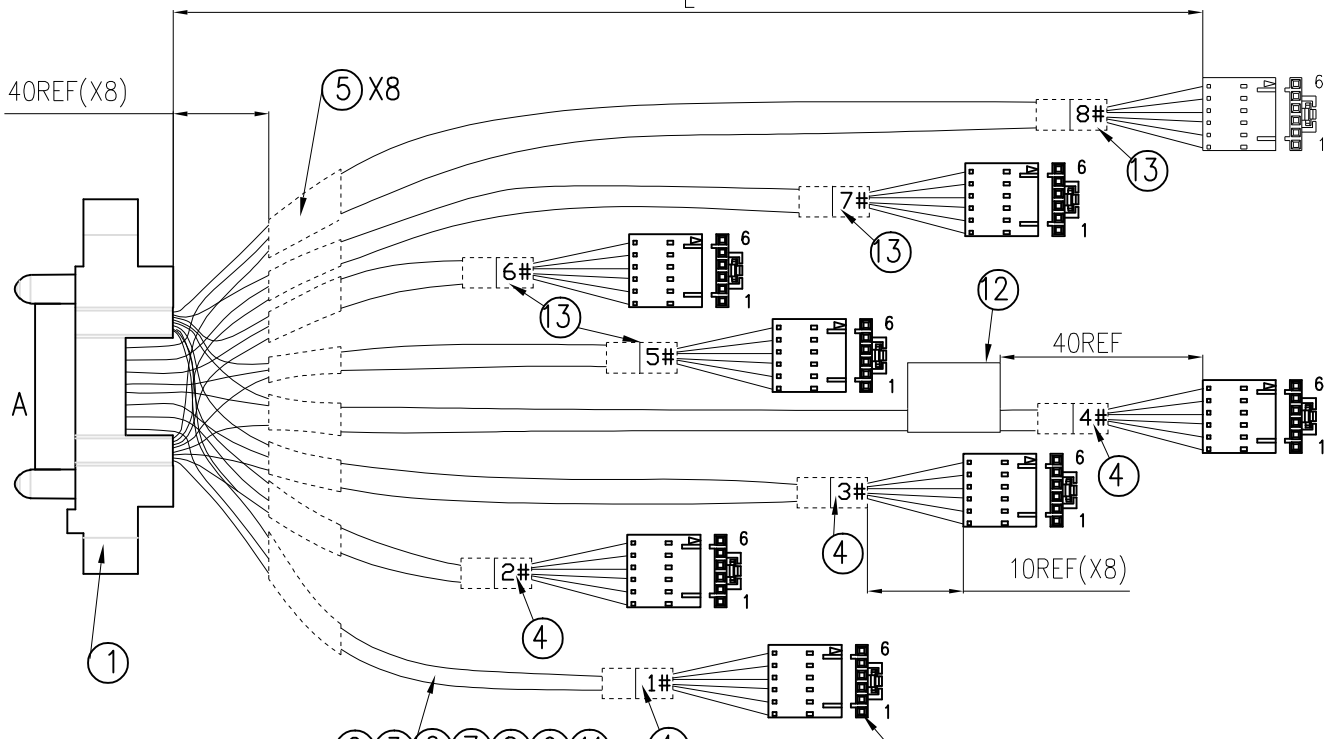


FCI P/N
10080594-6KB0467LF



CONN 1



Key Marking White color

4	PC	LABEL WHITE	13
1	PC	ID LABEL	12
NA	M	EXPANDABLE SLEEVE,6.0mm,BLACK	11
48	PC	TEM,MOLEX:42817-0112,MALE,2.540μm Tin+0.762μm Au	10
8	PC	HSG 6P,2.54P,MOLEX:50-5794-06,PA,BL,UL94V-0	9
NA	M	UL1061 22AWG YELLOW	8
NA	M	UL1007 26AWG RED	7
NA	M	UL1007 26AWG BLUE	6
NA	M	UL1007 26AWG WHITE	5
NA	M	ACETATE CLOTH,WIDTH: 20mm,BLACK	4
4	PC	LABEL YELLOW	3
NA	M	UL1007 26AWG GREEN	2
NA	M	UL1061 22AWG BLACK	1
32	PC	SIGNAL TERM,FEMALE,30u" Au OVER 50u" Ni	1
2	PC	POWER TERM,FEMALE,3u" Au+27u" PdNi OVER 50u" Ni	1
1	PC	HSG 1P32S1P, 2.54P, THERMO PLASTIC, UL94 V-0,BL	1
Qty	Unit	Description	Item

②③⑥⑦⑧⑨⑪ X8

⑩ x8

⚠

spec ref	-
tolerance std	TOLERANCES UNLESS OTHERWISE SPECIFIED
surface	✓
linear	0.X ±0.1 0.XX ±0.25 0.XXX ±0.5
angular	0° ±0.5

dr	William He	2014-11-21	projection	mm	size	A3	scale	N/A	
eng	William He	2014-11-21	⊕	mm	ecn no	ECN-ELX-N-19521	rel level	-	
chr	Guo-Feng Jin	2014-11-21							
appr	Guo-Feng Jin	2014-11-21	product family						
www.fci.com		cat. no.	-	Customer Drawing		sheet 1 of 3			
title		PowerBlade 1P32S1P Cable Assembly		dwg no		10080594-6KB0467LF		rev	E



1

2

3

4

A

A

B

B

C

C

D

D

CONN1	WIRE DESCRIPTION	6P HOUSING	LABEL	LENGTH(L)
P1	UL1061 22awg YELLOW	6	1#	140±10
A1	UL1007 26AWG GREEN	2		
B1	UL1007 26AWG RED	3		
C1	UL1007 26AWG WHITE	4		
D1	UL1007 26AWG BLUE	5		
P2	UL1061 22awg BLACK	1	2#	90±6
P1	UL1061 22awg YELLOW	6		
A2	UL1007 26AWG GREEN	2		
B2	UL1007 26AWG RED	3		
C2	UL1007 26AWG WHITE	4		
D2	UL1007 26AWG BLUE	5		
P2	UL1061 22awg BLACK	1	3#	170±10
P1	UL1061 22awg YELLOW	6		
A3	UL1007 26AWG GREEN	2		
B3	UL1007 26AWG RED	3		
C3	UL1007 26AWG WHITE	4		
D3	UL1007 26AWG BLUE	5		
P2	UL1061 22awg BLACK	1	4#	270±10
P1	UL1061 22awg YELLOW	6		
A4	UL1007 26AWG GREEN	2		
B4	UL1007 26AWG RED	3		
C4	UL1007 26AWG WHITE	4		
D4	UL1007 26AWG BLUE	5		
P2	UL1061 22awg BLACK	1		

CONN1	WIRE DESCRIPTION	6P HOUSING	LABEL	LENGTH(L)
P1	UL1061 22awg YELLOW	6	5#	140±10
A5	UL1007 26AWG GREEN	2		
B5	UL1007 26AWG RED	3		
C5	UL1007 26AWG WHITE	4		
D5	UL1007 26AWG BLUE	5		
P2	UL1061 22awg BLACK	1	6#	90±6
P1	UL1061 22awg YELLOW	6		
A6	UL1007 26AWG GREEN	2		
B6	UL1007 26AWG RED	3		
C6	UL1007 26AWG WHITE	4		
D6	UL1007 26AWG BLUE	5		
P2	UL1061 22awg BLACK	1	7#	170±10
P1	UL1061 22awg YELLOW	6		
A7	UL1007 26AWG GREEN	2		
B7	UL1007 26AWG RED	3		
C7	UL1007 26AWG WHITE	4		
D7	UL1007 26AWG BLUE	5		
P2	UL1061 22awg BLACK	1	8#	270±10
P1	UL1061 22awg YELLOW	6		
A8	UL1007 26AWG GREEN	2		
B8	UL1007 26AWG RED	3		
C8	UL1007 26AWG WHITE	4		
D8	UL1007 26AWG BLUE	5		
P2	UL1061 22awg BLACK	1		



Copyright FCI

spec ref	-			dr	William He	2014-11-21	projection		size	A3	scale	N/A			
tolerance std	TOLERANCES UNLESS OTHERWISE SPECIFIED			eng	William He	2014-11-21		mm	ecn no		ECN-ELX-N-19521				
-				chr	Guo-Feng Jin	2014-11-21			rel level		-				
surface	✓	linear	0.X	±-		title	PowerBlade 1P32S1P Cable Assembly	drg no	10080594-6KB0467LF	rev	E				
-			0.XX	±0.25							www.fci.com	cat. no.	-	Customer Drawing	sheet 2 of 3
		angular	0°	±-											

Proj. file - B21 C - 2014-08-08

1

2

3

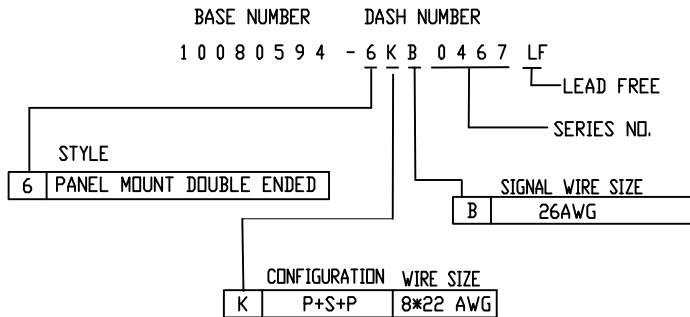
4

NOTES:

① CONN 1 MATES WITH HEADER 51700-10103201AALF.

② UNLESS OTHERWISE SPECIFIED ASSEMBLED LENGTH TOLERANCE =
 < 1 METER: ±15.0mm
 > 1 METER TO 10 METER: ±2% OF L1
 > 10 METER: +0.00% / -4% OF L1

3. PART NUMBER DESCRIPTION:



⑧ CONNECTOR ASSEMBLIES SHOWN ARE FOR REFERENCE ONLY AND MAY NOT SHOW ALL PART DETAIL. REFERENCE CONNECTOR HOUSING DRAWINGS FOR COMPLETE DETAILS.

9. GLOBAL STANDARDS FOR CABLE PACKAGING: GS-14-1093.

⑩ THIS DIMENSION IS A FINISHED PRODUCT LENGTH.

11. CABLE: UL APPROVED, TEMPERATURE RATING 80°C. 300V .
 HOUSING: HIGH TEMP. THERMOPLASTIC, UL94V-0 GLASS FILLED,
 POWER CONTACTS: COPPER ALLOY

12. CONTACT PLATING SPEC:
 POWER CONTACT: 3u" Au + 27u" PdNi OVER 50u" Ni
 SIGNAL CONTACT: 30u" Au OVER 50u" Ni
 MOLEX CONTACT: 0.000150 MINIMUM TIN PLATE IN SELECT AREA,
 OVER NICKEL PLATE OVERALL

13. ID LABEL DESCRIPTION AS BELOW

HP P/N:795348-001
 HH P/N:4N9D7-01 1
 REV.: C YYWW



READING:795348-001
 CODE:39

④ ALL CABLE ASSEMBLIES SHALL BE TESTED 100% FOR CONTINUITY AS DEFINED IN WIRING LIST.

5. UNLESS OTHERWISE SPECIFIED ALL CABLE ASSEMBLIES SHALL BE 100% HI-POT TESTED BY APPLYING 300V DC FOR MINIMUM OF 10ms, UNLESS ACTIVE COMPONENTS ARE USED IN THIS ASSEMBLY.

6. ALL CUSTOMER DRAWINGS ARE SUPPLIED WITH METRIC DIMENSIONS.

⑦ LEAD FREE PRODUCTS MEET EUROPEAN UNION DIRECTIVES AND OTHER COUNTRY REGULATIONS AS DESCRIBED IN GS-22-008.

PACKAGING OF LEAD FREE PRODUCTS MEETS LABELING AND PACKAGING SPECIFICATION GS-14-920.



Copyright FCI

spec ref	-			dr	William He	2014-11-21	projection		size	A3	scale	N/A
tolerance std	TOLERANCES UNLESS OTHERWISE SPECIFIED			eng	William He	2014-11-21		mm	ecn no	ECN-ELX-N-19521		
-				chr	Guo-Feng Jin	2014-11-21			rel level	-		
surface		linear	0.X	±-		title PowerBlade 1P32S1P Cable Assembly	www.fci.com	cat. no. -	Customer Drawing	sheet 3 of 3	rev E	dng no 10080594-6KB0467LF
-			0.XX	±0.25								
		angular	0°	±-								

X-ON Electronics

Largest Supplier of Electrical and Electronic Components

Click to view similar products for [DC Power Cords](#) category:

Click to view products by [Amphenol](#) manufacturer:

Other Similar products are found below :

[172-4000](#) [172-4101](#) [172-7443-E](#) [21033836407](#) [2J-1865A](#) [2R7006A20A120](#) [426055400-3](#) [MN47A4BC01M010](#) [H-OU-2](#) [CA0002](#)
[420680840-3](#) [426451500-3](#) [P162PT4-36](#) [1-832692-4](#) [FJ-VSP 3M](#) [96CB-POWER-B-1.8M2](#) [426040200](#) [CA0006](#) [H-OU-27](#) [1700019464](#) [FJ-](#)
[VSP 10M](#) [MN47B4BC01M040](#) [H-OU-20](#) [2-836917-8](#) [867566-1](#) [804001P03M050G](#) [2050KH1-BK](#) [426013710-3](#) [58257-1069](#) [216603-0037](#)
[1011147](#) [1011324](#) [1012028](#) [862545-5](#) [BXC-10567](#) [172-2555](#) [32102-022800-200-RS](#) [DC.CAB.0201.0150](#) [DC.CAB.0301.0150](#)
[DC.CAB.0610.0150](#) [DC.CAB.0700.0150](#) [DC.CAB.1000.0150](#) [DC.CAB.1000.0300](#) [DC.CAB.1100.0150](#) [DC.CAB.1400.0150](#)
[DC.CAB.1410.0150](#) [DC.CAB.1500.0150](#) [DC.CAB.1811.0150](#) [DC.CAB.1900.0150](#) [DC.CAB.1911.0150](#)