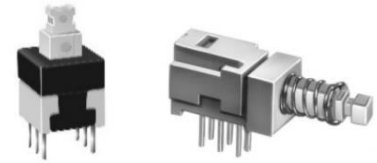


## Application

- ✓ TV/Video, Audio, Home appliance, Precision apparatus, Automotive, Office equipment, Communication, Musical instruments, Industrial control, Others



## Feature

- ✓ Small size push button switches with good feeling.

## ■Specification

Operating Temperature Range	-10 °C~70°C
Standard Contact Resistance	< 50 mΩ
Operating Life Cycle	10,000 cycles

## ■How to order

SP70018F - 0202 - 13F1 - N N - N

### Model

SP – Push Switch

### Number of Pole and Position

Ex. 0102 – 1 pole 2 positions  
0402 – 4 poles 2 positions

### Actuator

### Timing

Order Code	Description
N	Non-Shorting (break-before-make)
S	Shorting (make-before-break)

### Mechanical Configuration


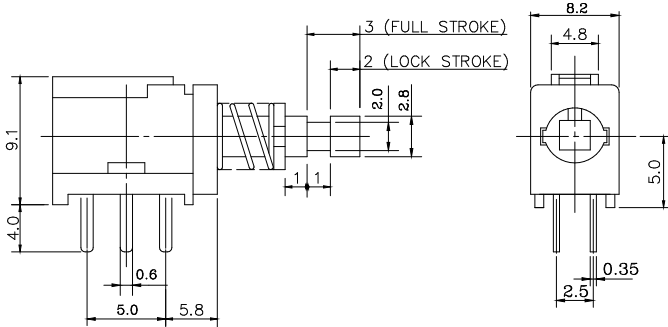
Order Code	Description
N	Non-lock
Blank	Lock

### Plating of Casing

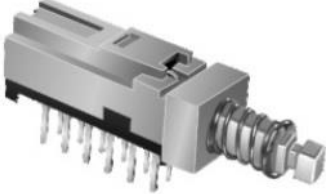
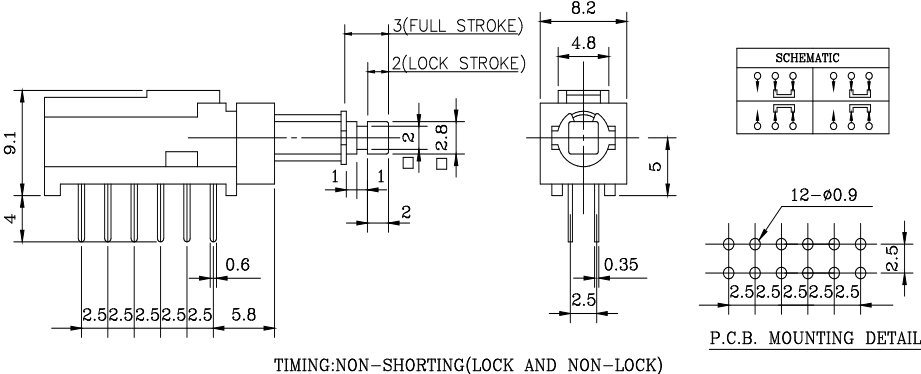

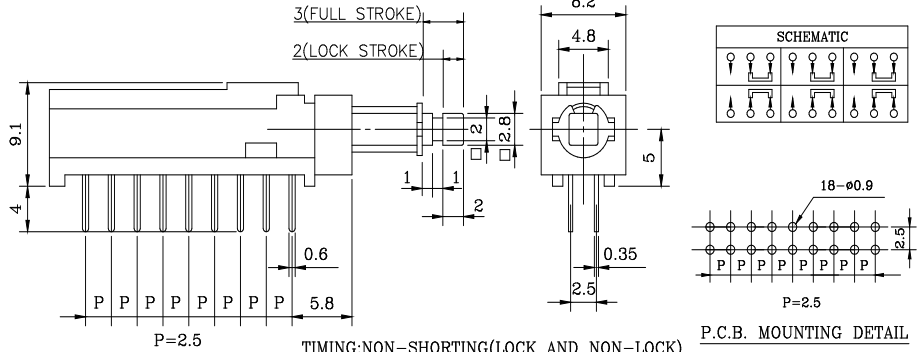
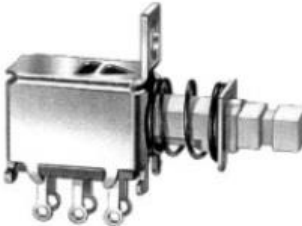
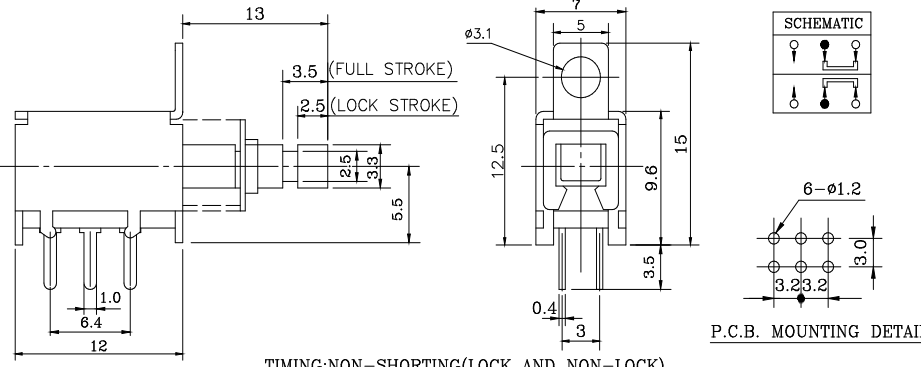

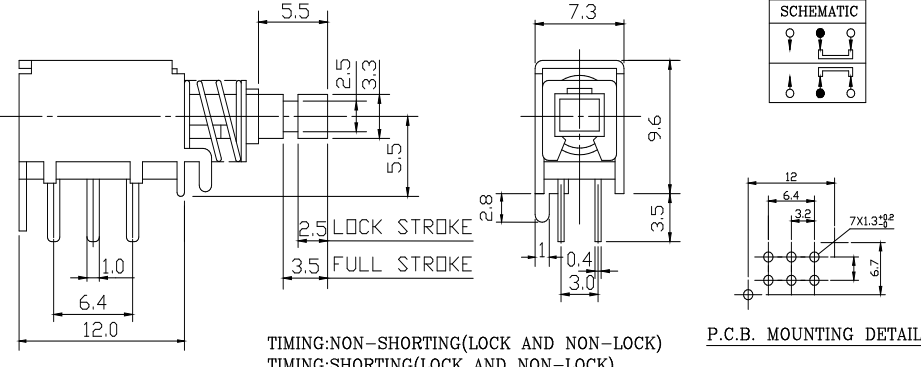
Order Code	Description
N	Nickel plated
Blank	Plastic case

## Model Description

Model	Pole / Position	Operation Force	Rating	Timing	Mechanical Configuration
<a href="#">SP70300F-0202</a>	2 poles, 2 positions	300±150gf.cm	DC30V, 0.1A	Non-Shorting	Lock /Non-lock
<a href="#">SP70300F-0402</a>	4 poles, 2 positions	300±150gf.cm	DC30V, 0.1A	Non-Shorting	Lock /Non-lock
<a href="#">SP70300F-0602</a>	6 poles, 2 positions	300±150gf.cm	DC30V, 0.1A	Non-Shorting	Lock /Non-lock
<a href="#">SP70018F-0202</a>	2 poles, 2 positions	300±150gf.cm	AC125V, 0.3A	Non-Shorting	Lock /Non-lock
<a href="#">SP70030F-0202</a>	2 poles, 2 positions	300±150gf.cm	AC125V, 0.3A	Non-Shorting / Shorting	Lock /Non-lock
<a href="#">SP80010F-0202</a>	2 poles, 2 positions	150±80gf.cm	DC30V, 0.1A	Non-Shorting	Lock /Non-lock
<a href="#">SP80050F-0202</a>	2 poles, 2 positions	200±80gf.cm	DC30V, 0.3A	Non-Shorting	Lock /Non-lock
<a href="#">SP8005BF-0202</a>	2 poles, 2 positions	200±80gf.cm	DC30V, 0.3A	Non-Shorting	Lock /Non-lock

Order Code	Outline Drawing
SP70300F-0202-11F1-N SP70300F-0202-11F1-N-N 	 <p>TIMING:NON-SHORTING(LOCK AND NON-LOCK)</p> <p>P.C.B. MOUNTING DETAIL</p>


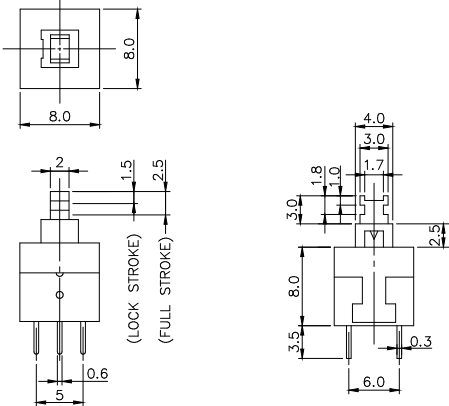
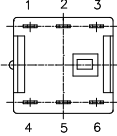
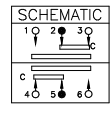

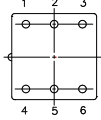
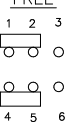
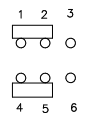
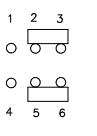

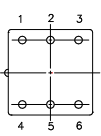
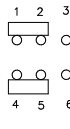
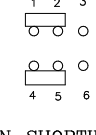
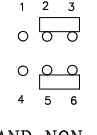
[Back to top](#)

Order Code	Outline Drawing
<p>SP70300F-0402-11F1-N SP70300F-0402-11F1-N-N</p> 	 <p>TIMING:NON-SHORTING(LOCK AND NON-LOCK)</p>
<p>SP70300F-0602-11F1-N SP70300F-0602-11F1-N-N</p> 	 <p>TIMING:NON-SHORTING(LOCK AND NON-LOCK)</p>
<p>SP70018F-0202-13F1-NN SP70018F-0202-13F1-NN-N</p> 	 <p>TIMING:NON-SHORTING(LOCK AND NON-LOCK)</p>
<p>SP70030F-0202-13F1-NN(-N) SP70030F-0202-13F1-SN(-N)</p> 	 <p>TIMING:NON-SHORTING(LOCK AND NON-LOCK) TIMING:SHORTING(LOCK AND NON-LOCK)</p>

[Back to top](#)

# PUSH SWITCH



Order Code	Outline Drawing
<p>SP80010F-0202-10F5-N SP80010F-0202-10F-N-N</p> 	 <p>PUSH 2-3 ON 4-5 ON</p>  <p>FREE 1-3 ON 4-6 ON</p>  <p>TIMING:NON-SHORTING(LOCK AND NON-LOCK)</p>
<p>SP80050F-0202-5.5F1-N SP80050F-0202-5.5F-N-N</p> 	 <p>SCHMATIC</p>  <p>FREE</p>  <p>PUSH</p>  <p>TIMING:NON-SHORTING(LOCK AND NON-LOCK)</p>
<p>SP8005BF-0202-14F-N SP8005BF-0202-14F-N-N</p> 	 <p>SCHMATIC</p>  <p>FREE</p>  <p>PUSH</p>  <p>TIMING:NON-SHORTING(LOCK AND NON-LOCK)</p>

Design and specifications presented here are for the standard parts only. Please kindly contact us for your special requests and ask for the current technical specifications before purchase and/or use.

[Back to top](#)

## X-ON Electronics

Largest Supplier of Electrical and Electronic Components

*Click to view similar products for [Pushbutton Switches](#) category:*

*Click to view products by [Alpha Taiwan](#) manufacturer:*

Other Similar products are found below :

[8940K2012](#) [LW1L-M1C10V-A](#) [LW1L-M1C70-A](#) [LW2L-A1C20M-GD](#) [LW2L-M1C20M-A](#) [60324L](#) [M22-D-R-GB0/K11](#) [M7E-HRN2](#)  
[67021K512](#) [67081K512X](#) [701PB580](#) [7190K101](#) [7199K101](#) [810K12910](#) [810KSV30B](#) [MML21EA2ADK](#) [MML21KA3ABK](#)  
[MML23KA3AC05K-001](#) [MML23KW3AA01W](#) [8418K2](#) [8442K3](#) [8450K1](#) [860K11911T01A](#) [861901](#) [861K11911T01A07](#)  
[861K13810T00A14](#) [861K13911](#) [8646AB6X718UL](#) [8646ABUL](#) [9001KXRK](#) [907AYY100](#) [PMHD155A1](#) [95-313.000](#)  
[9533CD4+U574+U4922](#) [95-414.000](#) [99-450.837](#) [99-453.837](#) [PV3H2B0NN-341](#) [1203MRA](#) [A22NZBGANGA](#) [A22NZBMMNGA](#)  
[A22NZBNANGA](#) [A22NZMPATRA](#) [A2PMA1X03EC56](#) [A3A-5123-02](#) [A3A-7140](#) [A3A-7310](#) [A3A-7340](#) [A3U-TMW-A2C-5M](#) [A595](#)