

AMED480-GY



DIN Rail

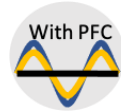
The AMED480-GY is a high efficiency DIN rail AC/DC converter that features a cost-effective power supply design. Offering a commercial input voltage range of 90-264VAC and an output voltage range from 24-48V, this series will offer many benefits to your new system design. Measuring 85.50 x 125.20 x 128.50mm, ambient air-cooling vents both at the top and bottom of the converter improve its thermal performance. It is also easy to install and remove for maintenance, while efficiently organizing all your electrical cables.

This series offers great operating temperatures, from -25°C to 70°C and features an isolation of 3000VAC for improved reliability and system safety. Furthermore, a high MTBF of 969,800h, output over-load protection, output short circuit protection, over temperature protection (OTP), and output over-voltage protection (OVP) come standard with the series. A built in DC OK relay contact is also included.

The AMED480-GY is suitable for electric distribution boxes, grid power, instrumentation, CNC machines, industrial control panels and building automation applications.

Features

- Ultra-wide Input: 90 - 264VAC/127 - 370VDC
- Operating Temp: -25 °C to +70 °C
- High isolation voltage: 3000VAC
- Low ripple & noise, 120mV(p-p), max.
- Short circuit protection, over-voltage protection, over temperature protection, and overload protection.



Training



Product Training Video
(click to open)

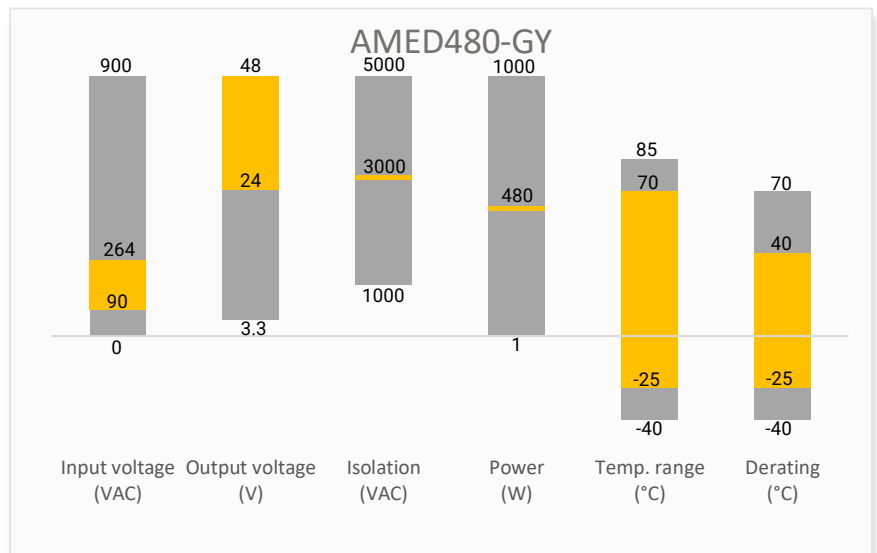


Press Release

Coming Soon!

Application Notes

Summary



Applications



Power Grid



Industrial



Telecom

Models & Specifications



Model	Input Voltage (VAC/Hz)	Input Voltage (VDC)	Max Output wattage (W)	Output Voltage (V)	Output Current max (A)	Efficiency Typ. (%)
AMED480-24SGY	90~264/47~63	127~370	480	24	20	94
AMED480-48SGY	90~264/47~63	127~370	480	48	10	94

Input Specifications

Parameters	Conditions	Typical	Maximum	Units
Input Current	115VAC		5.0	A
	230VAC		2.5	A
Inrush Current	115VAC, cold start	40		A
	230VAC, cold start	80		
Leakage Current	240VAC		< 0.6	mA
Power factor	115VAC, at full load	0.99		
	230VAC, at full load	0.94		

Output Specifications

Parameters	Conditions	Typical	Maximum	Units
Voltage accuracy	0 - 100% load	± 2		%
Line regulation	Rated load	± 0.5		%
Load regulation	0 - 100% load	± 1		%
Ripple & Noise*	24 VDC Output		100	mV p-p
	48 VDC Output		120	mV p-p
Start-up time	230VAC input, full load		1.5	s
	115VAC input, full load		3.0	s
Rise time	230VAC input, full load		150	ms
	115VAC input, full load		150	ms
Hold up time	230VAC, full load	14		ms
Voltage adjustable range	24 VDC Output	24 - 28		V
	48 VDC Output	48 - 55		V

* Ripple and Noise are measured at 20MHz bandwidth. Please refer to the application form for specific details. Measured with a 47µF electrolytic capacitor and a 0.1µF ceramic capacitor.

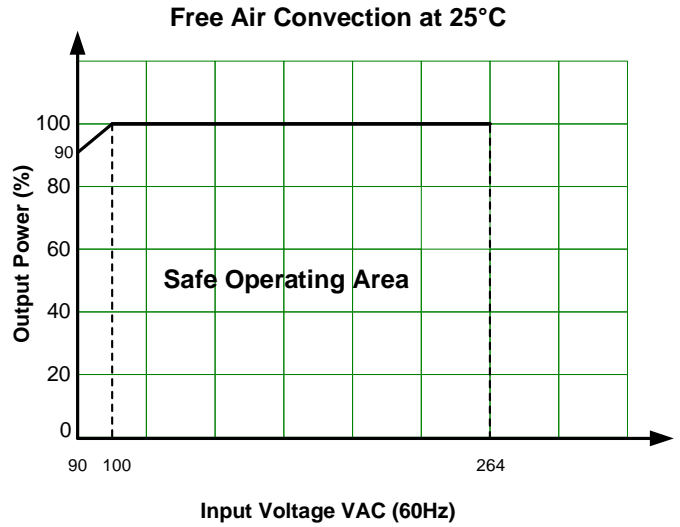
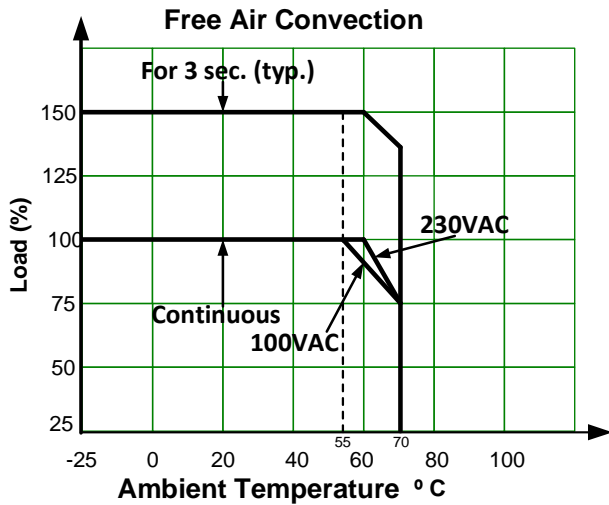
Isolation Specifications

Parameters	Conditions	Typical	Maximum	Units
Tested I/O voltage	60 sec, Leakage current < 10mA	3000		VAC
Tested Input to GND voltage	60 sec, Leakage current < 10mA	2000		VAC
Tested Output to GND voltage	60 sec, Leakage current < 10mA	500		VAC
Insulation resistance	I to O, I/O to PE, 500VDC, 25°C, 70%RH	>100		MΩ

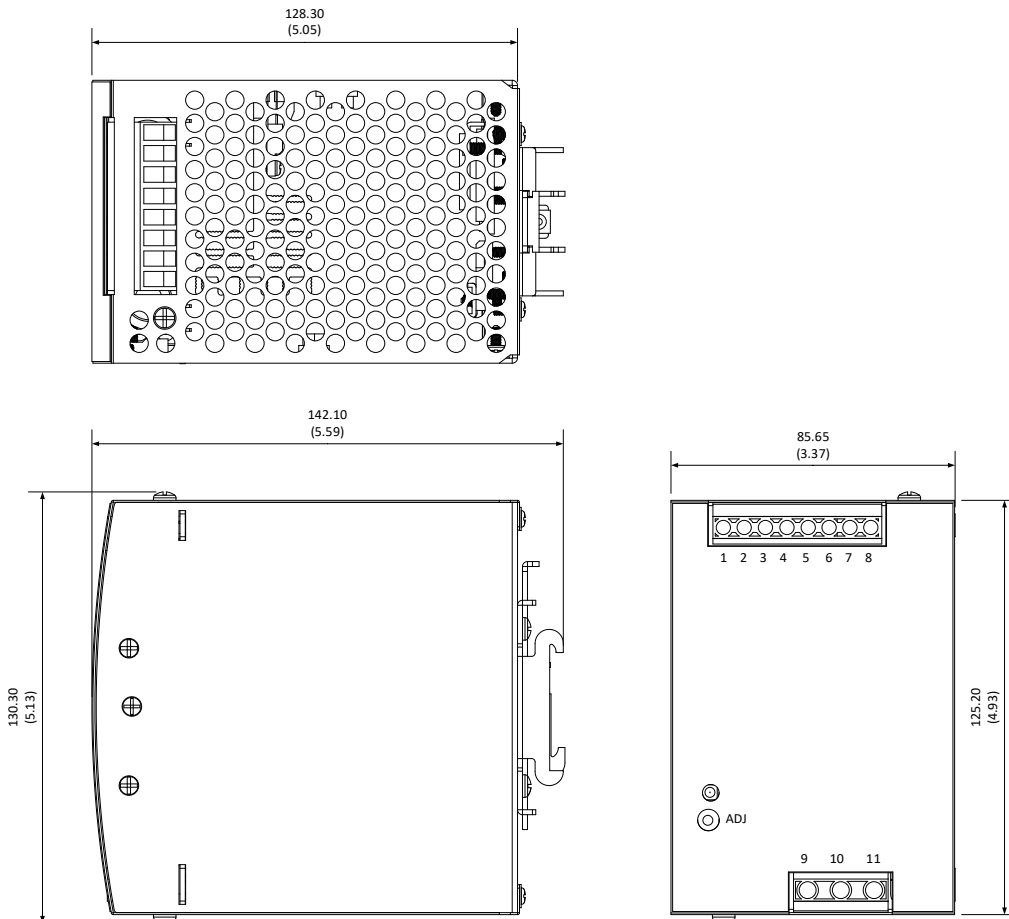
General Specifications				
Parameters	Conditions	Typical	Maximum	Units
Over voltage protection	24 VDC Output, manual-recovery	≤ 33		VDC
	48 VDC Output, manual-recovery	≤ 65		VDC
Over temperature protection	Detected on heatsink power switch, auto-recovery	105 ± 5		°C
Overload protection	Works normally within 110 ~ 150% rated output power for more than 5 seconds, output voltage turns off, auto-recovery >150% rated output power, constant current limiting, auto-recovery within 5 seconds, shut down if over 3 seconds			
Short circuit protection	Hiccup, Continuous, auto-recovery			
Operating temperature	20 ~ 95% RH non-condensing	-25 to +70		°C
Storage temperature	10 ~ 95% RH	-40 to +85		°C
Power derating	230VAC, +60 °C to 70°C, For 3 sec.	3.0		% / °C
	100VAC, +55°C to 70°C, Continuous	1.33		% / °C
	230VAC, +60 °C to 70°C, Continuous	2.0		% / °C
	Input voltage derating, 90VAC - 100VAC	1.0		% / °C
Temperature coefficient	0 ~ 50 °C	± 0.03		% / °C
Cooling	Free air convection			
Case material	Metal			
Weight		1600		g
Dimensions (L x W x H)	3.37 x 4.92 x 5.08 inches (85.50 x 125.00 x 129.00 mm)			
MTBF	969.8K hrs min. Telcordia SR-332 (Bellcore); 118.6K hrs min. (MIL-HDBK -217F, t=+25°C)			
NOTE: All specifications in this datasheet are measured at an ambient temperature of 25°C, humidity<75%, nominal input voltage and at rated output load unless otherwise specified.				

Safety Specifications		
Parameters		
Agency approval	UL61010-1, UL61010-2-201, BS EN/EN61010-1	
Standards	EMC - Conducted and radiated emission	CISPR32 / EN55032, Class B
	Harmonic Current emission	IEC/EN 61000-3-2, Class A
	Voltage Fluctuations & Flicker	IEC/EN 61000-3-3
	Electrostatic Discharge Immunity	IEC/EN 61000-4-2 Contact ±4KV, Air ±8KV, Criteria B
	RF, Electromagnetic Field Immunity	IEC/EN 61000-4-3 3V/m, Criteria A
	Electrical Fast Transient/Burst Immunity	IEC/EN 61000-4-4 ±1KV, Criteria B
	Surge Immunity	IEC/EN 61000-4-5 L-L ±1KV, L-G ±2KV, Criteria B
	CS, Conducted Disturbance Immunity	IEC/EN 61000-4-6 3V, 3V~1V, 1V r.m.s, Criteria A
	Power Frequency Magnetic Field Immunity	IEC/EN 61000-4-8 50, 60Hz, Criteria A
	Voltage dips, Short Interruptions Immunity	IEC/EN 61000-4-11 100% Voltage Dips/Interruptions, 3 cycles, Criteria B
EMC Immunity	BS EN/EN55024, BS EN/EN61000-6-2(BS EN/EN50082-2), BS EN/EN61204-3, Heavy Industry Level	

Derating

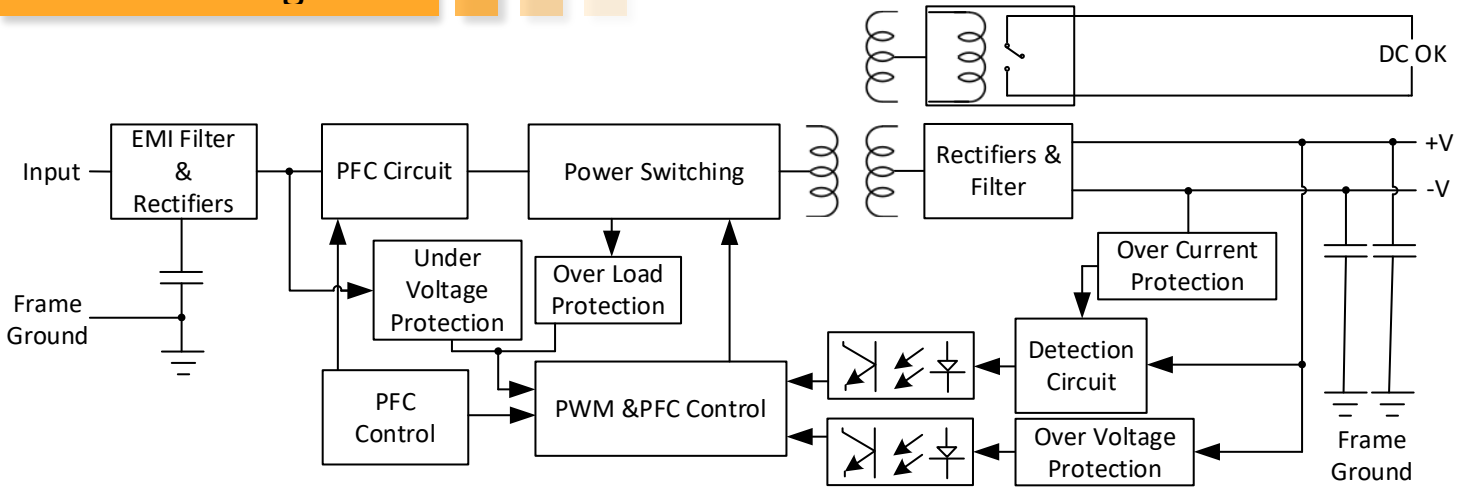


Dimensions



Pin Output Specifications	
Pin	Function
1	+V Output
2	+V Output
3	-V Output
4	-V Output
5	Relay Contact
6	Relay Contact
7	P+ (current share)
8	P- (current share)
9	GND \equiv
10	N
11	L
ADJ	Voltage Adjustment

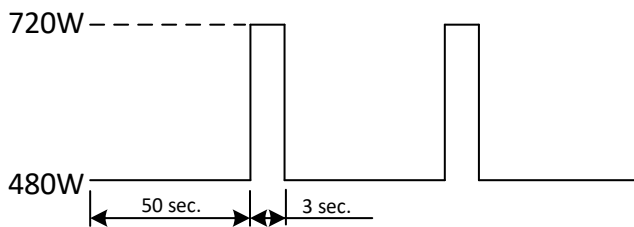
Functional Diagram



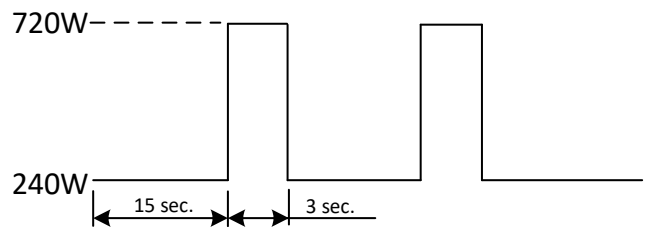
DC OK Relay Contact

Contact Closed	Power Supply Unit turns on / DC OK
Contact Open	Power Supply Unit turns off / DC FAIL
Contact Ratings (maximum)	30 V / 1 A resistive load

Peak Loading



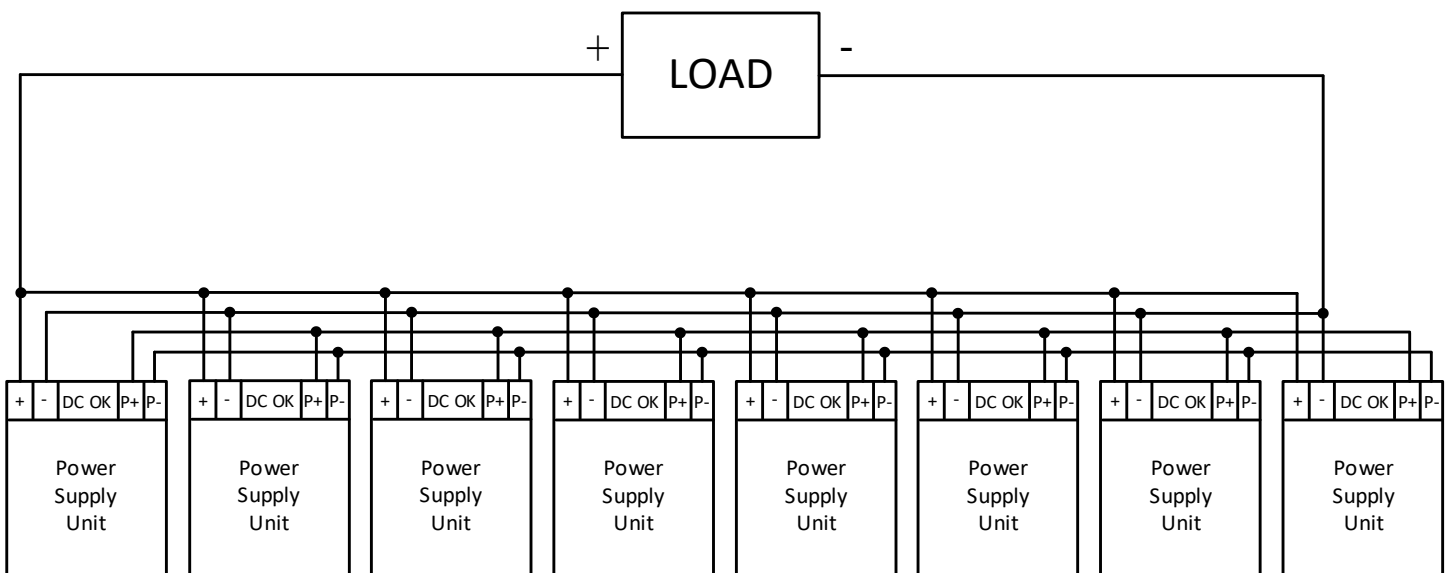
Full Load



Half Load

Current Sharing

The following diagram shows an example of current sharing with multiple power supply units connected in parallel. When connected as follows the output voltage difference between the parallel units should be less than 0.2V. The total output current must not exceed the following: (Output current at parallel operation)=(The rated current per unit)*(Number of units)*0.9. The maximum quantity of parallel operation is eight units, if more are needed, please contact the manufacturer. In parallel connection, the minimum output load should be more than 3% of the total output load (Min. load > 3% rated current per unit * number of units)



NOTE: 1. Datasheets are updated as needed and as such, specifications are subject to change without notice. Once printed or downloaded, datasheets are no longer controlled by Aimtec; refer to www.aimtec.com for the most current product specifications. 2. Product labels shown, including safety agency certifications on labels, may vary based on the date manufactured. 3. Mechanical drawings and specifications are for reference only. 4. All specifications are measured at an ambient temperature of 25°C, humidity<75%, nominal input voltage and at rated output load unless otherwise specified. 5. Aimtec may not have conducted destructive testing or chemical analysis on all internal components and chemicals at the time of publishing this document. CAS numbers and other limited information are considered proprietary and may not be available for release. 6. This product is not designed for use in critical life support systems, equipment used in hazardous environments, nuclear control systems or other such applications which necessitate specific safety and regulatory standards other the ones listed in this datasheet. 7. Warranty is in accordance with Aimtec's standard Terms of Sale available at www.aimtec.com.

X-ON Electronics

Largest Supplier of Electrical and Electronic Components

Click to view similar products for [DIN Rail Power Supplies](#) category:

Click to view products by [Aimtec](#) manufacturer:

Other Similar products are found below :

[DVP01PU-S](#) [DVPPS01](#) [DVPPS02](#) [ADNB040-24-1PM-C](#) [SS14011524](#) [PSC-6024](#) [PS-C12024](#) [PSC-2024](#) [96PSD-A40W24-MM](#) [PSD-A120W12](#) [NDR-7524](#) [787-1200.](#) [AMED75-48SJZ](#) [1SVR427043R1200](#) [50995](#) [50903](#) [EL50-D](#) [18924-9989](#) [50996](#) [HDN-3024](#) [ISED-120-24](#) [1335699](#) [1335698](#) [SPM3051](#) [POS DIN30W24](#) [SPB-015-12](#) [EL50-B](#) [50905](#) [DRB240-48-1](#) [DRS-480-48](#) [POS DIN30W15](#) [POS MDIN60W12](#) [18924-9988](#) [HDN-3012](#) [DRB480-48-3-A1](#) [CFM50S240-SD](#) [DRB480-24-3-A0](#) [DRB240-24-3-A0](#) [DRB480-72-3-A1](#) [DRB480-72-3-A0](#) [POS DIN60W24](#) [XCSD1030W012VAA](#) [DRB120-12-3-A1](#) [POS DIN60W15](#) [CFM70S050-SD](#) [DRB960-24-3-A0](#) [50904](#) [SPB-030-12](#) [DRB480-48-3-A0](#) [DRB960-24-3-A1](#)