

# Molded SMD Power Inductor



ASPIAIG-Q1513

Request Samples



Check Inventory



17.5 x 16.5 x 12.7 mm  
RoHS/RoHS II Compliant  
MSL Level = 1

## Features

- PPAP ready and supported
- TS16949 certified production lines
- AEC-Q200 Grade 0 qualified (-55°C ~ +155°C)
- Shielded construction
- Soft saturation
- Low DCR, High Efficiency

## Applications

- Body electronics and comfort system
- Infotainment and entertainment
- Electric vehicles
- Lighting
- Solar inverters and power
- Industrial and robotics
- Medium and high power switch mode power supplies.

## Electrical Specifications

Part Number	Inductance	Tolerance	DC Resistance	Saturation Current	Temperature Rise Current
	0.1MHz/0.1V		Max	Max	Max
Units	μH	%	mΩ	A	A
Symbol	L		DCR	Isat	Irms
ASPIAIG-Q1513-4R7	4.70	M	3.30	40.0	31.0
ASPIAIG-Q1513-5R6	5.60	M	3.90	35.0	29.0
ASPIAIG-Q1513-6R8	6.80	M	4.20	32.0	27.0
ASPIAIG-Q1513-8R2	8.20	M	5.70	29.0	26.0
ASPIAIG-Q1513-100	10.0	M	7.00	27.0	25.0
ASPIAIG-Q1513-150	15.0	M	7.50	21.0	22.0
ASPIAIG-Q1513-220	22.0	M	13.86	19.0	17.0
ASPIAIG-Q1513-330	33.0	M	22.20	16.0	14.0

## Test Conditions

**Isat:** DC current at which the inductance drops 30% from its value without current.

**Irms:** DC current that causes the temperature rise ( $\Delta T$ , approximate 40 °C) from 20°C ambient

**Operating Temperature:** -55°C ~ +155°C (including self-temperature rise)

**Storage Condition:** -55°C ~ +155°C (PCB mounted) and R.H. 60 max

**Operating Voltage:** 40V (across inductor)

ASPIAIG-Q1513 Series is **RoHS Compliant and Pb free**

ASPIAIG-Q1513 is **AEC-Q200 Grade 0 qualified (-55°C ~ +155°C)**

MSL level: 1



5101 Hidden Creek Ln Spicewood TX 78669  
Phone: 512-371-6159 | Fax: 512-351-8858  
For terms and conditions of sales, please visit:  
[www.abracon.com](http://www.abracon.com)

REVISED: 02-08-21

ABRACON IS  
ISO9001-2015  
CERTIFIED

# Molded SMD Power Inductor



ASPIAIG-Q1513

Request Samples



Check Inventory



17.5 x 16.5 x 12.7 mm  
RoHS/RoHS II Compliant  
MSL Level = 1

## Part Number Identification

ASPIAIG – Q1513 - [ ] [ ] - [ ]

### Inductance Code

See Electrical Specification table

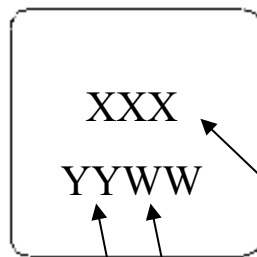
### Tolerance

M = ± 20%

### Packaging

T: Tape and Reel (100 pcs / reel)

## Marking



Inductance Code

e.g. 6R8

W: Week: E.g. 05 for the 5<sup>th</sup> week of the year.

Y: Year: E.g. 20 for 2020

Marking Method = Ink Marking



5101 Hidden Creek Ln Spicewood TX 78669  
Phone: 512-371-6159 | Fax: 512-351-8858  
For terms and conditions of sales, please visit:  
[www.abracon.com](http://www.abracon.com)

REVISED: 02-08-21

ABRACON IS  
ISO9001-2015  
CERTIFIED

# Molded SMD Power Inductor



**ASPIAIG-Q1513**

Request Samples

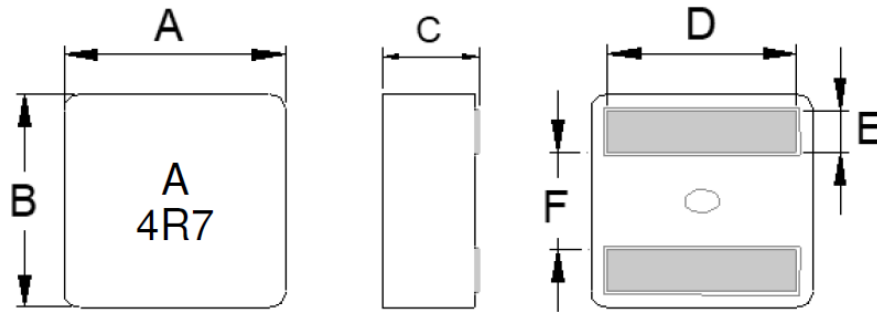


Check Inventory

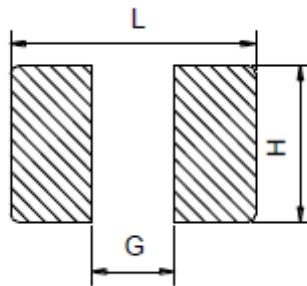


17.5 x 16.5 x 12.7 mm  
**RoHS/RoHS II Compliant**  
 MSL Level = 1

## Mechanical Dimensions



Series	A	B	C	D	E	F
ASPIAIG-Q1513	17.5 ± 0.3	16.5 ± 0.3	12.7 ± 0.3	13.2 ± 0.5	3.2 ± 0.2	7.0 ± 0.2



L	G	H
15.0 Ref.	6.0 Ref.	15.0 Ref.

Dimensions: mm

# Molded SMD Power Inductor



ASPIAIG-Q1513

Request Samples

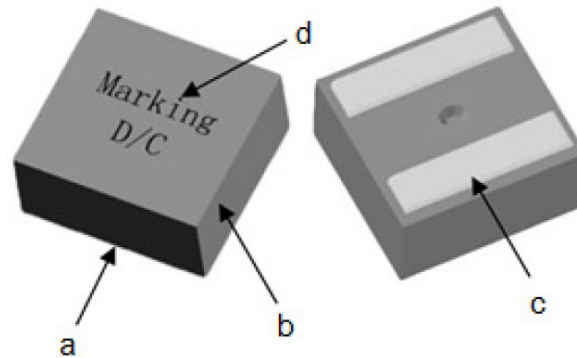


Check Inventory



17.5 x 16.5 x 12.7 mm  
RoHS/RoHS II Compliant  
MSL Level = 1

## Materials



	Components	Material
a	Core	Alloy powder
b	Wire	220 deg. C Flat Wire
c	Solder	100% Pb free solder
d	Ink	Halogen-free ketone

# Molded SMD Power Inductor



ASPIAIG-Q1513

Request Samples

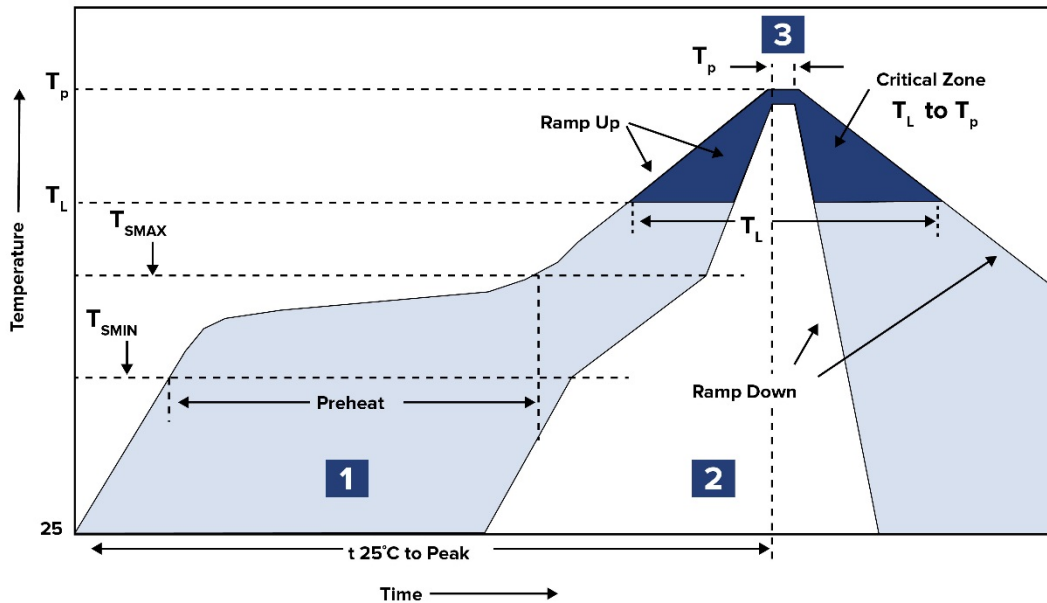


Check Inventory



17.5 x 16.5 x 12.7 mm  
 RoHS/RoHS II Compliant  
 MSL Level = 1

## Reflow Profile



Zone	Description	Temperature	Times
1	Preheat	$T_{SMIN} \sim T_{SMAX}$ 150°C ~ 200°C	60 ~ 120 sec.
2	Reflow	$T_L$ 217°C	60 ~ 150 sec.
3	Peak heat	$T_p$ 260°C	< 30 sec.

# Molded SMD Power Inductor



**ASPIAIG-Q1513**

Request Samples



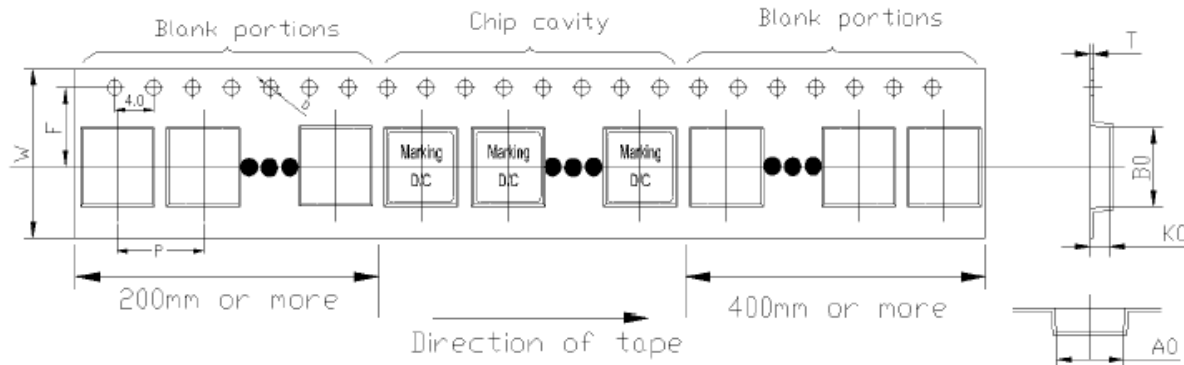
Check Inventory



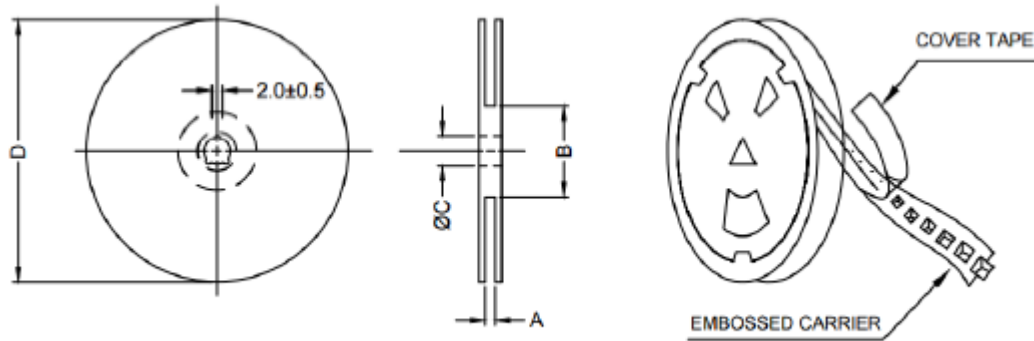
17.5 x 16.5 x 12.7 mm  
**RoHS/RoHS II Compliant**  
 MSL Level = 1

## Packaging

**Tape & Reel: 100 pcs/reel**



W	F	P	D	A <sub>0</sub>	B <sub>0</sub>	T	K <sub>0</sub>
32.0±0.3	14.2±0.1	24.0±0.1	1.5±0.1	18.0±0.1	17.0±0.1	0.5±0.05	13.6±0.1



A	B	C	D
34.4+2/-0	100 ± 2	13.0+0.5/-0.2	330

**ATTENTION:** Abracon LLC's products are COTS – Commercial-Off-The-Shelf products; suitable for Commercial, Industrial and, where designated, Automotive Applications. Abracon's products are not specifically designed for Military, Aviation, Aerospace, Life-dependent Medical applications or any application requiring high reliability where component failure could result in loss of life and/or property. For applications requiring high reliability and/or presenting an extreme operating environment, written consent and authorization from Abracon LLC is required. Please contact Abracon LLC for more information.



5101 Hidden Creek Ln Spicewood TX 78669  
 Phone: 512-371-6159 | Fax: 512-351-8858  
 For terms and conditions of sales, please visit:  
[www.abracon.com](http://www.abracon.com)

**REVISED: 02-08-21**

ABRACON IS  
 ISO9001-2015  
 CERTIFIED

## X-ON Electronics

Largest Supplier of Electrical and Electronic Components

*Click to view similar products for [Power Inductors - SMD category](#):*

*Click to view products by [Abracon manufacturer](#):*

Other Similar products are found below :

[LLQPB201214T1R0M](#) [LLXND3030QKT470MNG](#) [LLQPB160807T4R7M](#) [LVS606045-6R8M-N](#) [LVS808040-330M-N](#) [SSL1306T-101M-N](#)  
[LQB15NNR27K10D](#) [201610CDMCDDS-R47MC](#) [201610CDMCDDS-1R0MC](#) [201610CDMCDDS-R68MC](#) [LSQPB201210T220M](#)  
[LBCNF2012KKTR24MA](#) [LSQEA201212T220K](#) [LSQBB160808T470K](#) [LSQNB160808T470M](#) [LSBHB1608KKT2R2MG](#)  
[LSQPB160807T2R2M](#) [LSQEA201212T101K](#) [LCXND4040MKL4R7MDG](#) [LCXND3030QKT4R7MNG](#) [LSQPA322525T6R8MR](#)  
[LCXNH8080YKL101MJG](#) [LSCNA2012KKT1R0MA](#) [LSQPB160808T1R0M06](#) [LSQBA201212T220M](#) [LCXND5050WDL2R2NMG](#)  
[XAL5030-601MEC](#) [LSDND4040MKT1R0MM](#) [LCXND2020MKT2R2M0G](#) [LSXND5050YAL2R2NMG](#) [LCXND5050XKT150MMG](#)  
[LCDND4040WKT100MM](#) [LSXND6060YEL6R8MMG](#) [LSQPA322525T100KR](#) [IDC5020ER1R5M](#) [MSS1038T-334KLC](#) [SRP3212-R47M](#)  
[XAL4020-122MEC](#) [LPS4414-105MRC](#) [XAL1060-332MEC](#) [LPS3015-222MRC](#) [XAL6030-122MEC](#) [0402DF-591XJRW](#) [LPS6235-104MRC](#)  
[DO1605T-222MLC](#) [XFL2006-103MEC](#) [XFL2006-102MEC](#) [LPS4018-103MRC](#) [LPS5030-222MRC](#) [0402DF-560XJRW](#)