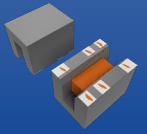


# 10/100/1000 Base-T, SMD PoE LAN Isolation Transformer



**ALANC001G**

Request Samples



Check Inventory



4.6 x 3.4 x 3.5 mm  
**RoHS/RoHS II Compliant**  
 MSL Level = 1

## Features

- Uniform transformer windings
- Power over Ethernet (PoE, PoE+) capable.
- Meets IEEE 802.3u and 802.3ab standards
- Compatible with 10 BASE-T, 100 BASE-TX and 1000 BASE-T
- Symmetric Orientation
- Operating temperature range of -40°C to +85°C
- RoHS Compliant
- 1CT:1CT Transformer

## Applications

- Fast and gigabit Ethernet
- Servers, switches and routers
- IP cameras, surveillance, and phone
- Access points
- Industrial computers and robotics
- Networking and communications
- Broadcast video
- Set top box

## Electrical Specifications @25°C

Part Number*	Inductance (uH Min)	Interwinding Capacitance (pF Max)	DC Resistance (Ω Max)		Rated Current (mA)	Insertion Loss (dB Max)	Return Loss (dB Min)	Hi Pot (VAC)	Turn Ratio
			Pins 1-2	Pins 4-5					
Test Condition	@100kHz, 0.1V	@ 100KHz, 0.2V			Pins 1-2-6 Pins 5-4-3	1 ~125 MHz	1 ~125 MHz	1 sec.	1-2 : 4-5
ALANC001G1-EADT	200	35	1.5	1.5	300	-1.5	-10	1500	1CT:1CT
ALANC001G2-EADT	180	35	1.2	1.2	600	-1.5	-10	1500	1CT:1CT

\*The “T” at the end of the part numbers refers to “Tape & Reel” packaging. For other options, please refer to the Part Identification section.

**ALANC001G series is RoHS/ RoHS II Compliant and Pb free.**

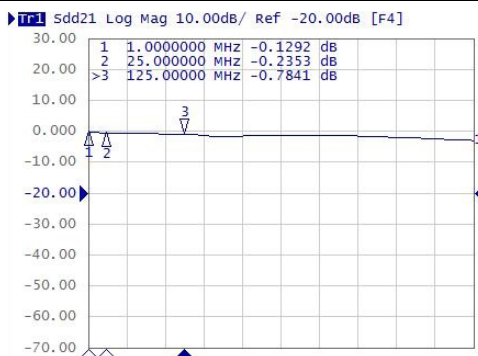
**Applicable Standards: IEEE 802.3u and 802.3ab.**

**Operating Temperature: -40°C ~ +85°C.**

**Storage Condition: -40°C ~ +85°C (on board), 40% - 60% RH.**

### ALANC001G1-EADT

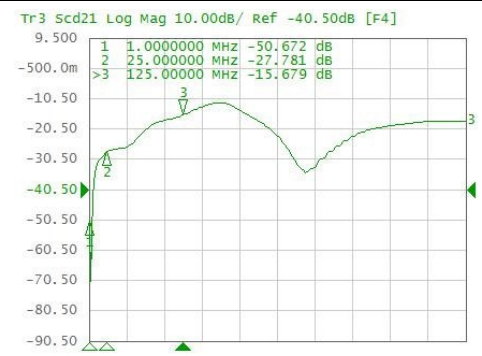
#### Insertion Loss (dB)



#### Return Loss (dB)



#### DCMR (dB)

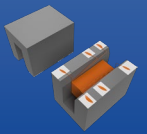


5101 Hidden Creek Ln, Spicewood TX 78669  
 Phone: 512-371-6159 Fax: 512-351-8858  
 For terms and conditions of sales, please visit:  
[www.abracon.com](http://www.abracon.com)

**REVISION A : 11/12/2024**

ABRACON IS  
 ISO9001-2015  
 CERTIFIED

# 10/100/1000 Base-T, SMD PoE LAN Isolation Transformer



**ALANC001G**

Request Samples



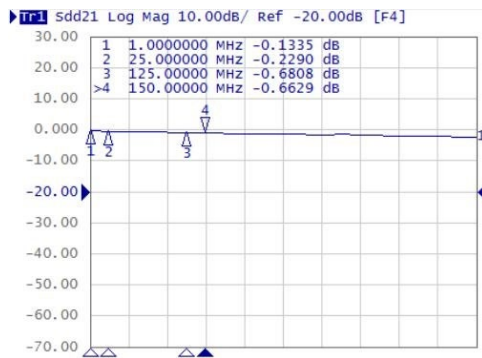
Check Inventory



4.6 x 3.4 x 3.5 mm  
**RoHS/RoHS II Compliant**  
 MSL Level = 1

## ALANC001G2-EADT

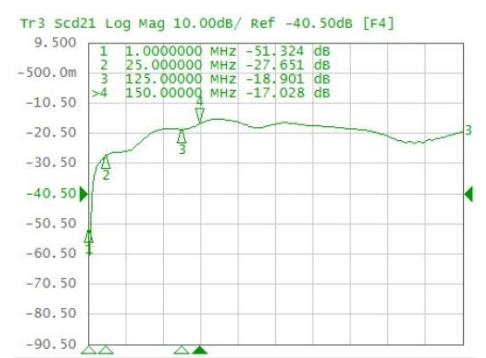
**Insertion Loss (dB)**



**Return Loss (dB)**

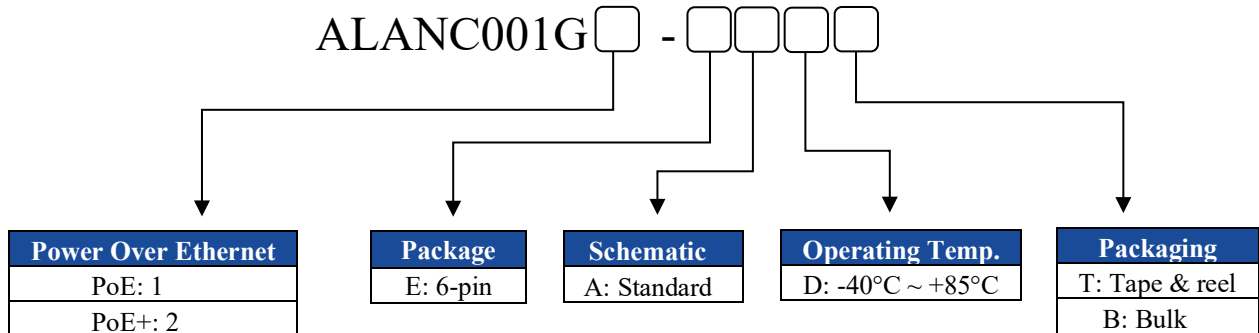


**DCMR (dB)**



## Part Identification

ALANC001G - - - -

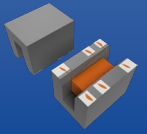


5101 Hidden Creek Ln, Spicewood TX 78669  
 Phone: 512-371-6159 Fax: 512-351-8858  
 For terms and conditions of sales, please visit:  
[www.abracon.com](http://www.abracon.com)

**REVISION A : 11/12/2024**

ABRACON IS  
 ISO9001-2015  
 CERTIFIED

# 10/100/1000 Base-T, SMD PoE LAN Isolation Transformer



**ALANC001G**

Request Samples



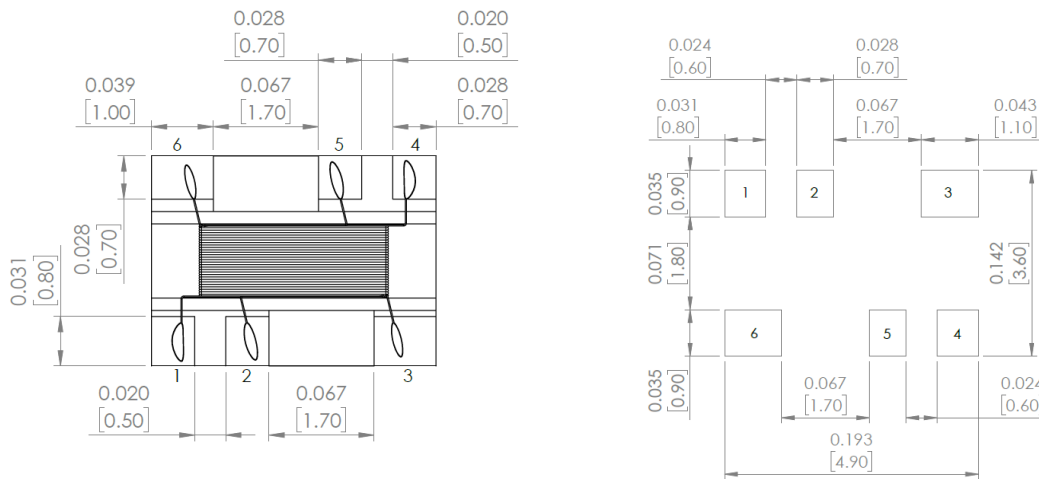
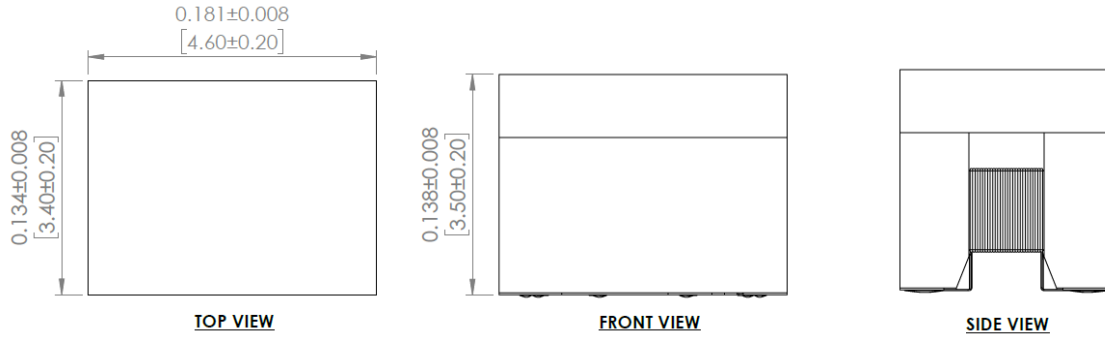
Check Inventory



4.6 x 3.4 x 3.5 mm  
**RoHS/RoHS II Compliant**  
 MSL Level = 1

## Mechanical Specifications

### Package E: 6-pin

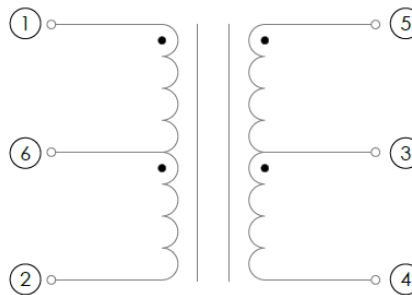


Dimensions unit: inches [mm]

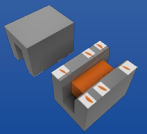
### Recommended Land Pattern

## Schematic

### A: Standard



# 10/100/1000 Base-T, SMD PoE LAN Isolation Transformer



ALANC001G

Request Samples

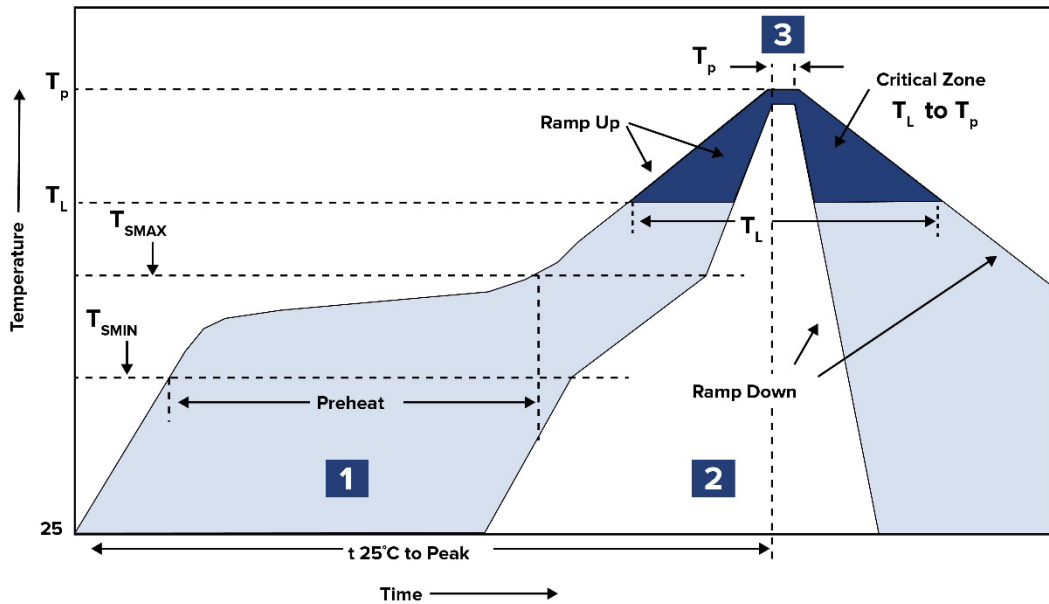


Check Inventory



4.6 x 3.4 x 3.5 mm  
RoHS/RoHS II Compliant  
MSL Level = 1

## Reflow Profile



Zone	Description	Temperature	Times
1	Preheat	$T_{SMIN} \sim T_{SMAX}$ 150°C ~ 200°C	60 ~ 180 sec.
2	Reflow	$T_L$ 217°C	60 ~ 150 sec.
3	Peak heat	$T_P$ 260°C	10 sec. MAX

## X-ON Electronics

Largest Supplier of Electrical and Electronic Components

*Click to view similar products for [Audio Transformers](#) / [Signal Transformers](#) category:*

*Click to view products by [Abracon](#) manufacturer:*

Other Similar products are found below :

[CU4S0506AT-2655-H1](#) [MGPWT-00449-P](#) [PE-64961](#) [1812WBT2-4](#) [1879479-1](#) [PA1528ANL](#) [T1137NLT](#) [PE-65848FNLT](#) [H5019EFNL](#)  
[TG1G-E201NV6LF](#) [MGPWT-00059-P](#) [MGPWT-00266-P](#) [MGPWT-00431-P](#) [TTC-100](#) [TTC-143-H](#) [4-1879391-0](#) [100213](#) [T1142NL](#) [TG1G-](#)  
[S001NZLF](#) [1879732-1](#) [2-1879391-5](#) [TX1341NL](#) [H0013FNL](#) [H5004NLT](#) [SCMS7D43AY100PT1](#) [T5008NLT](#) [PE-68517T](#) [H5014FNLT](#)  
[TX1473NLT](#) [PE-69011NLT](#) [CX2043LNLT](#) [H1259NLT](#) [S558-5500-JV](#) [T7015NL](#) [100B-4007](#) [TG1G-E005J24LF](#) [TG10-1205NS](#) [MGPWT-](#)  
[00334-P](#) [MGPWT-00401-P](#) [6W68HF](#) [TX1266NL](#) [TX1266NLT](#) [HX2305NL](#) [H16101MC](#) [TG1G-E220NWLF](#) [S558-5500-72](#) [C2267NL](#)  
[BX4550NL](#) [TY-141P-B](#) [X4BD40L1-5050G](#)