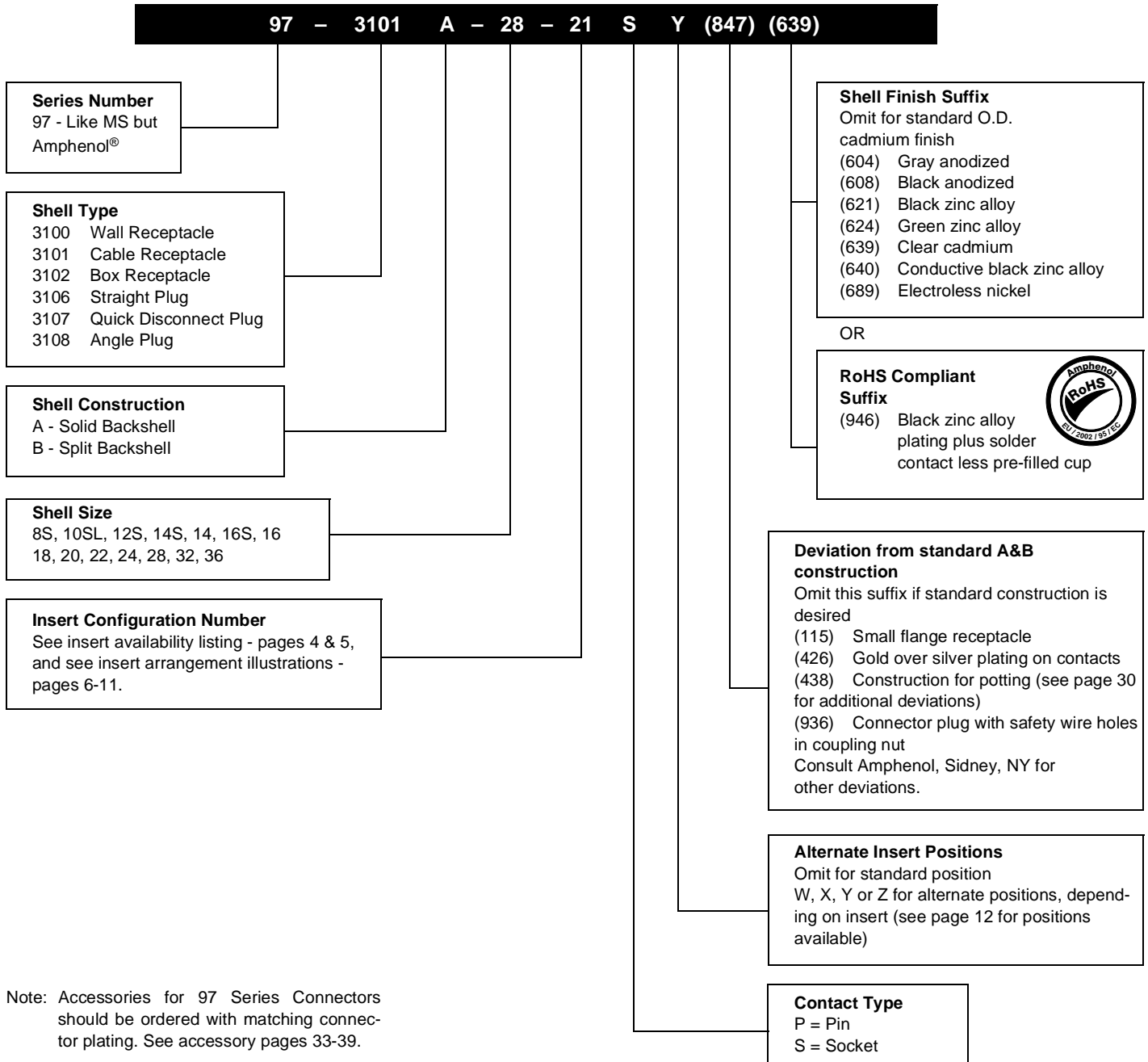


# 97 series solder type how to order

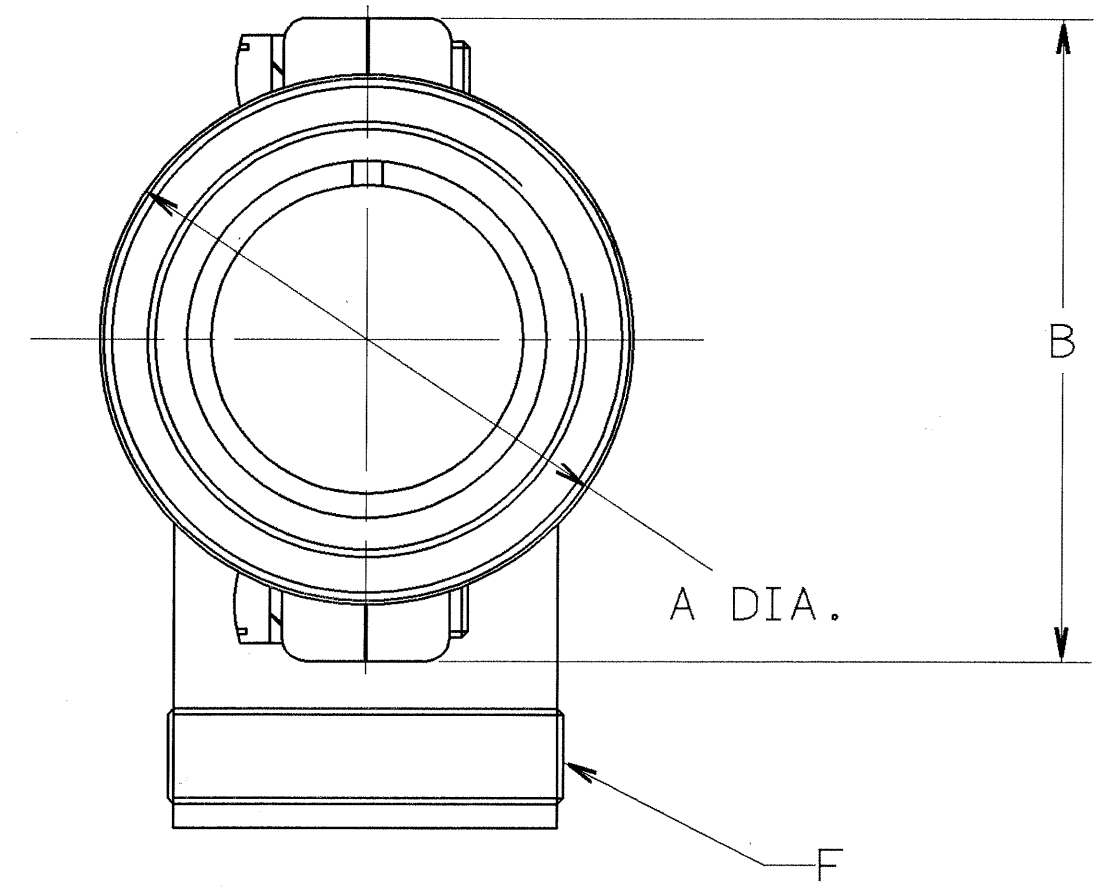
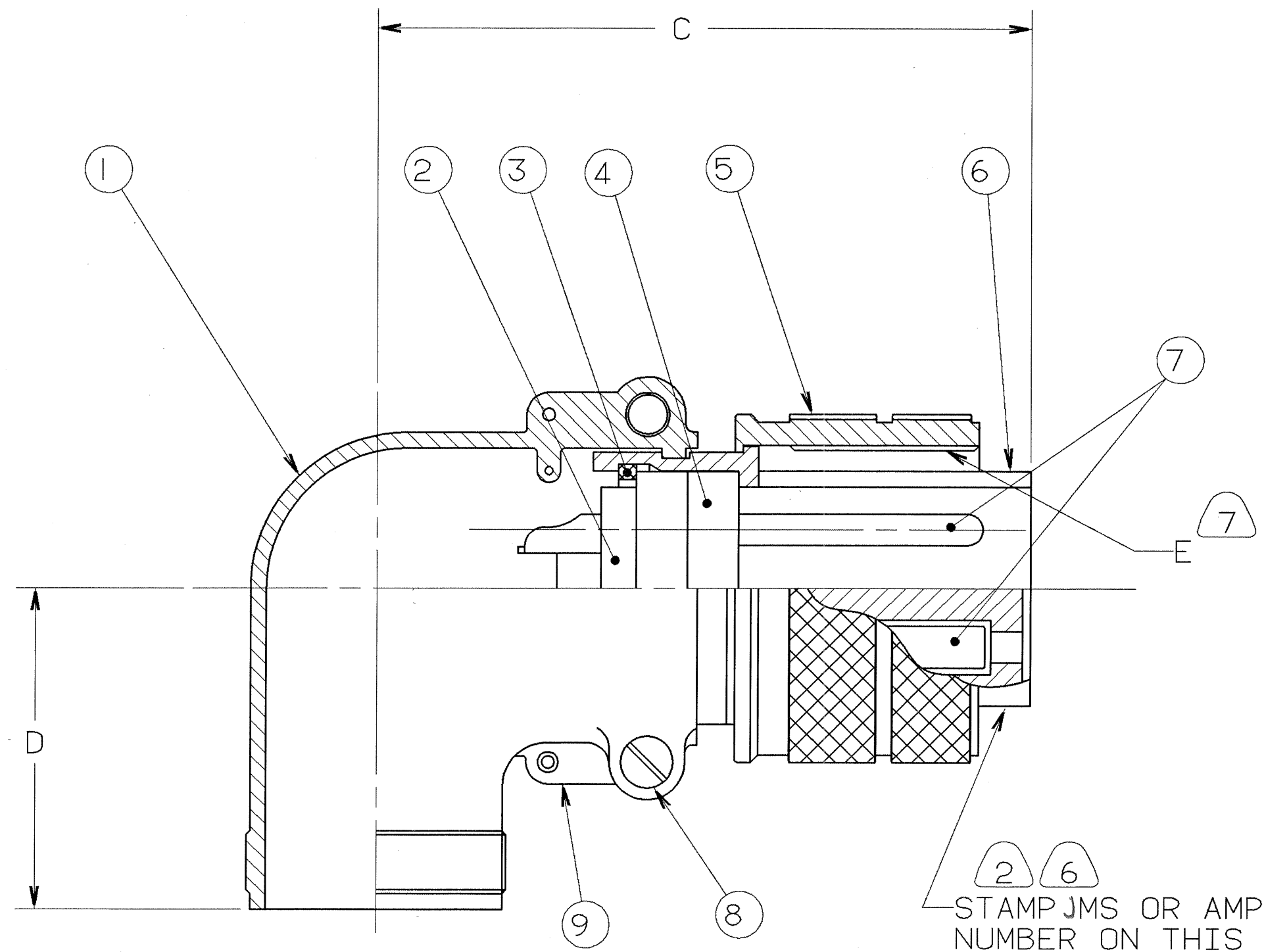
Example of part number for solder type connectors is given below.



Note: Accessories for 97 Series Connectors should be ordered with matching connector plating. See accessory pages 33-39.

97-3108B-12S-3P PRELSE 10-820160/179 0001

REVISIONS				
ZONE	LTR	DESCRIPTION	DATE	APPROVED
	D	(CLII) ADDED NOTE 8 ECN:22391	08/29/89 BURNSIDE	m.m. J.B.
	E	(CLII) SEE ECN 91398	9/16/89	J. Balcan



STAMP JMS OR AMPHENOL ASSEMBLY NUMBER ON THIS SURFACE.  
 CHARACTER HEIGHT .062 MINIMUM.  
 EXAMPLE: JMS 3108B-12S-3P OR 97-3108B-12S-3P

FIND NO.	QTY REQD.	FSCM NO.	PART NUMBER	DESCRIPTION	NOTE REF.
9	SEE NOTE		SEE NOTE 1	BACK SHELL, MALE	
8				SCREW, BACK SHELL	
7				CONTACTS	
6				SHELL	
5				RING, COUPLING	7
4				INSERT, FRONT	
3				RING, RETAINING	
2				INSERT, REAR	
1				BACK SHELL, FEMALE	

UNLESS OTHERWISE SPECIFIED  
 LINEAR DIMENSIONS ARE IN  
 INCHES.  
 TOLERANCES: .XXX±.010,  
 .XX ±.03, .X ±.1,  
 ANGLES ±2°.  
 OTHER STANDARDS PER 9-3800  
 AND DOD-D-1000.

SPECIFICATIONS		SIGNATURES		DATES	
MATERIAL SPEC.	N/A	PREPARED A. PRESCOTT	11/06/87	AMPHENOL CORPORATION BENDIX CONNECTOR OPERATIONS SIDNEY, N.Y.	
PROCESS SPEC.	9-2437-33 9-7568	CHECKED PHILPOTT	11/17/87	CONNECTOR, ELECTRICAL PLUG, TYPE 97-3108B, OLIVE DRAB CADMIUM PLATE.	
		APPROVED BERNHARDT	11/16/87	SIZE C	FSCM NO. 77820
		APPROVED HAYNER	11/17/87	SCALE NONE	WT. REF N/A
		1ST PART NO. 10-820162-03S			REV. E

SEE SHEET 2.  
NOTES:

THE USE OF THIS DOCUMENT IS UNLIMITED.  
 HOWEVER, DOCUMENTS REFERENCED HEREON  
 MAY CONTAIN LIMITED RIGHTS DATA.

N/A  
 N/A  
 NEXT ASSEMBLY

NOTE REF. =

97-3108B

8-30789 08 17 \* 89241 15 43 \* PRELISE \* 10-820160/179 0002

4

3

2

1

BENDIX ASSEMBLY NUMBER	AMPHENOL ASSEMBLY NUMBER	MS ASSEMBLY NUMBER	A DIA.	B	C	D	E THREAD	F THREAD
10-820160-()	97-3108B- 8S -()	MS3108B - 8S -()	NOT AVAILABLE					
1-()	-10S -()	-10S -()	NOT AVAILABLE					
2-()	-10SL-()	-10SL-()	.875	-----	1.500	1.000	.6250-24 UNEF-2B	.6250-24 UNEF-2A
3-()	-12S -()	-12S -()	1.000	-----	1.562	1.000	.7500-20 UNEF-2B	.6250-24 UNEF-2A
4-()	-12SL-()	-12SL-()	NOT AVAILABLE					
5-()	-12 -()	-12 -()	1.000	-----	1.875	1.000	.7500-20 UNEF-2B	.6250-24 UNEF-2A
6-()	-14S -()	-14S -()	1.125	1.281	1.719	1.063	.8750-20 UNEF-2B	.7500-20 UNEF-2A
7-()	-14 -()	-14 -()	NOT AVAILABLE					
8-()	-16S -()	-16S -()	1.250	1.500	1.750	1.125	1.0000-20 UNEF-2B	.8750-20 UNEF-2A
9-()	-16 -()	-16 -()	1.250	1.500	2.125	1.125	1.0000-20 UNEF-2B	.8750-20 UNEF-2A
10-820170-()	-18 -()	-18 -()	1.344	1.641	2.156	1.187	1.1250-18 UNEF-2B	1.0000-20 UNEF-2A
1-()	-20 -()	-20 -()	1.469	1.812	2.375	1.312	1.2500-18 UNEF-2B	1.1875-18 UNEF-2A
2-()	-22 -()	-22 -()	1.594	1.937	2.406	1.312	1.3750-18 UNEF-2B	1.1875-18 UNEF-2A
3-()	-24 -()	-24 -()	1.719	2.063	2.625	1.437	1.5000-18 UNEF-2B	1.4375-18 UNEF-2A
4-()	-28 -()	-28 -()	1.969	2.312	2.625	1.437	1.7500-18 UNEF-2B	1.4375-18 UNEF-2A
5-()	-32 -()	-32 -()	2.219	2.594	2.812	1.750	2.0000-18 UNEF-2B	1.7500-18 UNEF-2A
6-()	-36 -()	-36 -()	2.469	2.848	2.844	1.937	2.2500-16 UNEF-2B	2.0000-18 UNEF-2A
7-()	-40 -()	-40 -()	2.719	3.156	2.969	2.062	2.2500-16 UNEF-2B	2.2500-16 UN -2A
8-()	-44 -()	-44 -()	NOT AVAILABLE					
9-()	-48 -()	-48 -()	NOT AVAILABLE					

TO COMPLETE, ADD APPLICABLE INSERT ARRANGEMENT SUFFIX PER 9-2437-33. <sup>6</sup>

8. IDENTIFY PACKAGE WITH APPLICABLE MS OR 97- PART NUMBER PER NOTE 6.
7. APPLY LUBRICANT 9-7568 TO THREADS OF COUPLING RING.
6. FOR BENDIX INSERT ARRANGEMENT SUFFIX -1 THROUGH -49, STAMP MS ASSEMBLY NUMBER. FOR BENDIX INSERT ARRANGEMENT SUFFIX -50 THROUGH -99, AND -AA THROUGH -BC, STAMP AMPHENOL ASSEMBLY NUMBER.
5. FOR CONTACT ARRANGEMENT, SEE MIL-STD-1651 AND L-22208-() THROUGH L-22248-() .
4. PACKAGE PER PRODUCTION PROCESS SHEET.
3. UNITS MEET THE APPLICABLE REQUIREMENTS OF MIL-C-5015.
2. SEE WORK ORDER FOR PERMISSIBLE ADDITIONAL OR ALTERNATE STAMPING.
1. SEE SEPARATE PARTS LIST FOR COMPONENT PART NUMBERS AND QUANTITIES.

NOTES:

THE USE OF THIS DOCUMENT IS UNLIMITED. HOWEVER, DOCUMENTS REFERENCED HEREON MAY CONTAIN LIMITED RIGHTS DATA.

SIZE	FSCM NO.	REV.
C	77820	E
SCALE	WT.	REF
		SHEET 2

COMPUTER GENERATED DRAWING

TAB.

97-3108B

B

A