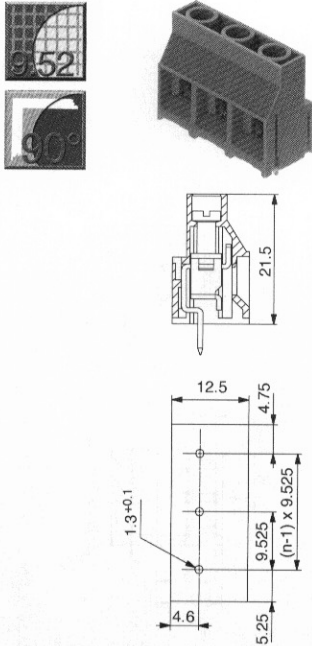


LL 9.52/90

new



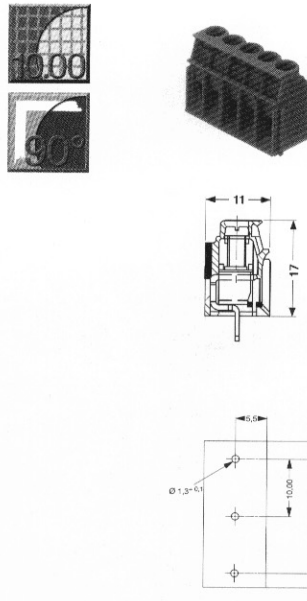
Technical data	VDE	UL	CSA
Rated voltage (V)	630*	300	300
Rated current (A)	32	30	10
Wire size (mm ² /AWG)	4.0	26...10	10

*Pollution severity 3 / Overvoltage category III
Additional technical data see page 62

Solder pin length 5.0 mm 5.0 mm

Poles	Type	Part No.	Part No.	Qty.
2	LL 9.5/2/90	1724680000	1724700000	50
3	LL 9.5/3/90	1724690000	1724710000	50

LP 10.00/90



Technical data	VDE	UL	CSA
Rated voltage (V)	630*	300	300
Rated current (A)	26	15	20
Wire size (mm ² /AWG)	4.0	26...12	12

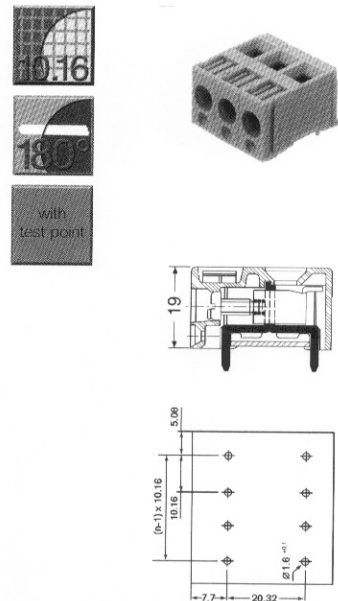
*Pollution severity 3 / Overvoltage category III
Additional technical data see page 60

Solder pin length 3.2 mm

Poles	Type	Part No.	Qty.
2	LP 10.00/2/90	1693650000	50
3	LP 10.00/3/90	1693660000	50
4	LP 10.00/4/90	1692700000	50

Accessories	Page
Marking	40
Mounting	46
Miscellaneous	45

GSE 10/180



Technical data	VDE	UL	CSA
Rated voltage (V)	500*	150	300
Rated current (A)	59	40	40
Wire size (mm ² /AWG)	10.0	22...8	8

*Pollution severity 3 / Overvoltage category III
Additional technical data see page 64

Solder pin length 4.5 mm

Poles	Type	Part No.	Qty.
2	GSE 10/2/180	995414	
3	GSE 10/3/180	047890	
4	GSE 10/4/180	995415	
5	GSE 10/5/180	995836	
6	GSE 10/6/180	995416	
7	GSE 10/7/180	995837	
8	GSE 10/8/180	995417	
9	GSE 10/9/180	995838	
10	GSE 10/10/180	995418	

Accessories	Page
Marking	40, 42
Mounting	-
Miscellaneous	45

X-ON Electronics

Largest Supplier of Electrical and Electronic Components

Click to view similar products for [weidmuller](#) manufacturer:

Other Similar products are found below :

[8924550000](#) [56956](#) [0133660000](#) [6720000227](#) [6720005111](#) [68676](#) [69718](#) [EXO24CH](#) [7940000218](#) [8005181001](#) [8008180000](#) [8432240000](#)
[8463580000](#) [8545830000](#) [8689870000](#) [8705640000](#) [8869870000](#) [9001080000](#) [9003720000](#) [9004250000](#) [9004780000](#) [9013260000](#)
[9014100000](#) [9019040000](#) [9026010000](#) [9028630000](#) [903708](#) [9037350000](#) [9046290000](#) [9129643500](#) [913155](#) [9159530000](#) [919656](#) [919764](#)
[9202230000](#) [9202850000](#) [9204260000](#) [9456750000](#) [9457913000](#) [980811](#) [980826](#) [9912800003](#) [9916080000](#) [9916280012](#) [9918380000](#)
[9919371205](#) [9919371224](#) [9925710000](#) [9926252005](#) [9927480024](#)