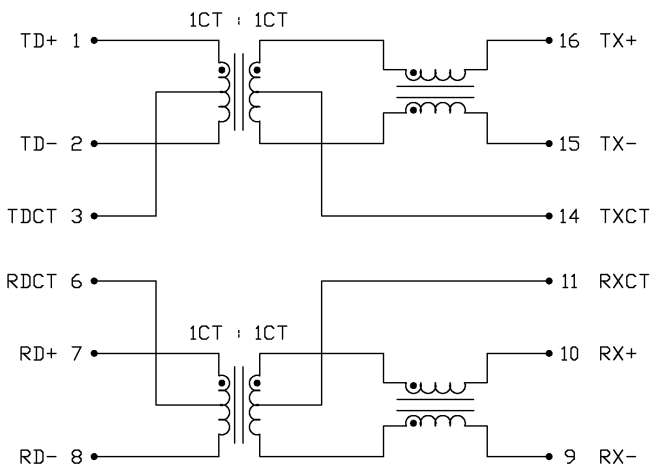


THE INFORMATION CONTAINED HEREIN IS CONSIDERED "PROPRIETARY" TO BEL FUSE INC. AND SHALL NOT BE COPIED, REPRODUCED OR DISCLOSED WITHOUT THE WRITTEN APPROVAL OF BEL FUSE INC.



SCHEMATIC



ELECTRICAL CHARACTERISTICS @ 25°C

<p>URNS RATIO Tx (16&14&15) : (1&3&2) Rx (7&6&8) : (10&11&9)</p>	<p>1CT : 1CT 1CT : 1CT</p>
<p>HASING DCL (-40°C - +85°C) WITH 8mA DC BIAS & 100mVrms @ 100kHz Rx (10&9) OPEN 7&8 Tx (16&15) OPEN 1&2</p>	<p>16 TO 1 ; 15 TO 2 10 TO 7 ; 9 TO 8 350µH MIN. 350µH MIN.</p>
<p>LEAKAGE INDUCTANCE, Le (-40°C - +85°C) MEASURED WIHT 100mVrms @ 1MHz Rx (10&9) WITH 7&8 SHORTED Tx (16&15) WITH 1&2 SHORTED</p>	<p>0.4µH MAX. 0.4µH MAX.</p>
<p>INTERWINDING CAPACITANCE, Cw/w Rx (7&8 TO 10&9) Tx (1&2 TO 16&15)</p>	<p>25pF MAX. 25pF MAX.</p>
<p>DCR WINDING RESISTANCE (1-2) ; (7-8)</p>	<p>1.00HM MAX.</p>
<p>INSERTION LOSS @ 100kHz TO 80MHz</p>	<p>1.0dB MAX.</p>
<p>RETURN LOSS (UNDER 100Ω ±15% ENVIRONMENT) @ 0.5 TO 30 MHz @ 30 TO 60 MHz @ 60 TO 80 MHz</p>	<p>16dB MIN. 16-20 LOG (f/30MHz) 10dB MIN.</p>
<p>COMMON MODE TO COMMON MODE ATTENUATION @ 0.1 TO 80 MHz @ 80 TO 125 MHz @ 125 TO 250 MHz</p>	<p>38dB MIN. 30dB MIN. 10dB MIN.</p>
<p>CROSS TALK @ 0.1 TO 80 MHz @ 80 TO 125 MHz @ 125 TO 250 MHz</p>	<p>38dB MIN. 30dB MIN. 10dB MIN.</p>
<p>COMMON MODE TO DIFFERENTIAL MODE ATTENUATION @ 0.1 TO 80 MHz @ 80 TO 125 MHz @ 125 TO 250 MHz</p>	<p>38dB MIN. 30dB MIN. 10dB MIN.</p>
<p>HIPDT</p>	<p>PER HAND-WORK-03</p>

ORIGINATED BY	DATE	TITLE	PART NO. / DRAWING NO.	STANDARD DIM. TOL. IN INCH	[] METRIC DIM. AS REFERENCE	<p>COMPONENTS ON A CONNECTED PLANE</p>	
HQ	01-18-06	10/100BASE-T MODULE S558-5999-Z6-F	X5585999Z6-F	.X	UNIT : INCH [mm]		REV. : A
DRAWN BY	DATE		FILE NAME	.XX ±0.01	SCALE : N/A		SIZE : A4
DQ Chen	01-18-06		X5585999Z6FA.DWG	.XXX ±0.005		PAGE : 2	

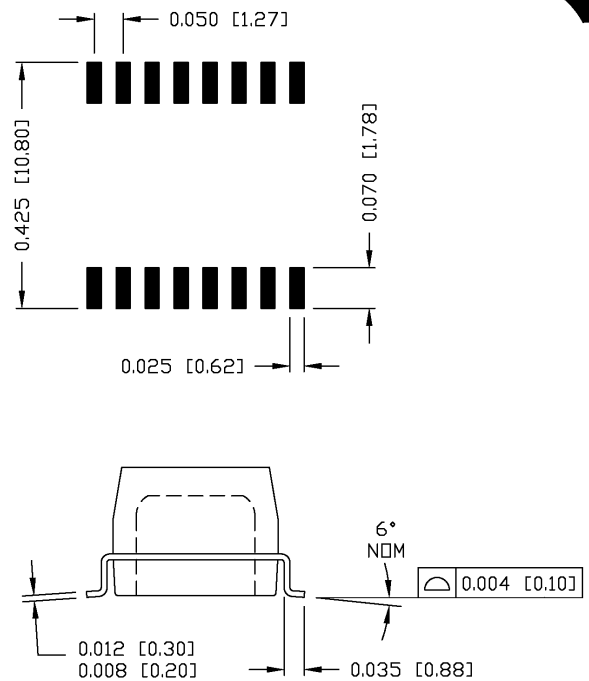
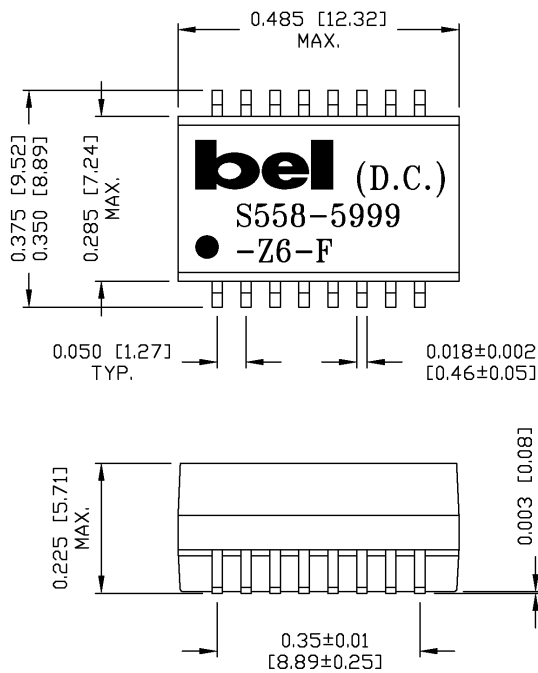
DC002(2)032305

This document is electronically generated. This is a controlled copy if used internally

THE INFORMATION CONTAINED HEREIN IS CONSIDERED "PROPRIETARY" TO BEL FUSE INC. AND SHALL NOT BE COPIED, REPRODUCED OR DISCLOSED WITHOUT THE WRITTEN APPROVAL OF BEL FUSE INC.



SUGGESTED PCB PAD LAYOUT



NOTES:

- STANDARD MARKING REFER TO DOC. HAND-WORK-04.
- PACKAGE CODE: "QBS001".

ORIGINATED BY	DATE	TITLE	PART NO. / DRAWING NO.	STANDARD DIM. TOL. IN INCH	[] METRIC DIM. AS REFERENCE	 COMPONENTS ON A CONNECTED PLANE	
HQ	01-18-06	MECHANICAL DRAWING	X5585999Z6-F	.X	UNIT : INCH [mm]		REV. : A
DRAWN BY	DATE	S558-5999-Z6-F	FILE NAME	.XX ±0.01	SCALE : N/A		SIZE : A4
DQ Chen	01-18-06		X5585999Z6FA.DWG	.XXX ±0.005		PAGE : 3	

DC002(2)032305

This document is electronically generated. This is a controlled copy if used internally

X-ON Electronics

Largest Supplier of Electrical and Electronic Components

Click to view similar products for [bel fuse manufacturer](#):

Other Similar products are found below :

[P2404DB](#) [1786-TNCJI4/A](#) [131-3711-207](#) [ATT-523F-05-SMA-02](#) [TNG1-1-150](#) [1840855-7](#) [111-0707-001](#) [CP-AD851](#) [CP-AD502](#) [5SF 200-R](#)
[312A5066-P3](#) [133-9701-314](#) [010-0055](#) [M24308/1-12F](#) [M24308/2-336Z](#) [M24308/2-343Z](#) [M24308/3-21F](#) [70-1080](#) [MAP40-3003G](#) [73-6311-](#)
[10](#) [73-6354-3](#) [73-6670-7](#) [PET2000-12-074NA](#) [PL1WC-026](#) [PL75-45BR](#) [PL75MC-217](#) [PS-15201](#) [PS-15206](#) [PSAC-17312](#) [PSK3616-7](#)
[QM48T40033-PDB0](#) [127-0692-001](#) [127-2701-602](#) [ADPL75-E1-UBJ20](#) [ADRMF70](#) [ADT-2540-7M-SMM-02](#) [ADT-2545-7M-NNF-02](#) [DCB-](#)
[3510-FF-SMA-02](#) [DCDM100CS](#) [DCDM-15S6E5-36.0K](#) [DCHM15SCBRPN-HT1](#) [131-8403-011](#) [RFI21-13](#) [RFI75-8-D3](#) [DDM50SA156](#) [131-](#)
[3693-116](#) [DEME9S](#) [DEMM9SM](#) [DFC10U48D12](#) [140-0000-954](#)