

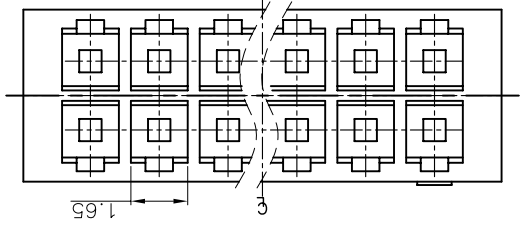
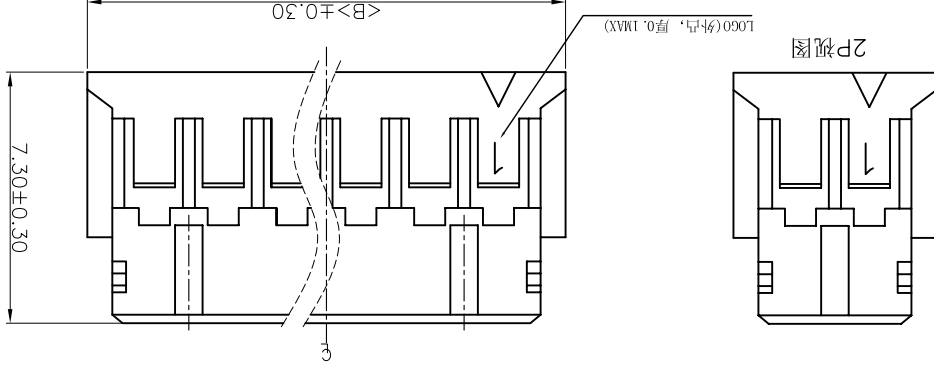
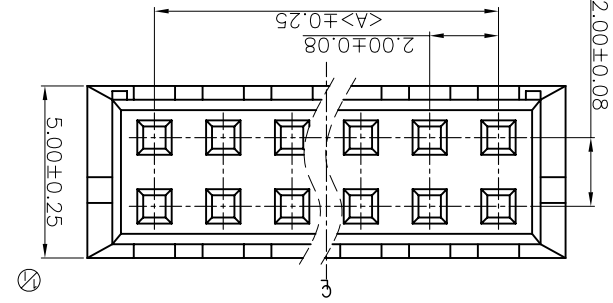
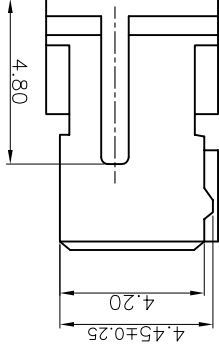
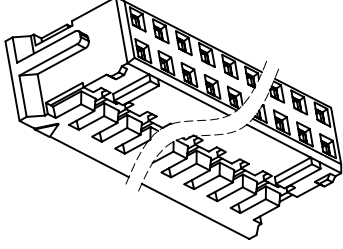
REV.	ECN NO.	DESCRIPTION	DATE	DESIGN
A		委重料号	16/11/22	苏亮

NOTES:

CURRENT RATING:3A AC/DC.  
 VOLTAGE RATING:250V AC/DC  
 TEMPERATURE RANGE:-40°C~+105°C.  
 CONTACT RESISTANCE:10MΩ Max.  
 INSULATION RESISTANCE:1000MΩ Min.  
 WITHSTANDING VOLTAGE: 800V AC/MINUTE.  
 MATERIAL:PA66,UL94V-0.

PART NO.	A	Dimensions
	B	

A2006H-2X02P	2.00	6.00
A2006H-2X03P	4.00	8.00
A2006H-2X04P	6.00	10.00
A2006H-2X05P	8.00	12.00
A2006H-2X06P	10.00	14.00
A2006H-2X07P	12.00	16.00
A2006H-2X08P	14.00	18.00
A2006H-2X09P	16.00	20.00
A2006H-2X10P	18.00	22.00
A2006H-2X11P	20.00	24.00
A2006H-2X12P	22.00	26.00
A2006H-2X13P	24.00	28.00
A2006H-2X14P	26.00	30.00
A2006H-2X15P	28.00	32.00
A2006H-2X16P	30.00	34.00
A2006H-2X17P	32.00	36.00
A2006H-2X18P	34.00	38.00
A2006H-2X19P	36.00	40.00
A2006H-2X20P	38.00	42.00



**CNJM** Joint More Precision electronics Co.,Ltd.

DRAW NO.:	DATE:	P/N NO.:	DRAW NAME:
DESIGN:	陈雪峰	A2006H-2XNP	2.0mm pitch housing
CHECK:	杨焯	REV. A/1	SCALE 1:1
REVIEW:		UNIT: mm	SHEET: 1 OF 1

DIM	TOL	X.XX	/	X.XX
DIM	TOL	X.X	/	X.X
DIM	TOL	0.25	/	X.X
DIM	TOL	0.15	/	X.XX
DIM	TOL	0.10	/	X.XX

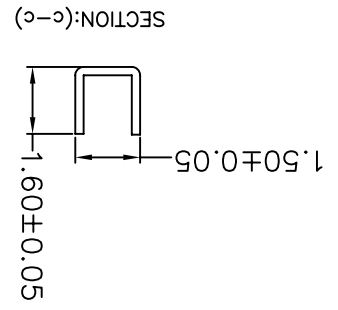
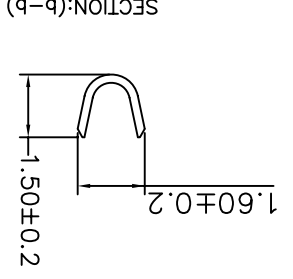
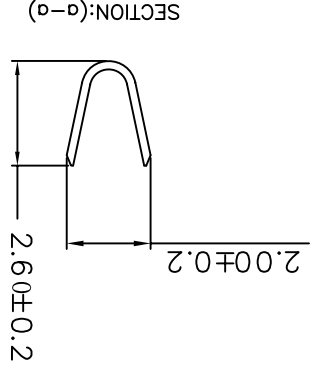
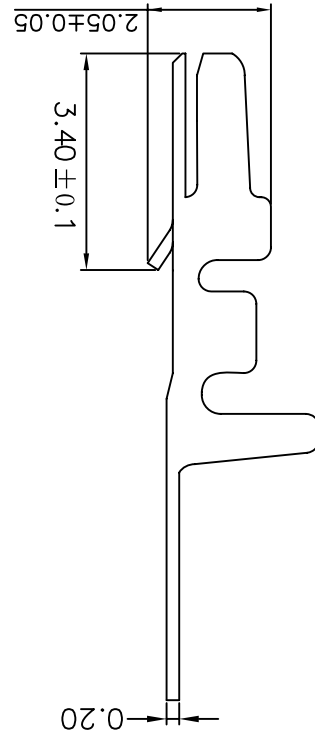
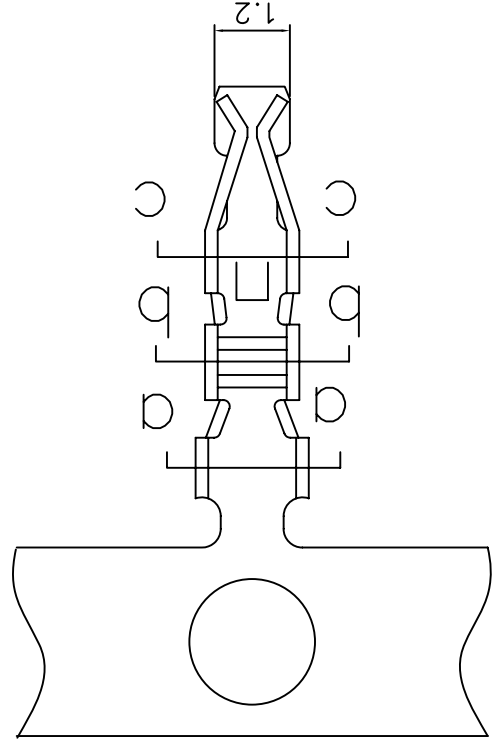
Part NO.	Wire range	Insulation O.D.	Materials	Finish	Qty/reel
A2006-TP	AWG#22-28	1.5mm(max)	Phosphor Bronze	Tin-plated	1000PCS
A2006-TPE	AWG#22-28	1.5mm(max)	Phosphor Bronze	Tin-plated	1000PCS

DIM	TOL	DIM	TOL
X.XX	/	X.XX	/
X.XX	0.15	X.XX	0.10
X.X	0.25	X.X	/
X	/	X	/
DIM	TOL	DIM	TOL

REV. NO.	DATE	P/N NO.	DESIGN	CHECK	REVIEW
A	2017.06.08	A2006-XXX	陈雪峰	杨焯	

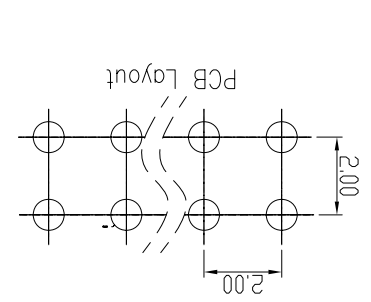
REV. A/1	SCALE 1:1	UNIT: mm	SHEET: 1 OF 1
DRAW NAME: 2.0mm pitch Terminal			

**CNJM** Joint More Precision electronics Co.,Ltd.

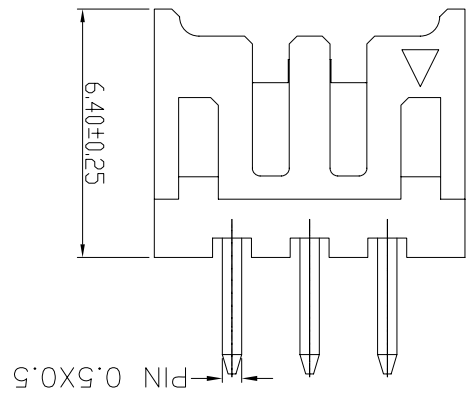
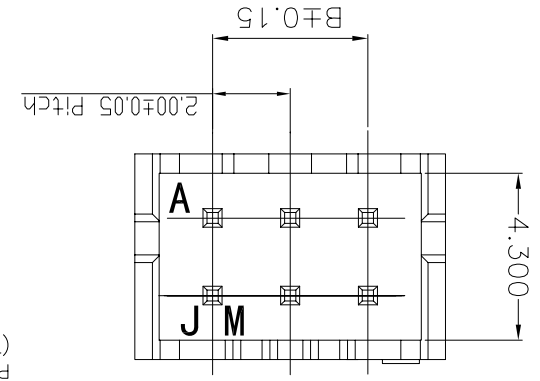
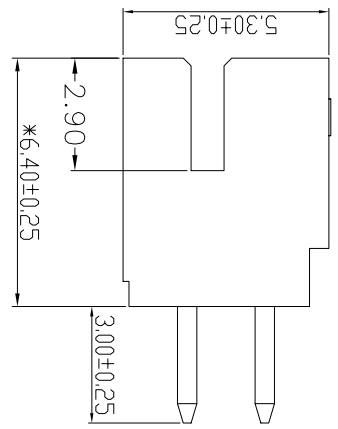


REV. A	ECN NO.	DESCRIPTION	DATE
		變遷料号	16/11/22
		苏亮	

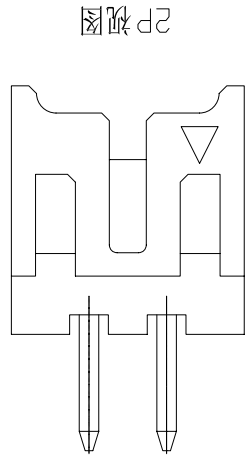
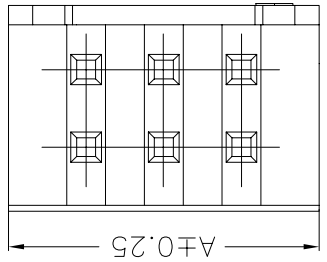
DIM	TOL	X.XX	0.10	X.XXX
DIM	TOL	X.XX	0.15	X.XXX
X.	/	X.X°	0.25	X.X°
X.	/	X.	/	X.
DIM	TOL	X.	/	X.



Recommended P.C.B Layout(Top Side)  
P.C.B Thickness = 1.00~1.60mm  
(Tolerance=±0.05)



PIN 0.5X0.5



REV. A/1	SCALE 1:1	UNIT: mm	SHEET 1 OF 1
REV. NO.	DATE	DESIGN: 陈雪峰	CHECK: 杨桦
P/N NO:	A2006WV-2XNP-9T	DRAW NAME: 2.0mm pitch wafer 9T专用	

**CNM** Joint More Precision electronics Co.,Ltd.

PART NO.	A	B
A2006WV-2X2P	6.00	2.00
A2006WV-2X03P	8.00	4.00
A2006WV-2X04P	10.00	6.00
A2006WV-2X05P	12.00	8.00
A2006WV-2X06P	14.00	10.00
A2006WV-2X07P	16.00	12.00
A2006WV-2X08P	18.00	14.00
A2006WV-2X09P	20.00	16.00
A2006WV-2X10P	22.00	18.00
A2006WV-2X11P	24.00	20.00
A2006WV-2X12P	26.00	22.00
A2006WV-2X13P	28.00	24.00
A2006WV-2X14P	30.00	26.00
A2006WV-2X15P	32.00	28.00
A2006WV-2X16P	34.00	30.00
A2006WV-2X17P	36.00	32.00
A2006WV-2X18P	38.00	34.00
A2006WV-2X19P	40.00	36.00
A2006WV-2X20P	42.00	38.00

**SPECIFICATIONS**

- 1) Voltage rating: 250V AC, DC.
- 2) Current rating: 3A AC, DC.
- 3) Withstanding voltage: 800V AC/minute.
- 4) Insulation resistance: 1,000M Ohm min.
- 5) Temperature range: -40°~+105°.
- 6) Contact resistance: Initial value/10m ohm max, after environmental testg /20m ohm max.

**WAFER**

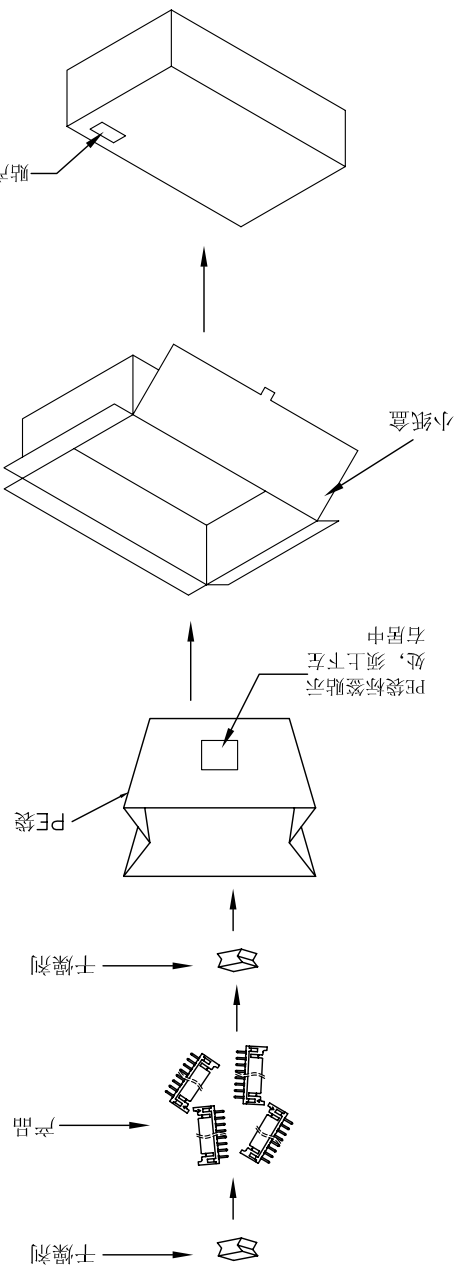
- 1) Part No.: A2006WV-2XNP
- 2) Poles: 4-40
- 3) Material: Contact: Brass, Tin plated
- 4) Qty: 1000pcs/bag

Base: PA9T UL94V-0

REV. A	ECN NO.	DESCRIPTION	变更日期	17/06/08	苏亮
DESIGN	DATE	DESIGN	苏亮		

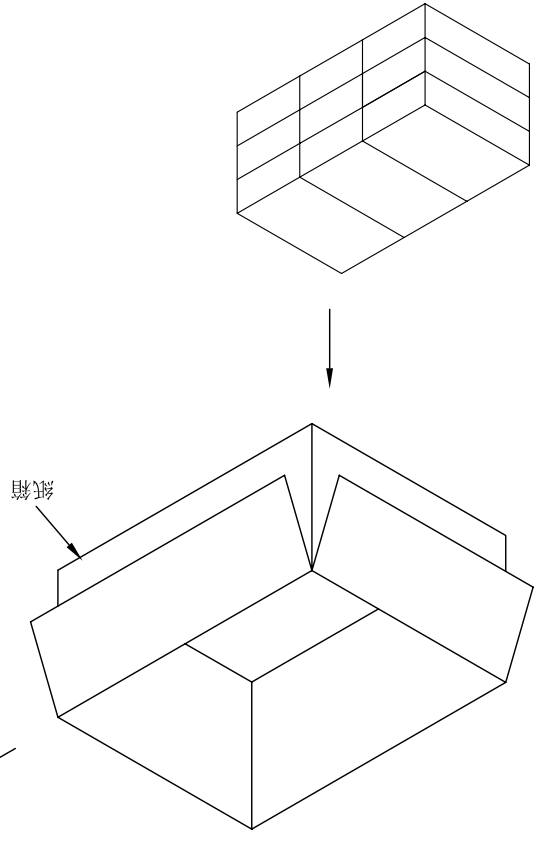




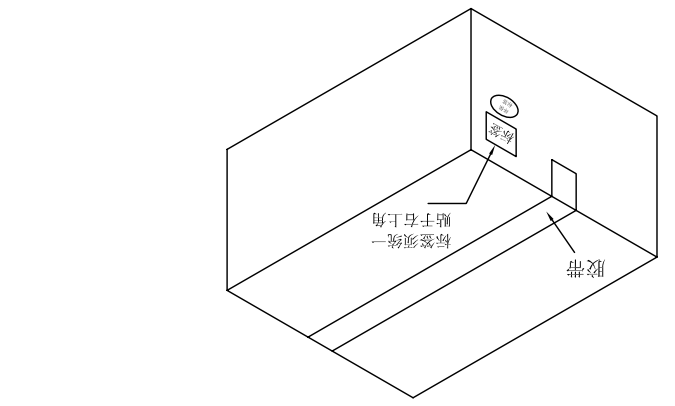


注意:

1. 将产品轻轻放入PE袋并在PE袋底部和口部各放一包干燥剂, 不能将产品端子或PIN针弄变形, 最后将PE袋密封好后在PE袋外贴1PCS产品标签。
2. 将封好的PE袋装入小纸盒内并扣上小纸盒盖子, 每个小纸盒内只放一袋产品。(小纸盒外右上角需贴1 PCS产品标示)
3. 将装好产品的小纸盒平放入纸箱内, 每层平放3盒, 每箱放3层, 共计9盒, 封好纸箱并在侧面右上角贴1PCS出货标签。
4. 每PE袋放入产品的数量及整箱的数量, 不能多放或少放。PE袋规格: 详见包装列表表(PE袋规格为无孔)  
小纸盒规格: 25\*15\*7CM  
纸箱规格: 18.5\*10.5\*11英寸



产品料号	PE袋规格	PE袋包装数量	纸箱包装数量
A2006W-2X02P	18*24cm	1000	9000
A2006W-2X03P	18*24cm	1000	9000
A2006W-2X04P	18*24cm	1000	9000
A2006W-2X05P	21*26cm	1000	9000
A2006W-2X06P	18*24cm	1000	9000
A2006W-2X07P	18*24cm	1000	9000
A2006W-2X08P	21*26cm	1000	9000
A2006W-2X09P	21*26cm	500	4500
A2006W-2X10P	21*26cm	500	4500
A2006W-2X11P	21*26cm	500	4500
A2006W-2X12P	21*26cm	500	4500
A2006W-2X13P	21*26cm	500	4500
A2006W-2X14P	21*26cm	500	4500
A2006W-2X15P	21*26cm	500	4500
A2006W-2X16P	21*26cm	400	3600
A2006W-2X17P	21*26cm	400	3600
A2006W-2X18P	21*26cm	400	3600
A2006W-2X19P	21*26cm	200	1800
A2006W-2X20P	21*26cm	200	1800



# CNJM Joint More Precision electronics Co., Ltd.

REV. A	SCALE 1:1	UNIT: mm	SHEET: 1 OF 1
REV. A	SCALE 1:1	UNIT: mm	SHEET: 1 OF 1
DESIGN: 陈雪峰	DATE: 2017.06.03	DRAW NAME: PH02.0 180° Water 系列盒袋包装规范	
CHECK: 杨焯		DRAW NO.:	
REVIEW:		P/N NO.:	

DIM	TOL	X.XXX	0.10
DIM	TOL	X.XX	0.15
DIM	TOL	X.X	0.25
DIM	TOL	X.	
DIM	TOL	X.XXX	

REV. A	DESCRIPTION	DATE	DESIGN

## X-ON Electronics

Largest Supplier of Electrical and Electronic Components

*Click to view similar products for [Headers & Wire Housings](#) category:*

*Click to view products by [CNJM](#) manufacturer:*

Other Similar products are found below :

[95000-104TRLF](#) [10135584-644402LF](#) [DF62W-EP2022PCA](#) [95000-106TRLF](#) [DF62W-2022SCA](#) [DF62W-EP2022PC](#) [2203348](#) [DF62W-2022SC](#) [1084018](#) [1029039](#) [1084017](#) [802-10-012-10-002000](#) [1112640](#) [1112639](#) [891-007-9SS-BST1T](#) [000-34000](#) [0008550134](#) [0009482033](#) [0009507031](#) [57102-F02-18ULF](#) [57102-S06-03LF](#) [57202-S52-04LF](#) [PCN6-15S-2.5E](#) [0039019024](#) [58102-G61-06LF](#) [582553-1](#) [0009485154](#) [0009508121](#) [0022285053](#) [0050291907](#) [018731A](#) [LY20-4P-DT1-P1E-BR](#) [02.125.8002.8](#) [60101931](#) [60598-1 \(Cut Strip\)](#) [M1625-3R/100](#) [61062-3](#) [61082-181009](#) [CSU011177004](#) [636-1427](#) [638009-1](#) [641938-9](#) [641991-4](#) [644168-1](#) [644827-2](#) [647662-1](#) [65039-019ELF](#) [65692-001LF](#) [65781-018](#) [65781-047](#)