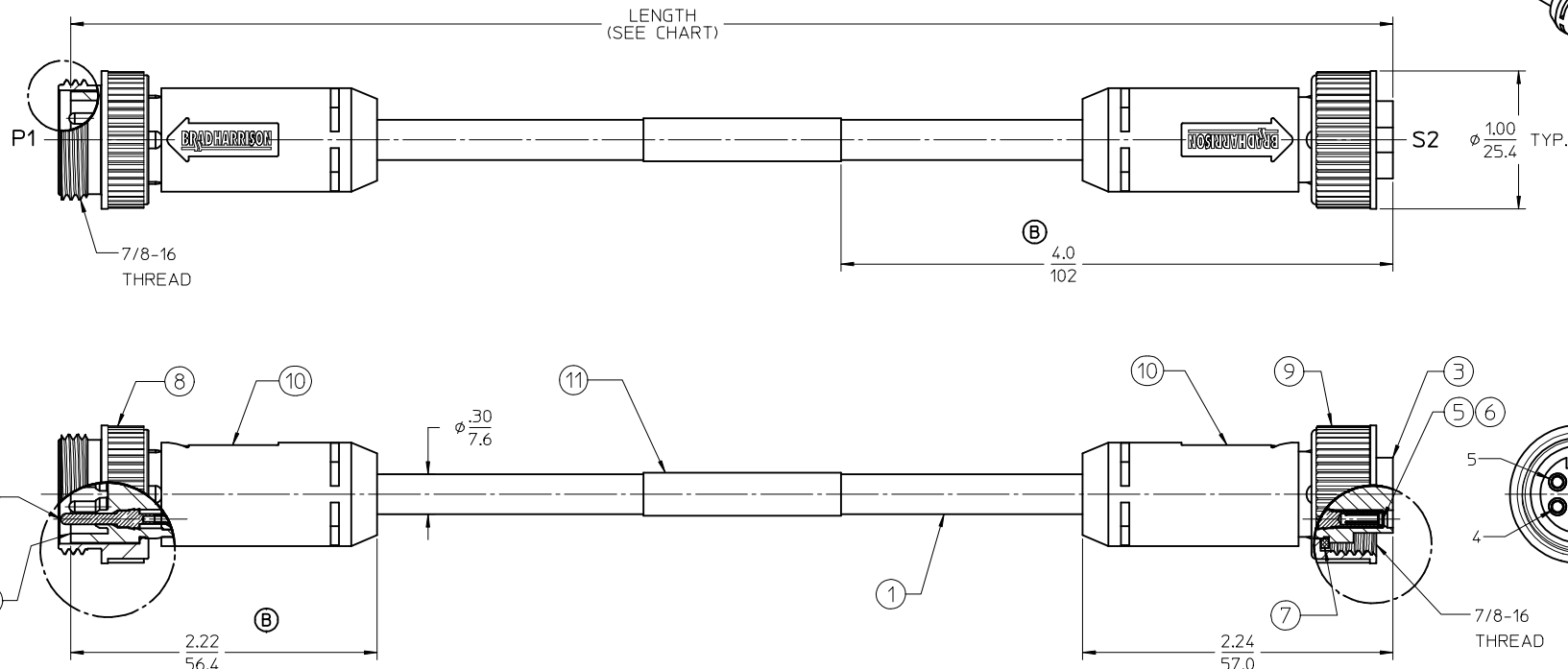
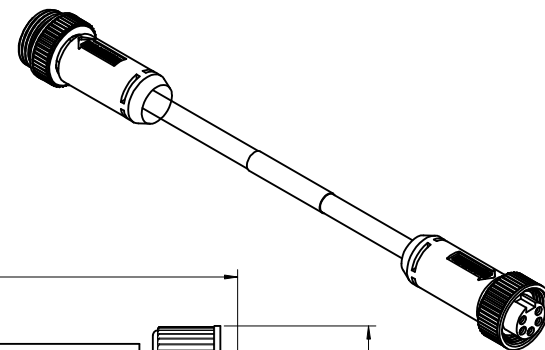


PART NUMBER	ENGINEERING NO.	LENGTH
1300250502	DNDF11A-M010	3' 3" +2.19 - 0 [1.0M +55.6 - 0]
1300250504	DNDF11A-M030	9' 10" +3.50 - 0 [3.0M +88.9 - 0]
1300250508	DNDF11A-M050	16' 5" +6.50 - 0 [5.0M +165.1 - 0]

Ⓑ PART NO. LEGEND

DNDF11A-M010

FINISHED LENGTH
M005= 0.5 METER
M010= 1 METER
M100= 10 METERS



NOTES:

1. MATERIAL: SEE TABLE
2. FINISHES: SEE TABLE
- Ⓑ 3. ELECTRICAL SPECIFICATIONS
VOLTAGE RATING: 300V
CURRENT RATING: 3 AMPS
4. PROTECTION: IP67 (WHEN MATED)
5. TEMP RATING: -20°C TO +70°C
- Ⓑ 6. DIMS SHOWN ARE FOR REFERENCE ONLY
UNLESS NOTED OTHERWISE

P1		S2	
1	DRAIN	1	
2	RED +V	2	
3	BLACK -V	3	
4	WHITE CAN H	4	
5	BLUE CAN L	5	

WIRING DIAGRAM

ITEM	DESCRIPTION	MATERIAL	FINISH
11	LABEL	VINYL	BLACK/YELLOW
10	OVERMOLDS	PVC	GRAY
9	COUPLING NUT, FEMALE THREAD	ZINC DIE CAST	BLACK
8	COUPLING NUT, MALE THREAD	ZINC DIE CAST	BLACK
7	FRICTION RING	NYLON	WHITE
6	CONTACT SOCKET, 22 AWG	BRASS	GOLD PLATED
5	SOCKET SLEEVE	ST. STEEL	
4	CONTACT PIN, 22 AWG	BRASS	GOLD PLATED
3	INSERT, FEMALE, 5 POLE	PVC	GRAY
2	INSERT, MALE, 5 POLE	PVC	GRAY
1	CABLE - THIN, DEV-NET, DROP, HI-FLEX, 4/22	TPE JACKET	GRAY

ADD P/N LEGEND, REV NOTES EC NO: IPG2017-0613 DRAWN BY: DRWINRSTONE 2016/12/19 CHKD BY: ZIEL INSK I 2016/12/22 APPR: BWOODMAN 2017/02/04	QUALITY SYMBOLS ▽=0 ▽=0	GENERAL TOLERANCES (UNLESS SPECIFIED)		DIMENSION STYLE IN/MM	SCALE 1.5:1	DESIGN UNITS INCH	THIRD ANGLE PROJECTION
		mm INCH	DRAWN BY: RSTONE DATE: 2016/12/19	TITLE MINI-CHANGE 5 POLE M/F, DEVICE-NET DROP CABLE THIN HI-FLEX			
		4 PLACES ± --- ± --- 3 PLACES ± --- ± --- 2 PLACES ± --- ± --- 1 PLACE ± --- ± ---	CHECKED BY: B WOODMAN DATE: 2009/07/03	MOLEX INCORPORATED			
		ANGULAR ± ---°	APPROVED BY:	MATERIAL NO. SEE CHART	DOCUMENT NO. SD-130025-020	SHEET NO. 1 OF 1	
DRAFT WHERE APPLICABLE MUST REMAIN WITHIN DIMENSIONS		THIS DRAWING CONTAINS INFORMATION THAT IS PROPRIETARY TO MOLEX INCORPORATED AND SHOULD NOT BE USED WITHOUT WRITTEN PERMISSION					

X-ON Electronics

Largest Supplier of Electrical and Electronic Components

Click to view similar products for [Sensor Cables / Actuator Cables](#) category:

Click to view products by [Molex](#) manufacturer:

Other Similar products are found below :

[1300070444](#) [43-10984](#) [M83513/19-F01CP](#) [704000D02F120](#) [MDM15SH001K](#) [MDM25PH003BF222](#) [802027107404-1](#) [885030A09M010](#)
[885030A09M020](#) [1200650174](#) [1200651332](#) [1200651713](#) [1200660171](#) [1200660208](#) [1200660343](#) [1200660804](#) [1200660845](#) [1200660926](#)
[1200660977](#) [1200661173](#) [1200661354](#) [120066-1712](#) [1200720053](#) [1200720099](#) [1200720153](#) [1200720172](#) [1200720217](#) [1200720226](#)
[1200720251](#) [1200720285](#) [1200720296](#) [1200720404](#) [1200730148](#) [1200730378](#) [1200800231](#) [1200860112](#) [1200860121](#) [1200860125](#)
[1200860337](#) [1200860365](#) [1200860420](#) [1200870046](#) [1200870123](#) [1200870248](#) [1200980102](#) [1200660181](#) [1200660183](#) [1200660827](#)
[1200660849](#) [1200661170](#)