

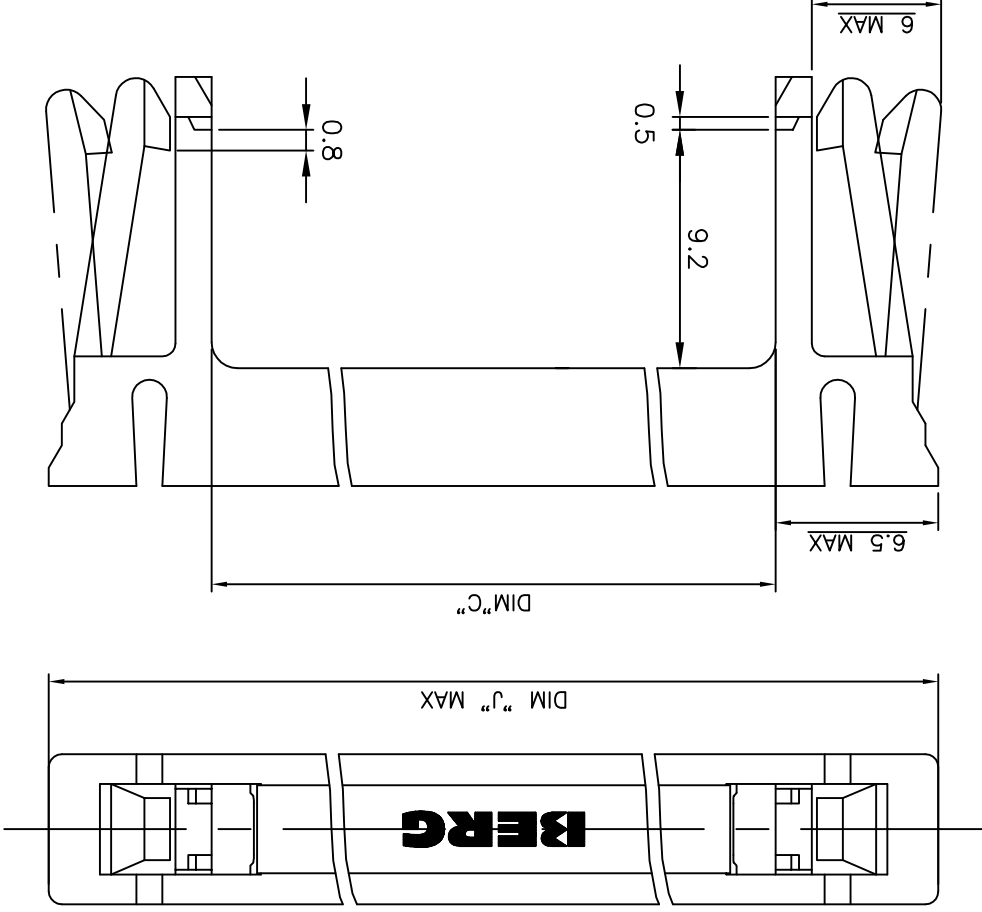
NUMBER OF POSITIONS	SIZE	DIM "C"	DIM "J" MAX
04	2x 2	6.54	20.46
06	2x 3	9.08	23.00
08	2x 4	11.62	25.54
10	2x 5	14.16	28.08
14	2x 7	19.24	33.16
16	2x 8	21.78	35.70
18	2x 9	24.32	38.24
20	2x 10	26.86	40.78
26	2x 13	34.48	48.40
30	2x 15	39.56	53.48
34	2x 17	44.64	58.56
40	2x 20	52.26	66.18
44	2x 22	57.34	71.26
50	2x 25	64.96	78.88
60	2x 30	77.66	91.58
64	2x 32	82.74	96.66

INDICATES THE PRODUCT IS ROHS COMPATIBLE, SEE NOTE 2

PRODUCT NUMBER  
71961-0XXLF

- NOTES:
- MOLDING MATERIAL UNFILLED POLYESTER FLAME RETARDANT PER UL-94-V0 COLOR GREY
  - ROHS COMPATIBLE PRODUCT

- a - LABELLING:
- MEETS PACKAGING SPECS AS PER GS-14-920
- b - LEGAL STATEMENT: SEE GS-22-008
- c - THE PRODUCT IS NOT INTENDED TO BE EXPOSED TO MANUFACTURING SOLDER PROCESS
- d - PRODUCT MEETS WITH EU 2002/EG/95



mat'l. code	SEE NOTE 1	surface	ISO 1302	tolerance	ISO 406 ISO 1101	projection	ISO 1011	product family	EURO QKIE FEM
ltr ecn no	dr	date	tolerances unless otherwise specified			title	ISO 1011	product family	EURO QKIE FEM
E	F20358	gou	02.06.19	angle	.X ±0.3	mm	mm	STRAIN RELIEF	
F	F05-0258	LMU	05.10.11	linear	.XX ±0.15	mm	mm	STRAIN RELIEF	
G	F06-0270	LMU	06.09.12	linear	.XX ±0.15	mm	mm	STRAIN RELIEF	
H	F06-0274	LMU	06.09.25	dr	L.MULIN	05.10.11	scale N/A	STRAIN RELIEF	
				appd	J.M.C	05.10.11	dwg no	71961	
				chr			sheet 1 of 1 size	A3	
				engr	J.COMPAGNON	05.10.11	type	CUSTOMER Drawing	
sheet	revision	index	sheet						

## X-ON Electronics

Largest Supplier of Electrical and Electronic Components

*Click to view similar products for [Headers & Wire Housings](#) category:*

*Click to view products by [Amphenol](#) manufacturer:*

Other Similar products are found below :

[95000-104TRLF](#) [10135584-644402LF](#) [DF62W-EP2022PCA](#) [95000-106TRLF](#) [DF62W-2022SCA](#) [DF62W-EP2022PC](#) [2203348](#) [DF62W-2022SC](#) [1084018](#) [1029039](#) [1084017](#) [802-10-012-10-002000](#) [1112640](#) [1112639](#) [000-34000](#) [0009482033](#) [0009507031](#) [57102-S06-03LF](#) [57202-S52-04LF](#) [PCN6-15S-2.5E](#) [0039019024](#) [58102-G61-06LF](#) [582553-1](#) [0009485154](#) [0009508121](#) [0022285053](#) [0050291907](#) [018731A](#) [LY20-4P-DT1-P1E-BR](#) [02.125.8002.8](#) [60101931](#) [60598-1 \(Cut Strip\)](#) [M1625-3R/100](#) [61062-3](#) [61082-181009](#) [636-1427](#) [638009-1](#) [641938-9](#) [641991-4](#) [644168-1](#) [647662-1](#) [65039-019ELF](#) [65817-002LF](#) [65817-015LF](#) [65863-015LF](#) [66207-023LF](#) [67016-026LF](#) [67046-001LF](#) [67095-007LF](#) [67230-005LF](#)