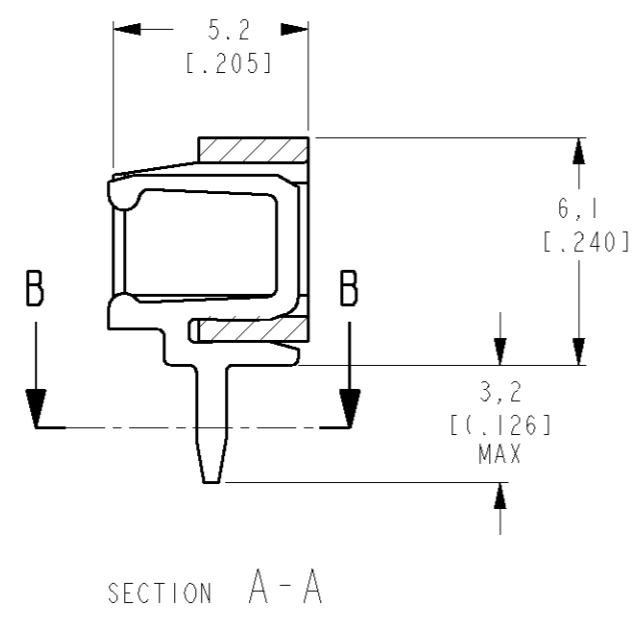
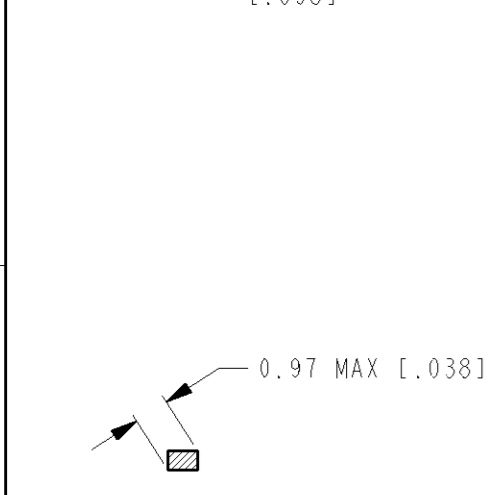
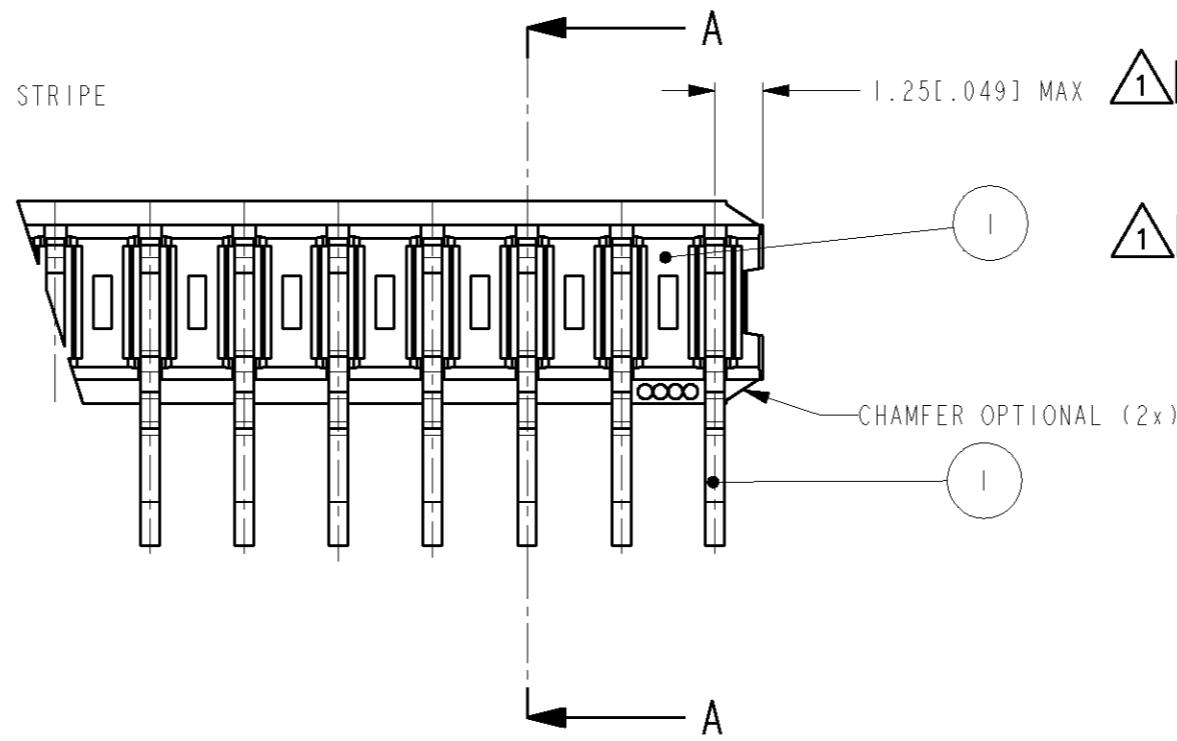
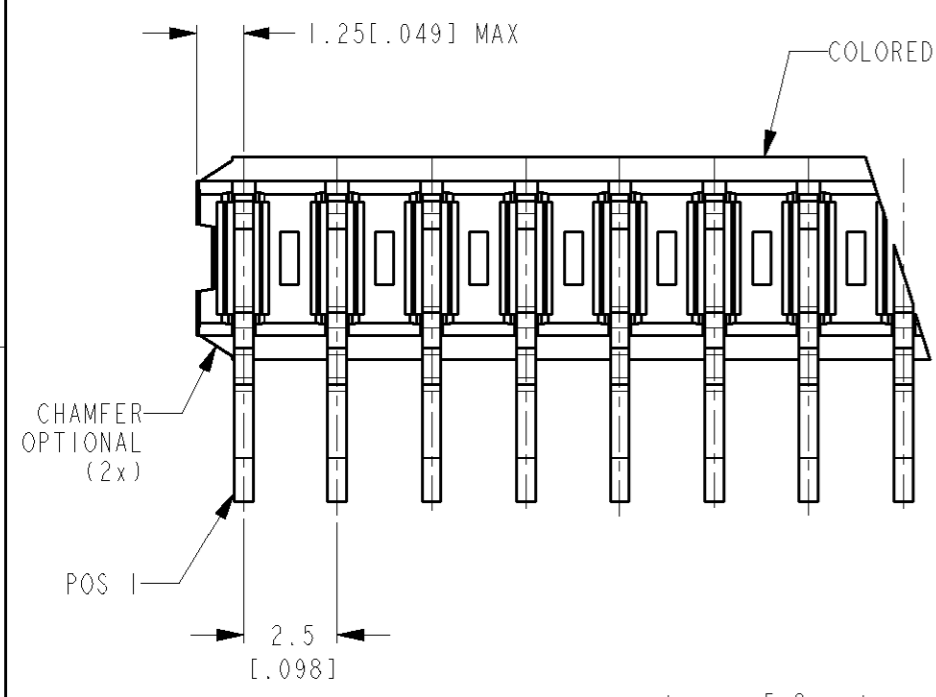
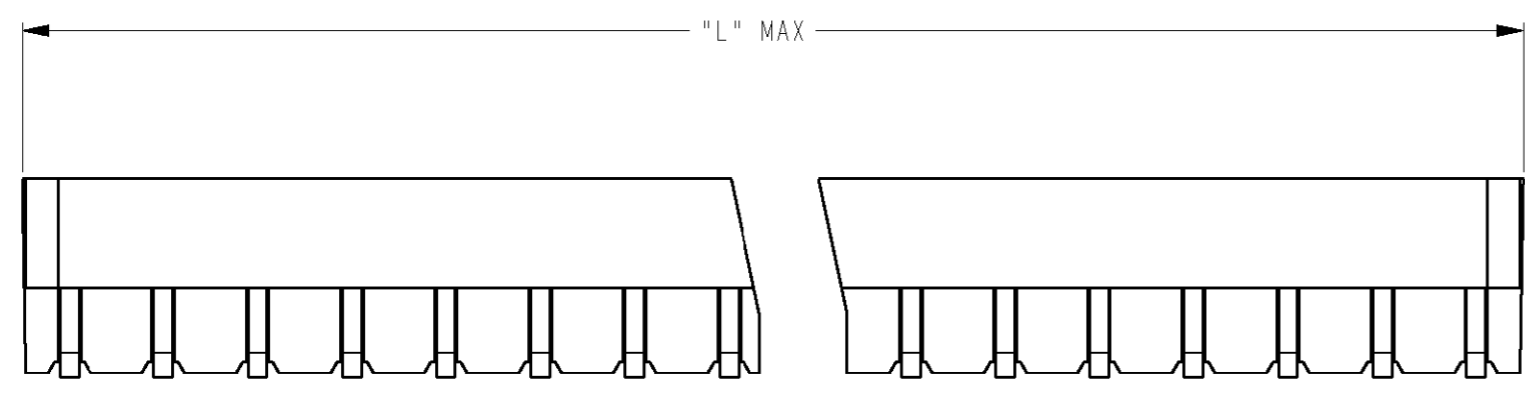


THIS DRAWING IS UNPUBLISHED. RELEASED FOR PUBLICATION
 © COPYRIGHT - BY TYCO ELECTRONICS CORPORATION. ALL RIGHTS RESERVED.

LOC	DIST	REVISIONS			
P	LTR	DESCRIPTION	DATE	DWN	APVD
	A	ECN EH10 0344 05	31marc2005	MG	MG
	A1	REVISED PER ECO-09-026495	28NOV09	KK	AEG



1 OBSOLETE

1 OBSOLETE

1 OBSOLETE

1 OBSOLETE

	NUMBER OF POSITIONS	L MAX.	
		M.M.	INCHES
5161800 -3	3	7,5	.296
5161800 -4	4	10,0	.394
5161800 -5	5	12,5	.493
5161800 -6	6	15,0	.591
5161800 -7	7	17,5	.690
5161800 -8	8	20,0	.788
5161800 -9	9	22,5	.886
1- 5161800 -0	10	25,0	.985
1- 5161800 -1	11	27,5	1.083
1- 5161800 -2	12	30,0	1.182
1- 5161800 -3	13	32,5	1.280
1- 5161800 -4	14	35,0	1.378
1- 5161800 -5	15	37,5	1.477
1- 5161800 -6	16	40,0	1.575
1- 5161800 -7	17	42,5	1.674
1- 5161800 -8	18	45,0	1.772
1- 5161800 -9	19	47,5	1.871
2- 5161800 -0	20	50,0	1.969

1 OBSOLETE PARTS: OBSOLETE CIS STREAMLINING PER D.RENAUD/D.SINISI

ITEM NO.	DESCRIPTION	MATERIAL	FINISH	QUANTITY
2	CONTACT	PHOSPHORBRONZE	TIN OVER NICKEL	SEE TABLE
1	HOUSING	PBT, 20% GF	GREEN	1

DIMENSIONS:	TOLERANCES UNLESS OTHERWISE SPECIFIED:
mm	
0 PLC	±
1 PLC	±
2 PLC	±
3 PLC	±
4 PLC	±
ANGLES	±
MATERIAL	FINISH

THIS DRAWING IS A CONTROLLED DOCUMENT FOR TYCO ELECTRONICS CORPORATION IT IS SUBJECT TO CHANGE AND THE CONTROLLING ENGINEERING ORGANIZATION SHOULD BE CONTACTED FOR THE LATEST REVISION.

DWN 31 mar 05
M.Gosselink
 CHR 31 mar 05
M.Gosselink
 APVD -
 PRODUCT SPEC 108-19027
 APPLICATION SPEC -
 WEIGHT -

tyco Electronics TYCO ELECTRONICS NEDERLAND B.V.
 's-HERTOGENBOSCH, THE NETHERLANDS

NAME 3-20 POS FEMALE BOARD TO BOARD CONNECTOR ASSEMBLY FOR MINI-MATCH INTERCONNECTION SYSTEM, PITCH 2.5 MM

SIZE A3 CAGE CODE 00779 DRAWING NO C-5161800 RESTRICTED TO -

CUSTOMER DRAWING SCALE - SHEET OF REV **A1**

X-ON Electronics

Largest Supplier of Electrical and Electronic Components

Click to view similar products for [Board to Board & Mezzanine Connectors](#) category:

Click to view products by [TE Connectivity](#) manufacturer:

Other Similar products are found below :

[10135583-642402LF](#) [89885-310LF](#) [589158040000018](#) [6-1393048-0](#) [68683-613](#) [MDF7-12DP-2.54DSA](#) [MDF7-18P-2.54DSA\(01\)](#) [MDF7-20DP-2.54DSA](#) [MDF7-26D-2.54DSA\(55\)](#) [MDF7-3P-2.54DSA\(01\)](#) [MDF7B-3P-2.54DSA\(55\)](#) [MDF7C-11P-2.54DSA\(55\)](#) [MDF7C-18P-2.54DSA\(55\)](#) [MDF7C-5P-2.54DSA\(01\)](#) [MDF7P-5P-2.54DSA\(55\)](#) [75234-0516](#) [FCN-230C068-11](#) [FCN-268F012-G/BD](#) [FCN-268F036-G/BD](#) [FCN-268M012-G/0D](#) [FCN-268M024-G/1D](#) [FCN-360C008-C](#) [FCN-360C040-C](#) [FCN-723J004/1](#) [MIS-048-01-F-D-DP-K](#) [832-10-034-10-001000](#) [93696-325LF](#) [11828-1FA](#) [AXK630345P](#) [18097-0013](#) [ICA-328STT](#) [2007042-2](#) [304400-2](#) [FCN-214Q030-G/0](#) [FCN-215Q040-G/0](#) [FCN-230C068-ESA](#) [FCN-234P048-G/0](#) [FCN-235D050-G/C](#) [FCN-360A3](#) [FCN-360C040-B](#) [210-93-314-41-105000](#) [2-22603-0](#) [379-064-521-202](#) [MDF7-12P-2.54DSA\(01\)](#) [MDF7-16P-2.54DS\(56\)](#) [MDF7-40DP-2.54DSA\(55\)](#) [MDF7-8P-2.54DSA\(55\)](#) [MDF7B-16P-2.54DSA\(55\)](#) [AXG720047](#) [5031084030](#)