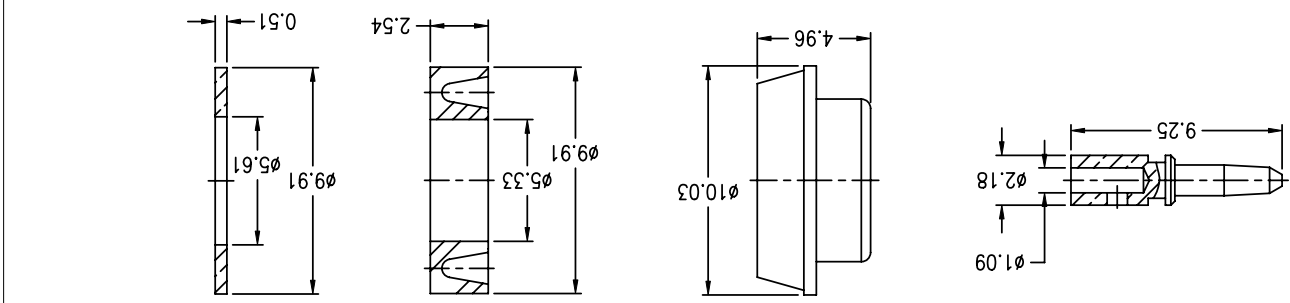
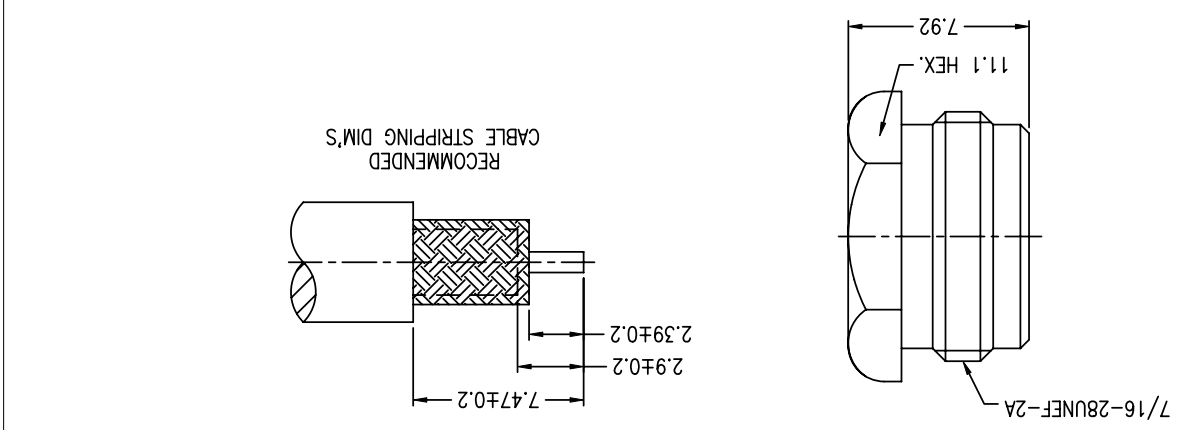
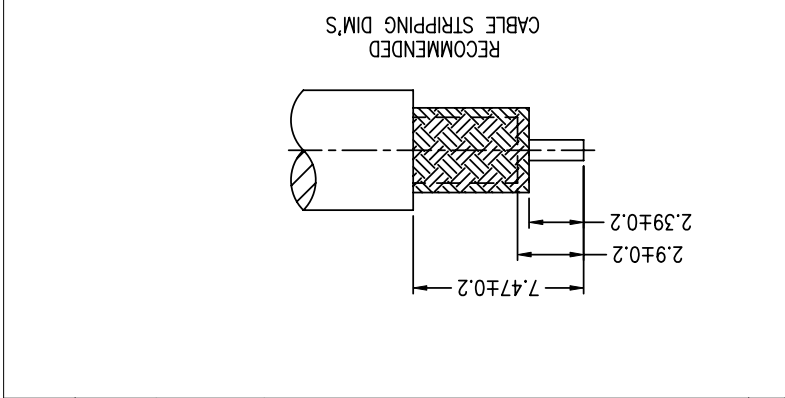


THIRD ANGLE PROJ.

REV	DESCRIPTION	DATE	ECO	APPR	RIGHER	MARK
A2	SEE SHEET 1	30-Oct-02	--	--	--	MARK
B	SEE SHEET 1	28-Sep-06	--	--	--	MARK
AJ	REDRAWN TO UPDATE FORMAT	24-Dec-08	47242	SH		
AK	SEE SHEET 1	12-Jun-09	47695	SH		
AL	STAMP "AMPHENOL" WAS "74868"RD-DM11120601R3		48843			



CUSTOMER OUTLINE DRAWING

ALL OTHER SHEETS ARE FOR INTERNAL USE ONLY

DRAWN		ENGINEER		APPROVED		GAD FILE		FINISH	
R.MAO		GEEFFERY		D.HU		F:\DWG\CMPD\31\202-ALSZ		UNLESS OTHERWISE SPECIFIED, DIMENSIONS ARE IN METRIC AND TOLERANCES ARE:	
DATE		DATE		DATE		DATE		±0.1mm	
08-Feb-12		28-Sep-06		08-Feb-12		08-Feb-12		±0.1mm	
TITLE		SCALE: 3/1		SHEET		CODE ID		6 - 30mm	
BNC PLUG UG-88C/U		142/U, 141/U		2 OF 2		74868		30 - 120mm	
REV		REV		REV		REV		±0.5mm	
AL		AL		AL		AL		±1°	
PART NO.		PART NO.		PART NO.		PART NO.		NOTICE - These drawings, specifications, or other data (1) are, and remain the	
31-202		31-202		31-202		31-202		property of Amphenol Corp. (2) must be returned upon request; and (3) are	
DRAWING NO.		DRAWING NO.		DRAWING NO.		DRAWING NO.		confidential and not to be disclosed to any person other than those to whom they	
31-202		31-202		31-202		31-202		are given by Amphenol Corp. The furnishing of these drawings, specifications, or	
DANBURY CT USA, TAINAN TAIWAN, SHENZHEN CHINA		DANBURY CT USA, TAINAN TAIWAN, SHENZHEN CHINA		DANBURY CT USA, TAINAN TAIWAN, SHENZHEN CHINA		DANBURY CT USA, TAINAN TAIWAN, SHENZHEN CHINA		other data by Amphenol Corp., or to any other person for any purpose is	
WWW.AMPHENOLRF.COM		WWW.AMPHENOLRF.COM		WWW.AMPHENOLRF.COM		WWW.AMPHENOLRF.COM		not to be regarded by implication or otherwise in any manner licensing, granting	
AMPHENOL RF		AMPHENOL RF		AMPHENOL RF		AMPHENOL RF		rights or permitting such holder or any other person to manufacture, use or sell any	
								product, process or design, patented or otherwise, that may in any way be related to	
								or disclosed by said drawings, specifications, or other data.	

- NOTES:
- MATERIALS AND FINISHES:
BODY - BRASS, NICKEL PLATING
CONTACT - BRASS, SILVER PLATING
INSULATOR - PTFE, NATURAL
 - ELECTRICAL:
A. IMPEDANCE: 50 OHM
B. FREQUENCY RANGE: DC 0-4 GHz
C. DIELECTRIC WITHSTANDING VOLTAGE: 1500 VRMS, MIN.
 - MECHANICAL:
A. DURABILITY: 500 CYCLES MIN.
B. TEMPERATURE RANGE: -65°C to +165°C
4. WHEN SOLDERING CONTACT TO CABLE, LEAD FREE.

X-ON Electronics

Largest Supplier of Electrical and Electronic Components

Click to view similar products for [RF Connectors / Coaxial Connectors](#) category:

Click to view products by [Amphenol](#) manufacturer:

Other Similar products are found below :

[R125315120](#) [8915-1511-000](#) [89674-0827](#) [5916-1103-603](#) [0106-001-000](#) [6-0001-3](#) [6001-7071-019](#) [6002-7051-003](#) [6002-7551-202](#) [6059674-1](#) [619550-1](#) [630059-000](#) [M39012/25-0021](#) [M39012/79-3008](#) [M39030/3-01N](#) [M39030/3-03N](#) [M3933/25-36N](#) [6500-7071-046](#) [6501-1071-002](#) [M83723/72W2457N](#) [6769](#) [CX050L2AQ](#) [7002-1541-010](#) [7002-1572-002](#) [7003-1572-002](#) [7004-1512-000](#) [7009-1511-004](#) [7010-1511-000](#) [7029-1511-060](#) [7101-1541-010](#) [7101-1571-002](#) [7105-1521-002](#) [7145-1521-002](#) [7209-1511-011](#) [7210-1511-012](#) [7210-1511-015](#) [7210-1511-019](#) [7210-1511-040](#) [7225-1512-050](#) [7242-1511-000](#) [73137-5015](#) [73251-0111](#) [73251-0672](#) [73276-1501](#) [73366-0013](#) [73404-2300](#) [73413-6080](#) [73415-5721](#) [7405-1521-005](#) [7405-1521-802](#)