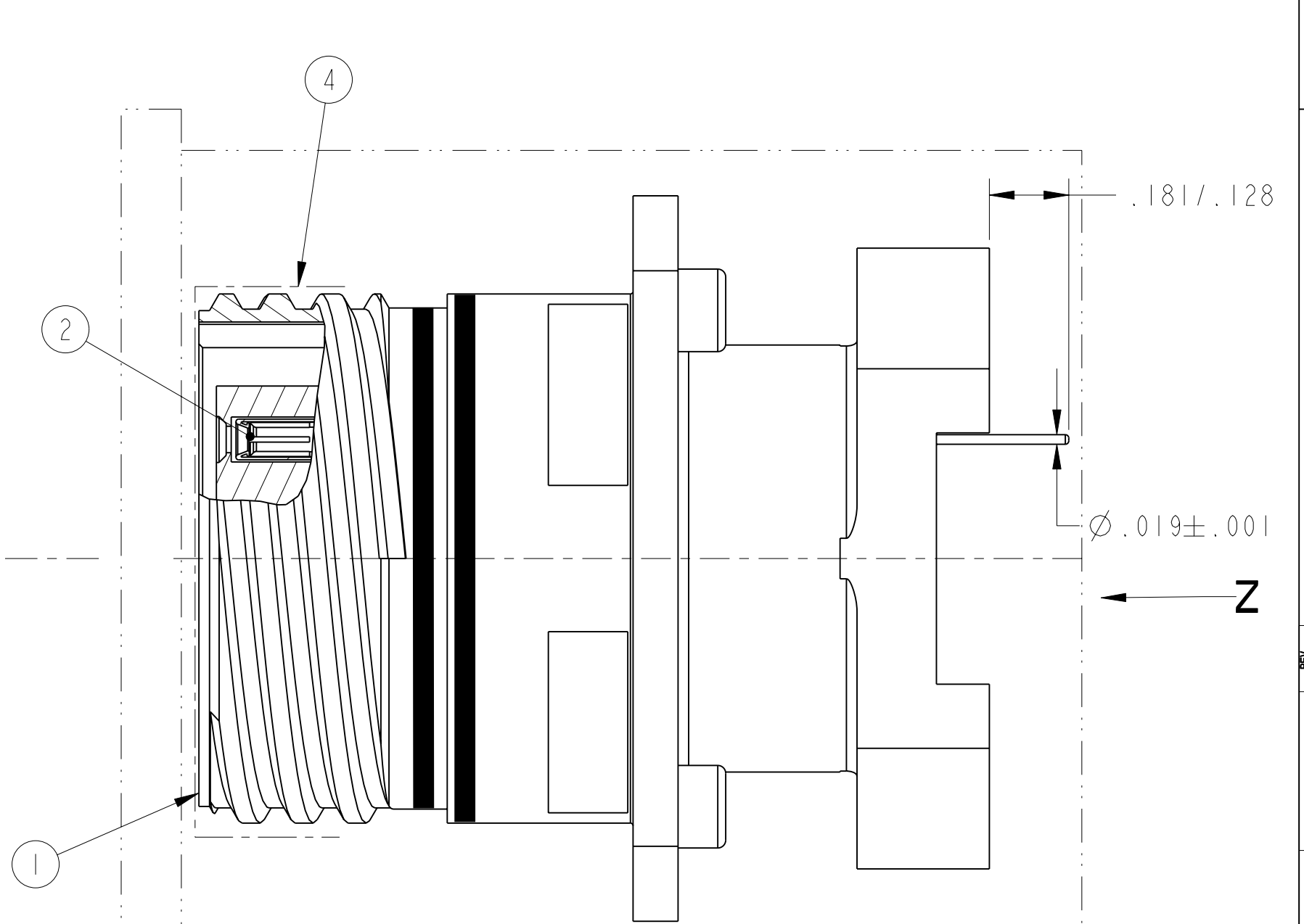
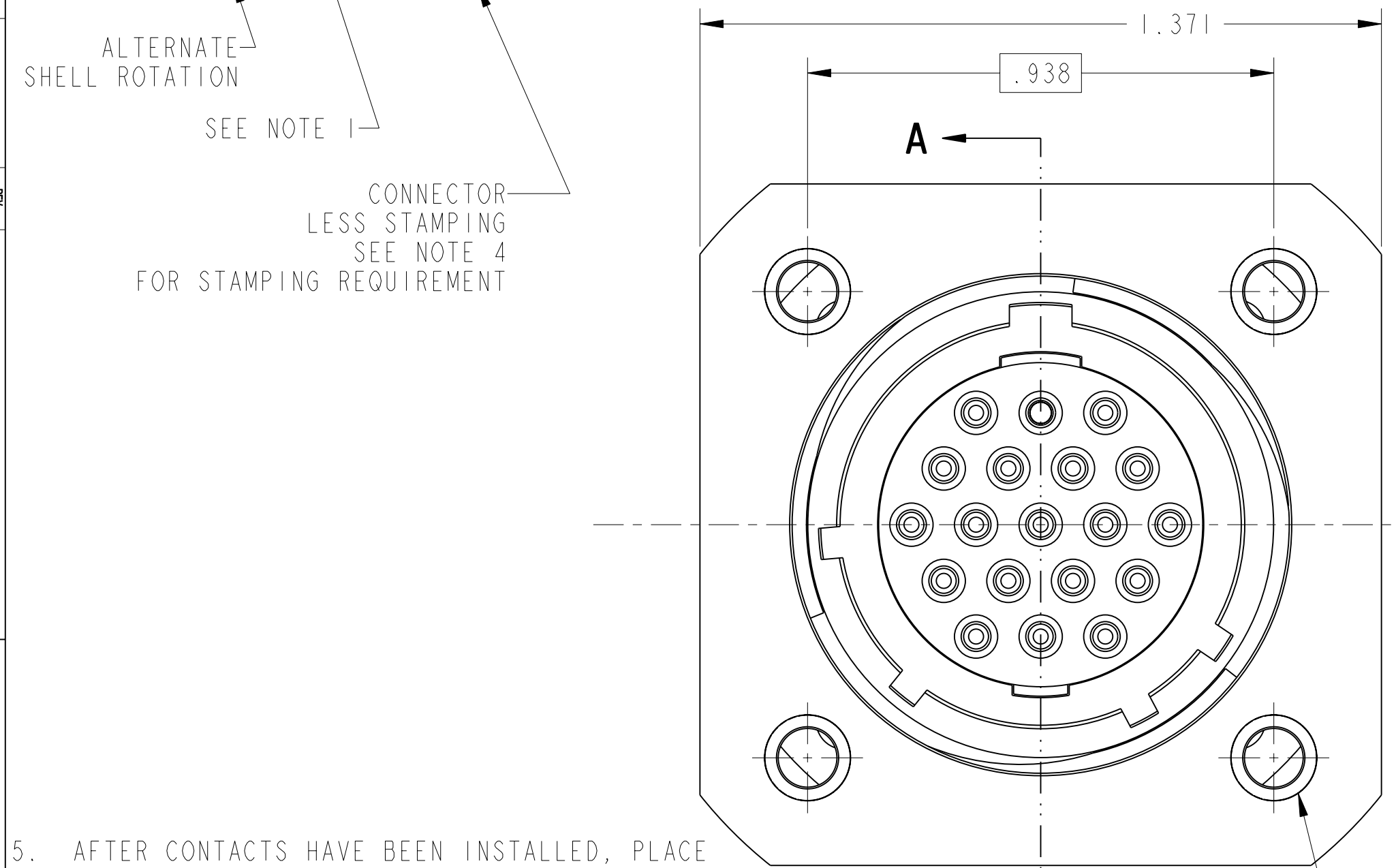


KIT PART NUMBER	KIT TYPE	CONNECTOR PART NUMBER	PCB CONTACT PART NUMBER	QTY.	TV REF NUMBER	CAP/CONTAINER
10-629549-251N	I	88-660634-19S	10-497643-305	19	TVP02RW-15-19S (LC)	10-576238-001 10-576237-001
10-629549-251A		88-660634-19H			TVP02RW-15-19SA(LC)	
10-629549-251B		88-660634-19J			TVP02RW-15-19SB(LC)	
10-629549-251C		88-660634-19L			TVP02RW-15-19SC(LC)	
10-629549-251D		88-660634-19N			TVP02RW-15-19SD(LC)	
10-629549-251E		88-660634-19T			TVP02RW-15-19SE(LC)	

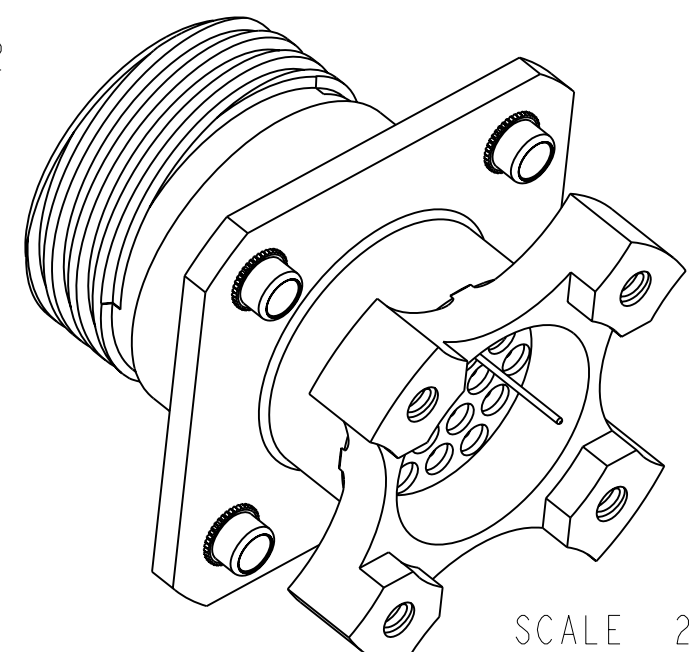
REVISIONS		
LTR	DESCRIPTION	DATE
A	INITIAL RELEASE	

FOR UNIT ILLUSTRATION AND DIMENSIONAL DATA SEE 88-660630/639



- AFTER CONTACTS HAVE BEEN INSTALLED, PLACE CONNECTOR INTO CONTAINER AND CAP. TO INSURE CAP LOCATION APPLY TAPE IF NEEDED. CARE MUST BE TAKEN NOT TO BEND THE CONTACTS.
- STAMP "AMPHENOL", PART NUMBER, LOT NUMBER, AND DATE CODE (9-3895), PER 9-5788
EXAMPLE:
AMPHENOL 10-629549-251B 13001000 1322
- PROCESS SPEC:
9-3895, 9-5788
SPECIAL CONTROL 9-6000-5
PROCESS CONTROL 9-4796
- PACKAGE PER PRODUCTION PROCESS SHEET.
- KIT TYPE I CONTACTS SHIPPED UNASSEMBLED.
KIT TYPE II CONTACTS SHIPPED ASSEMBLED IN CONNECTOR.

CLINCH NUTS
.112-40 UNC 2B
(M45938/7)
4 PLACES



SCALE 2

POS	QTY	PART NUMBER	DESCRIPTION	NOTE
4	1	10-070500-016	PROTECTION CAP	5
3	1	SEE COLUMN	CAP/CONTAINER	5
2		SEE COLUMN	CONTACT	
1	1	SEE COLUMN	CONNECTOR	

UNLESS OTHERWISE SPECIFIED
SPECIFICATIONS
LINEAR DIMENSIONS ARE IN INCHES
TOLERANCES:
.XXX = ±.0005 ANGLES = ±2°
.XXX = ±.010
.XX = ±.03
.X = ±.1
DIM. & TOL. PER ASME Y14.5M;
DRM PER MIL-DTL-31000;
OTHER Amphenol Stds. PER 9-3800
LEGENDS:
= FLAG NOTE CALL OUT REFERENCE ONLY

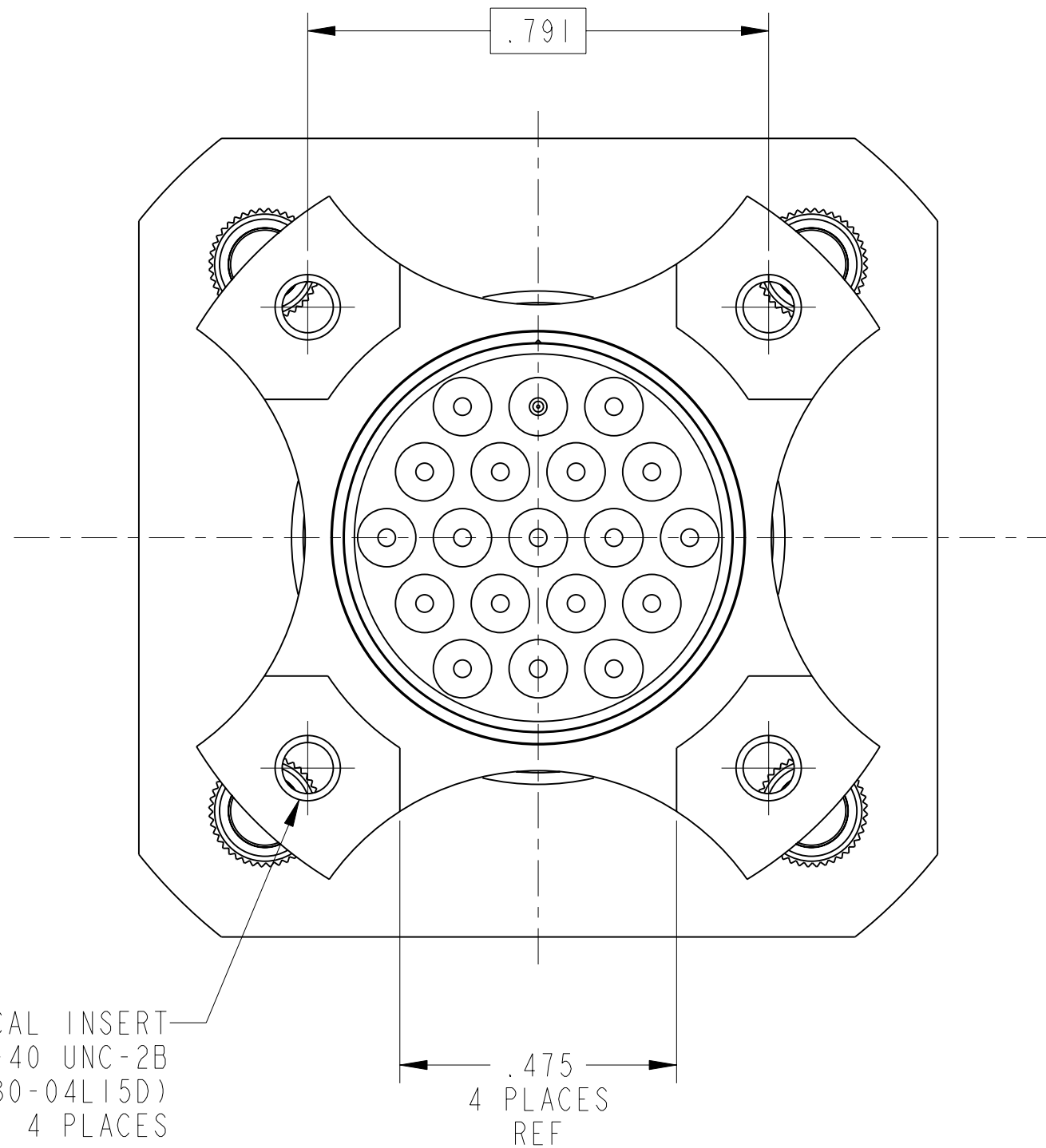
APPROVALS: M. SIMONDS (PREPARED BY), D. FREAR (ENGINEER IN CHARGE), E. SHEPLER (DESIGN MANAGER), MILAERO (DESIGN ACTIVITY GROUP). DATE: 1-JUN-13.

PARTS LIST: AMPHENOL CORPORATION, 40-60 DELAWARE AVENUE, SIDNEY, N.Y. 13838. KIT, CONNECTOR, RCPT., TYPE TVP02RW-15-19S(C), CLINCH NUT/HELICAL INSERT.

SIZE: C, CAGE CODE: 77820, DOCUMENT NO.: 10-629549-251, REV. A. SCALE: 3.0 REF: 88-660630/639 SHEET 1 OF 2

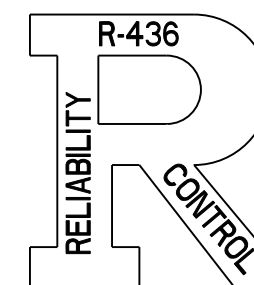
10-629549-251 DOCUMENT NO. SHEET 1 OF 2 REV. A

10-629549-251 DOCUMENT NO. SHEET 1 OF 2 REV. A



NOTES: SEE SHEET 1

THE USE OF THIS DOCUMENT IS UNLIMITED. HOWEVER, DOCUMENTS REFERENCED HEREON MAY CONTAIN LIMITED RIGHTS DATA.



SIZE C	CAGE CODE 77820	DOCUMENT NO. 10-629549-251	REV. A
SCALE: 3.0		REF: 88-660630/639	SHEET 2 OF 2

X-ON Electronics

Largest Supplier of Electrical and Electronic Components

Click to view similar products for [amphenol manufacturer](#):

Other Similar products are found below :

[GTS02R20-15P-025-116](#) [ACC02E28-51S-003-B30-LC](#) [TV06RL-13-35SD-LC](#) [TV06RL-13-35SD](#) [TV06RL-13-98SD-LC](#) [TV06RL-13-98SD](#)
[TVP00RW-23-53AD](#) [100-007-213-002-001](#) [TV06RW-25-90AE](#) [97-3108B16S-5PW-417](#) [PT06J20-24SW](#) [97-3108B16S-4PY-417](#) [97-](#)
[3108B16S-4PX-417](#) [97-3108B16S-5PY-417](#) [97-3108B16S-4PW-417](#) [CS-DSDMDB37MF-025](#) [97-3108B16S-5PZ-417](#) [TV06RW-25-46AE](#)
[TVS07RF-21-16AA](#) [TVS07RF-21-39BA](#) [GTC02R32-17S-025-RDS](#) [GTC06-22-13SW](#) [GTC06-22-13S-025-B30-LC](#) [GTC06-22-13SW-025-](#)
[LC](#) [GTC06-22-13SX-025-B30](#) [GTC06-22-13SZ-025](#) [GTC06-22-13SZ-025-LC](#) [GTC06-22-13S-025-LC](#) [GTC06-22-13SW-025-B30](#)
[GTC06-22-13SW-025-B30-LC](#) [GTC06-22-13SX-025-B30-LC](#) [GTC06-22-13SX-025-LC](#) [GTC06-22-13SY-025-B30](#) [GTC06-22-13SY-025-](#)
[B30-LC](#) [GTC06-22-13SY-025-LC](#) [GTC06-22-13SW-025](#) [GTC06-22-13SX-025](#) [97-3101A20-21P-958](#) [97-3106A18-3PX-958](#) [97-3106A18-](#)
[3PY-958](#) [GTC06-36-7S-LC](#) [GTS08-36-22PZ-025-B30](#) [CTV07RW-11-99AD](#) [PT00SP2241P](#) [GTS01-16-10S-116](#) [TVS07RF-25-43AB](#)
[GTS030A20-4S-025-116](#) [GTS030A20-4SW-025-116](#) [GTS030A20-4SX-025-116](#) [LJT06RT-15-35PB\(023\)](#)