

REV. A	SHEET 1 OF 2	DOCUMENT NO. 10-629549-250
REVISIONS		
LTR	DESCRIPTION	DATE
A	INITIAL	

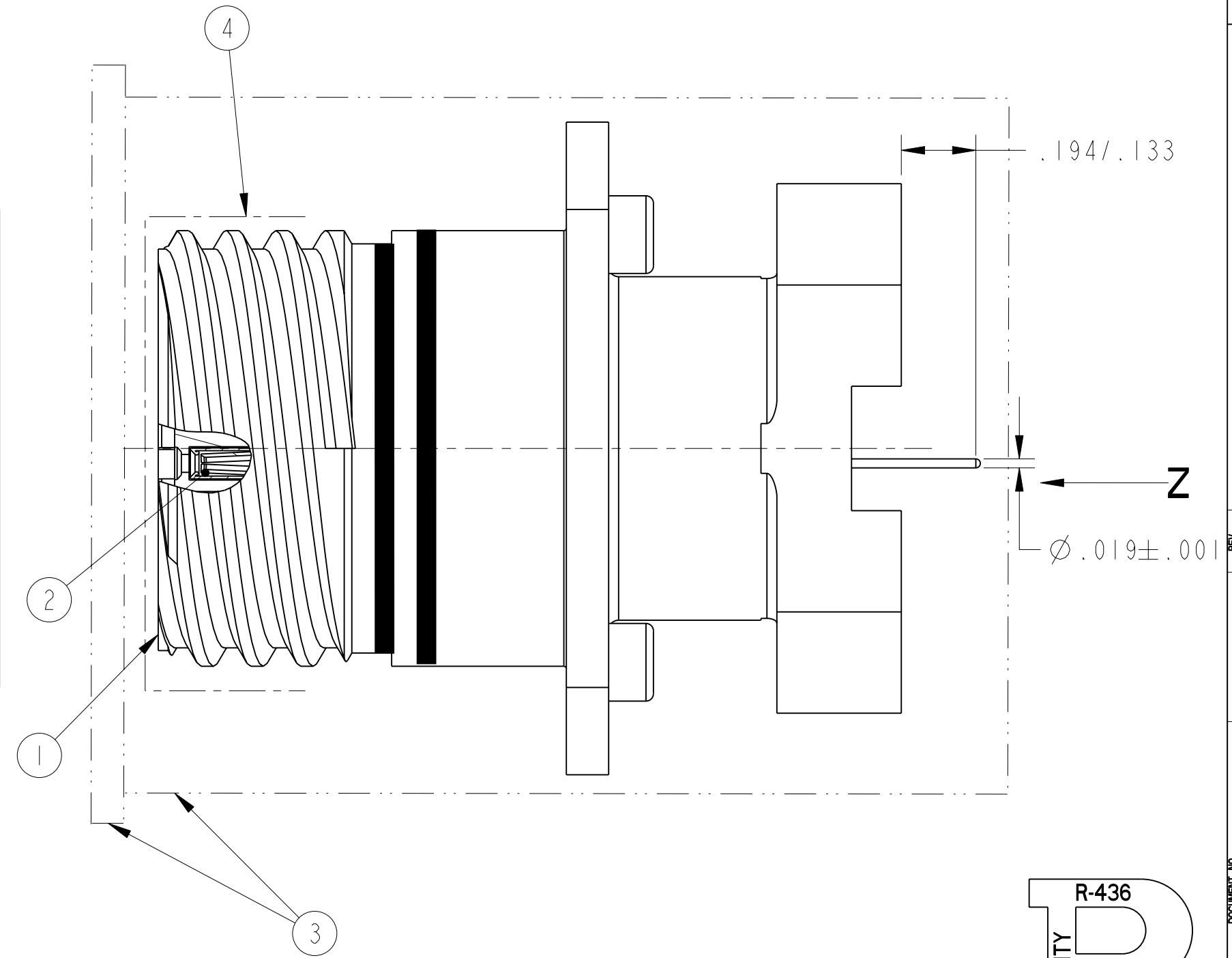
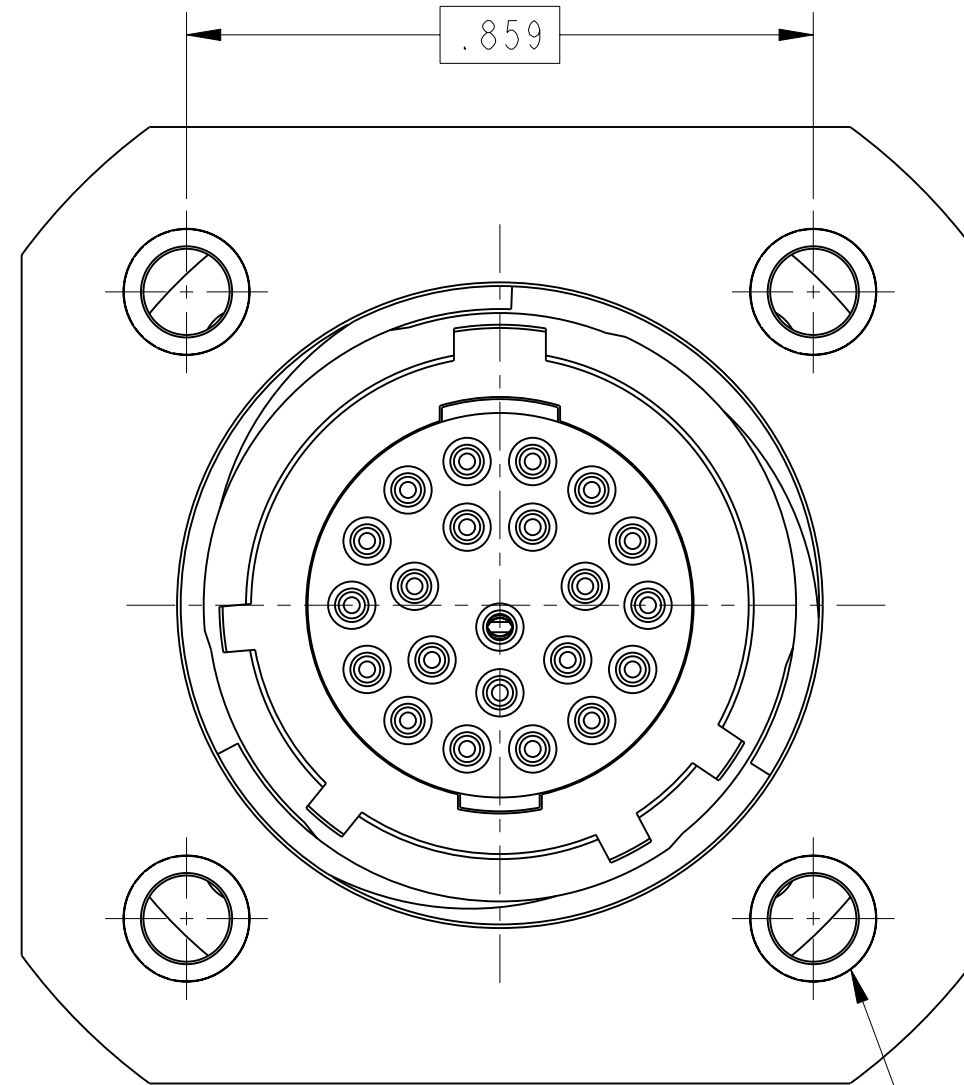
KIT PART NUMBER	KIT TYPE	CONNECTOR PART NUMBER	PCB CONTACT PART NUMBER	QTY.	TV REF NUMBER	CAP/CONTAINER
10-629549-250N	II	88-660633-35S	10-497623-535	22	TVP02RW-13-35S (LC)	10-576238-001
10-629549-250A		88-660633-35H			TVP02RW-13-35SA(LC)	
10-629549-250B		88-660633-35J			TVP02RW-13-35SB(LC)	
10-629549-250C		88-660633-35L			TVP02RW-13-35SC(LC)	
10-629549-250D		88-660633-35N			TVP02RW-13-35SD(LC)	
10-629549-250E		88-660633-35T			TVP02RW-13-35SE(LC)	

FOR UNIT ILLUSTRATION AND DIMENSIONAL DATA SEE 88-660630/639

ALTERNATE SHELL ROTATION

SEE NOTE 1

CONNECTOR LESS STAMPING SEE NOTE 4 FOR STAMPING REQUIREMENT



CLINCH NUTS .112-40 UNC 2B (M45938/7) 4 PLACES

5. AFTER CONTACTS AND CAP HAVE BEEN INSTALLED, PLACE CONNECTOR INTO CONTAINER AND CAP. TO INSURE CAP LOCATION APPLY TAPE IF NEEDED. CARE MUST BE TAKEN NOT TO BEND THE CONTACTS.

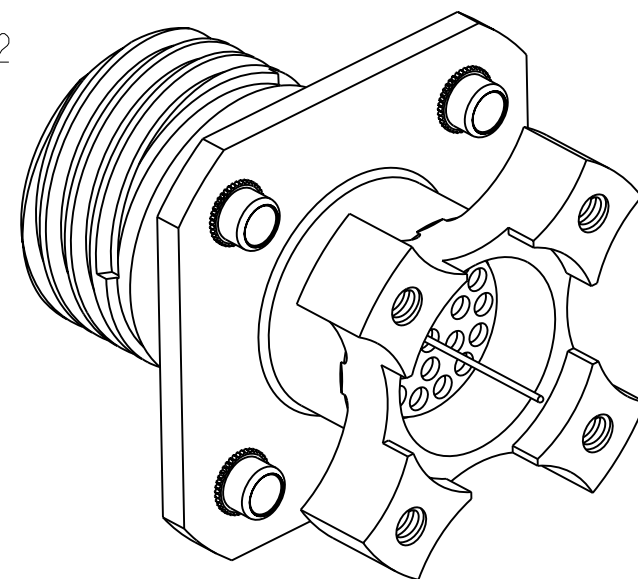
4. STAMP "AMPHENOL", PART NUMBER, LOT NUMBER, AND DATE CODE (9-3895), PER 9-5788  
EXAMPLE:  
AMPHENOL 10-629549-250B 13001000 1322

3. PROCESS SPEC:  
9-3895, 9-5788  
SPECIAL CONTROL 9-6000-5  
PROCESS CONTROL 9-4796

2. PACKAGE PER PRODUCTION PROCESS SHEET.

1. KIT TYPE I CONTACTS SHIPPED UNASSEMBLED. KIT TYPE II CONTACTS SHIPPED ASSEMBLED IN CONNECTOR.

NOTES: THE USE OF THIS DOCUMENT IS UNLIMITED. HOWEVER, DOCUMENTS REFERENCED HEREON MAY CONTAIN LIMITED RIGHTS DATA.

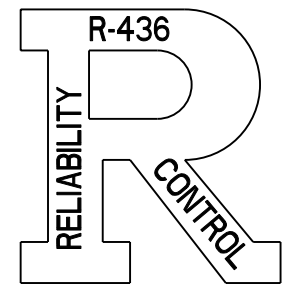


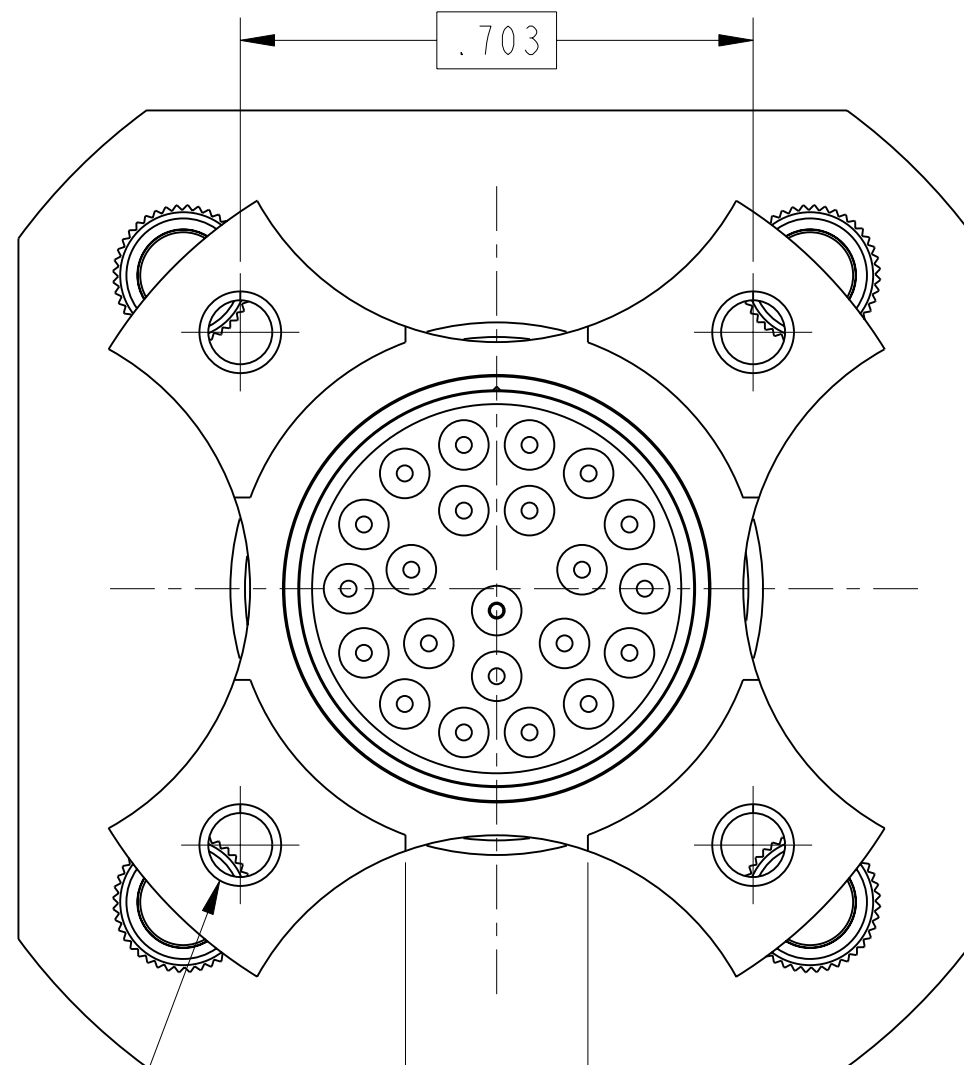
N/A	PRO/ENGINEER INFORMATION
N/A	Pro/e Model Used: 10-629549-141.ASSEM
	Drawing Name: 10-629549-250
	NEXT ASSEMBLY

UNLESS OTHERWISE SPECIFIED	SPECIFICATIONS
LINEAR DIMENSIONS ARE IN INCHES TOLERANCES: .XXXX = ±.0005 ANGLES = ±2° .XXX = ±.010 .XX = ±.03 .X = ±.1	MATERIAL SPEC. N/A
DIM. & TOL. PER ASME Y14.5M; DRM PER MIL-DTL-31000; OTHER Amphenol Stds. PER 9-3800	PROCESS SPEC. SEE NOTE 3
LEGENDS: = FLAG NOTE CALL OUT REFERENCE ONLY	

POS	QTY	PART NUMBER	DESCRIPTION	NOTE
4	1	10-070500-014	PROTECTION CAP	5
3	1	SEE COLUMN	CAP/CONTAINER	5
2		SEE COLUMN	CONTACT	5
1	1	SEE COLUMN	CONNECTOR	

PARTS LIST			
APPROVALS		DATE	
PREPARED BY	M. SIMONDS	17-SEP-13	
ENGINEER IN CHARGE	D. FREAR		
DESIGN MANAGER	E. SHEPLER		
DESIGN ACTIVITY GROUP	MILAERO		
THIRD ANGLE PROJECTION			
SIZE	CAGE CODE	DOCUMENT NO.	REV.
C	77820	10-629549-250	A
SCALE: 3.0		REF: 88-660630/639	SHEET 1 OF 2



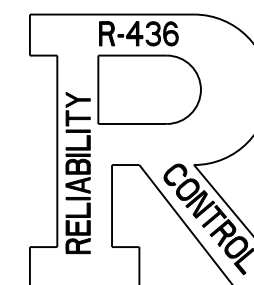


HELICAL INSERT  
 .112-40 UNC-2B  
 (NAS1130-04L15D)  
 4 PLACES

**VIEW AT Z**

NOTES: SEE SHEET 1

THE USE OF THIS DOCUMENT IS UNLIMITED.  
 HOWEVER, DOCUMENTS REFERENCED HEREON  
 MAY CONTAIN LIMITED RIGHTS DATA.



SIZE <b>C</b>	CAGE CODE <b>77820</b>	DOCUMENT NO. <b>10-629549-250</b>	REV. <b>A</b>
SCALE: 3.0		REF: 88-660630/639	SHEET 2 OF 2

## X-ON Electronics

Largest Supplier of Electrical and Electronic Components

*Click to view similar products for [amphenol manufacturer](#):*

Other Similar products are found below :

[GTS02R20-15P-025-116](#) [ACC02E28-51S-003-B30-LC](#) [TV06RL-13-35SD-LC](#) [TV06RL-13-35SD](#) [TV06RL-13-98SD-LC](#) [TV06RL-13-98SD](#)  
[TVP00RW-23-53AD](#) [100-007-213-002-001](#) [TV06RW-25-90AE](#) [97-3108B16S-5PW-417](#) [PT06J20-24SW](#) [97-3108B16S-4PY-417](#) [97-](#)  
[3108B16S-4PX-417](#) [97-3108B16S-5PY-417](#) [97-3108B16S-4PW-417](#) [CS-DSDMDB37MF-025](#) [97-3108B16S-5PZ-417](#) [TV06RW-25-46AE](#)  
[TVS07RF-21-16AA](#) [TVS07RF-21-39BA](#) [GTC02R32-17S-025-RDS](#) [GTC06-22-13SW](#) [GTC06-22-13S-025-B30-LC](#) [GTC06-22-13SW-025-](#)  
[LC](#) [GTC06-22-13SX-025-B30](#) [GTC06-22-13SZ-025](#) [GTC06-22-13SZ-025-LC](#) [GTC06-22-13S-025-LC](#) [GTC06-22-13SW-025-B30](#)  
[GTC06-22-13SW-025-B30-LC](#) [GTC06-22-13SX-025-B30-LC](#) [GTC06-22-13SX-025-LC](#) [GTC06-22-13SY-025-B30](#) [GTC06-22-13SY-025-](#)  
[B30-LC](#) [GTC06-22-13SY-025-LC](#) [GTC06-22-13SW-025](#) [GTC06-22-13SX-025](#) [97-3101A20-21P-958](#) [97-3106A18-3PX-958](#) [97-3106A18-](#)  
[3PY-958](#) [GTC06-36-7S-LC](#) [GTS08-36-22PZ-025-B30](#) [CTV07RW-11-99AD](#) [PT00SP2241P](#) [GTS01-16-10S-116](#) [TVS07RF-25-43AB](#)  
[GTS030A20-4S-025-116](#) [GTS030A20-4SW-025-116](#) [GTS030A20-4SX-025-116](#) [LJT06RT-15-35PB\(023\)](#)