

# Technical Information

No. FO 5485

Edition: 10/2006 - subject to change

Supersedes: original edition

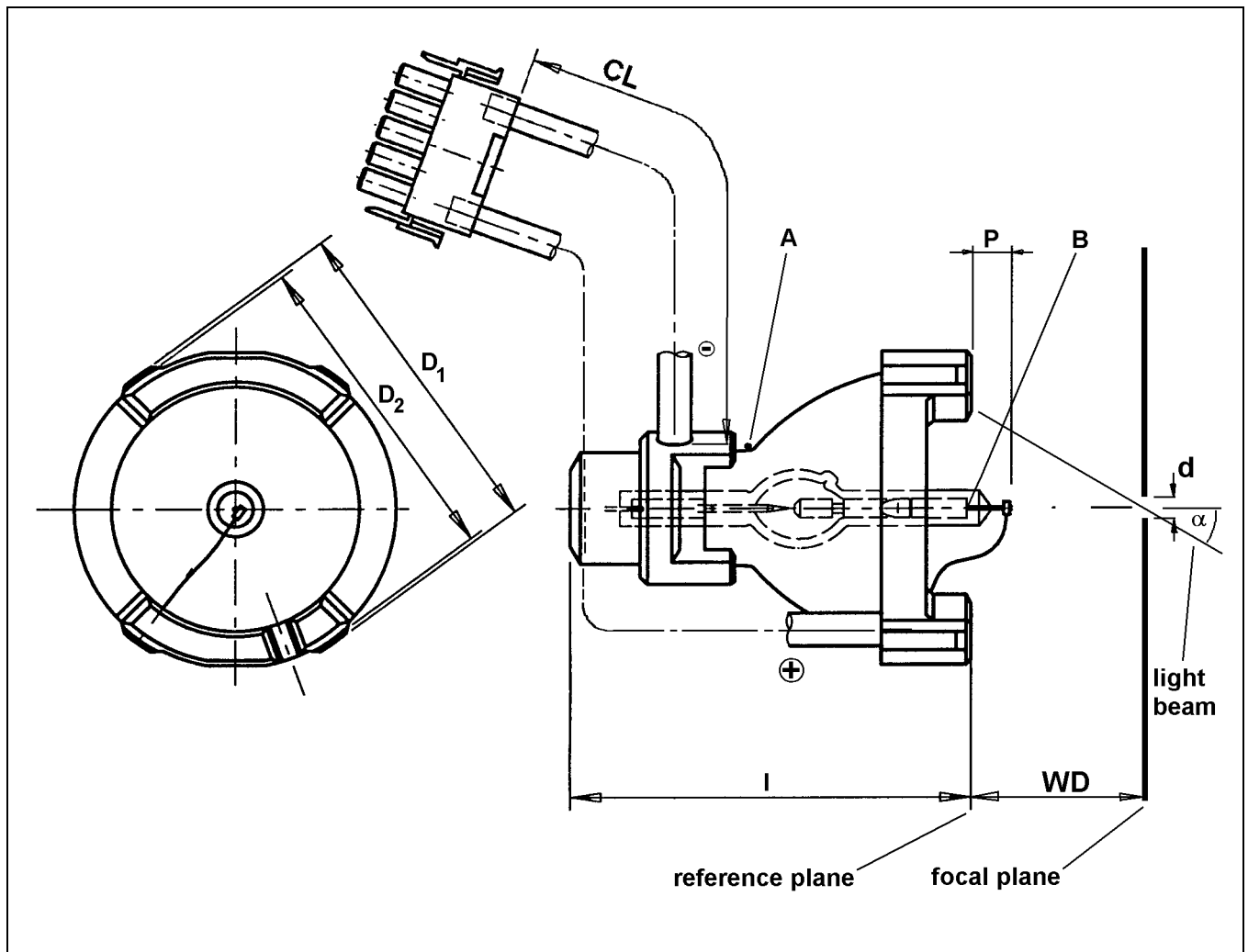
Status: valid

# Xenon Short Arc Reflector Lamp

## XBO<sup>®</sup> R 180W/45C OFR

### ■ Product description

- Xenon discharge lamp for DC operation
- Short arc, high pressure
- Focusing reflector
- Dichroic coating for suppressed IR-output
- For light guides with up to 8 mm diameter
- Cable connection with plug-in contact
- Ozone-free
- Hot re-strikeable



### ■ Technical data

Rated lamp current	A	12
Rated lamp wattage	W	180
Initial voltage range	V	12.8 – 14.8
Ignition voltage (cold/hot)	kV	max. 20 / max. 20
Colour temperature	K	approx. 6000
Colour rendering index	R <sub>a</sub>	> 90

## Technical Information

No. FO 5485

Edition: 10/2006 - subject to change

Supersedes: original edition

Status: valid

## Xenon Short Arc Reflector Lamp

# XBO<sup>®</sup> R 180W/45C OFR

Beam-to-axis angle $\alpha$	deg	max. 22.4
Length l	mm	max. 81.5
Length p	mm	max. 9.0
Reflector diameter $D_1$	mm	max. $\varnothing$ 67.0
Diameter $D_2$	mm	$\varnothing$ 64.0 <sub>-0,3</sub>
Cable length CL	mm	min. 90 on (-) side, min. 120 mm on (+) side
Electrical connectors		Cable with AMP-plug no. 350809-1

### ■ Performance data at rated current

Working distance WD	mm	45
Initial aperture lumens	lm	<ul style="list-style-type: none"><li>• min. 500 at <math>d = \varnothing</math> 3 mm</li><li>• min. 1100 at <math>d = \varnothing</math> 5 mm</li></ul>
Declared service life <sup>1)</sup>	h	500

### ■ Mounting

Mounting		rim mounting; for details see Technical Information No. FO 4913
----------	--	---

### ■ Operation conditions

Burning position		horizontal $\pm$ 20° (p 20)
Temperature at point A	°C	max. 250 allowed; 175 - 200 optimum
Temperature at point B	°C	max. 350 allowed; 200 - 250 optimum
Cooling		Forced cooling required, air flow velocity and distribution to be chosen in such a way as to ensure proper temperatures at points A and B
Current operation range	A	min. 11.75, max. 12.25
Power operation range	W	min. 150, max. 210
Polarity		proper polarity to be observed

XBO<sup>®</sup> R 180 W/45C OFR can be operated either on a standard ballast or on an electronic power supply.

### ■ Additional documentation

- Guidelines for Mounting and Centering of Reflector Discharge Lamps (1); Technical Information No. FO 4913
- Guidelines for Power Supplies and Ignitors for Xenon Short Arc Lamps Photo Optics No. FO GL-3
- Cooling Scheme; Technical Information No. FO 4935

<sup>1)</sup> Operation time after which aperture lumens can decrease to 50% of initial value. Switching cycle 1 hour on, 1 hour off

## X-ON Electronics

Largest Supplier of Electrical and Electronic Components

*Click to view similar products for [Gate Drivers](#) category:*

*Click to view products by [OSRAM](#) manufacturer:*

Other Similar products are found below :

[00028](#) [00053P0231](#) [8967380000](#) [56956](#) [CR7E-30DB-3.96E\(72\)](#) [57.404.7355.5](#) [LT4936](#) [57.904.0755.0](#) [5801-0903](#) [5803-0901](#) [5811-0902](#)  
[5813-0901](#) [58410](#) [00576P0030](#) [00581P0070](#) [5882900001](#) [00103P0020](#) [00600P0005](#) [00-9050-LRPP](#) [00-9090-RDPP](#) [5951900000](#) [01-](#)  
[1003W-10/32-15](#) [LTI LA6E-1S-WH-RC-FN12VXCR1](#) [0131700000](#) [00-2240](#) [LTP70N06](#) [LVP640](#) [0158-624-00](#) [5J0-1000LG-SIL](#) [020017-13](#)  
[LY1D-2-5S-AC120](#) [LY2-0-US-AC120](#) [LY2-US-AC240](#) [LY3-UA-DC24](#) [00-5150](#) [00576P0020](#) [00600P0010](#) [LZNQ2M-US-DC5](#) [LZNQ2-](#)  
[US-DC12](#) [LZP40N10](#) [00-8196-RDPP](#) [00-8274-RDPP](#) [00-8275-RDNP](#) [00-8609-RDPP](#) [00-8722-RDPP](#) [00-8728-WHPP](#) [00-8869-RDPP](#) [00-](#)  
[9051-RDPP](#) [00-9091-LRPP](#) [00-9291-RDPP](#)