

# 233-100-H8 Weld mount hermetic receptacle

## MIL-DTL-38999 Series III type

How To Order Commercial								
Sample Part Number	233-100			-H8	Z1	11-35	P	N
Series / Basic Part No.	Series 23 SuperNine® Hermetic Receptacle							
Connector Style	H8 = Weld Mount							
Finish*	Z1 = CRES, Passivated ZL = CRES, Nickel Finish							
Shell Size - Insert Arrangement*	Per MIL-STD-1560							
Contact Type	P = Pin, Solder Cup		S = Socket, Solder Cup					
	X = Pin, Eyelet		Z = Socket, Eyelet					
	C = Pin, PCB		D = Socket, PCB					
Alternate Key Position*	A, B, C, D, E, N = Normal							

**\*Refer to Section A for complete details**  
Modification codes may be added directly to the end of any valid part number

Dimensions					
Shell Size Code	Shell Size	A Thread	Ø B	Ø C	Ø D
A	9/09	.6250-1P-.3L-TS-2A	.941 (23.9)	.984 (25.0)	.134 (3.4)
			.929 (23.6)	.972 (24.7)	.118 (3.0)
B	11	.7500-1P-.3L-TS-2A	1.063 (27.0)	1.106 (28.1)	.134 (3.4)
			1.051 (27.0)	1.094 (27.8)	.118 (3.0)
C	13	.8750-1P-.3L-TS-2A	1.189 (30.2)	1.232 (31.3)	.134 (3.4)
			1.177 (28.9)	1.220 (31.0)	.118 (3.0)
D	15	1.0000-1P-.3L-TS-2A	1.315 (33.4)	1.358 (34.5)	.134 (3.4)
			1.303 (33.1)	1.346 (34.2)	.118 (3.0)
E	17	1.1875-1P-.3L-TS-2A	1.402 (35.6)	1.445 (36.7)	.134 (3.4)
			1.390 (35.3)	1.433 (36.4)	.118 (3.0)
F	19	1.2500-1P-.3L-TS-2A	1.547 (39.3)	1.591 (40.4)	.134 (3.4)
			1.535 (39.0)	1.579 (40.1)	.118 (3.0)
G	21	1.3750-1P-.3L-TS-2A	1.689 (42.9)	1.732 (44.0)	.134 (3.4)
			1.677 (42.6)	1.720 (43.7)	.118 (3.0)
H	23	1.5000-1P-.3L-TS-2A	1.854 (47.1)	1.898 (48.2)	.165 (4.2)
			1.842 (46.8)	1.886 (47.4)	.149 (3.8)
J	25	1.6250-1P-.3L-TS-2A	1.941 (49.3)	1.984 (50.4)	.165 (4.2)
			1.929 (49.0)	1.972 (50.1)	.149 (3.8)

Contact Size & Dia.	
PRINTED CIRCUIT TAIL CONFIGURATIONS CONTACT STYLE C AND D	
SIZE 12 AND SIZE 16	
.050 ± .015 (1.27 ± 0.38)	
SIZE 22D AND SIZE 20	
Contact Size	Ø P
22D	.011 (0.28)
	.015 (0.38)
20	.024 (0.61)
	.028 (0.71)
16	.0635 (1.61)
	.0615 (1.56)
12	.095 (2.41)
	.093 (2.36)

Hermetic Leak Rate Mod Codes	
Designator	Required Leak Rate
-585A	1 x 10 <sup>-10</sup> cc Helium per second
-585B	1 x 10 <sup>-9</sup> cc Helium per second
-585C	1 x 10 <sup>-8</sup> cc Helium per second

Wire Accommodation	
Contact Size	Wire Gauge
22D	#22 - #28
20	#20 - #24
16	#16 - #20
12	#12 - #14

# SuperNine® Hermetic connectors

## D38999/27 Weld mount hermetic receptacle

### MIL-DTL-38999 Series III QPL

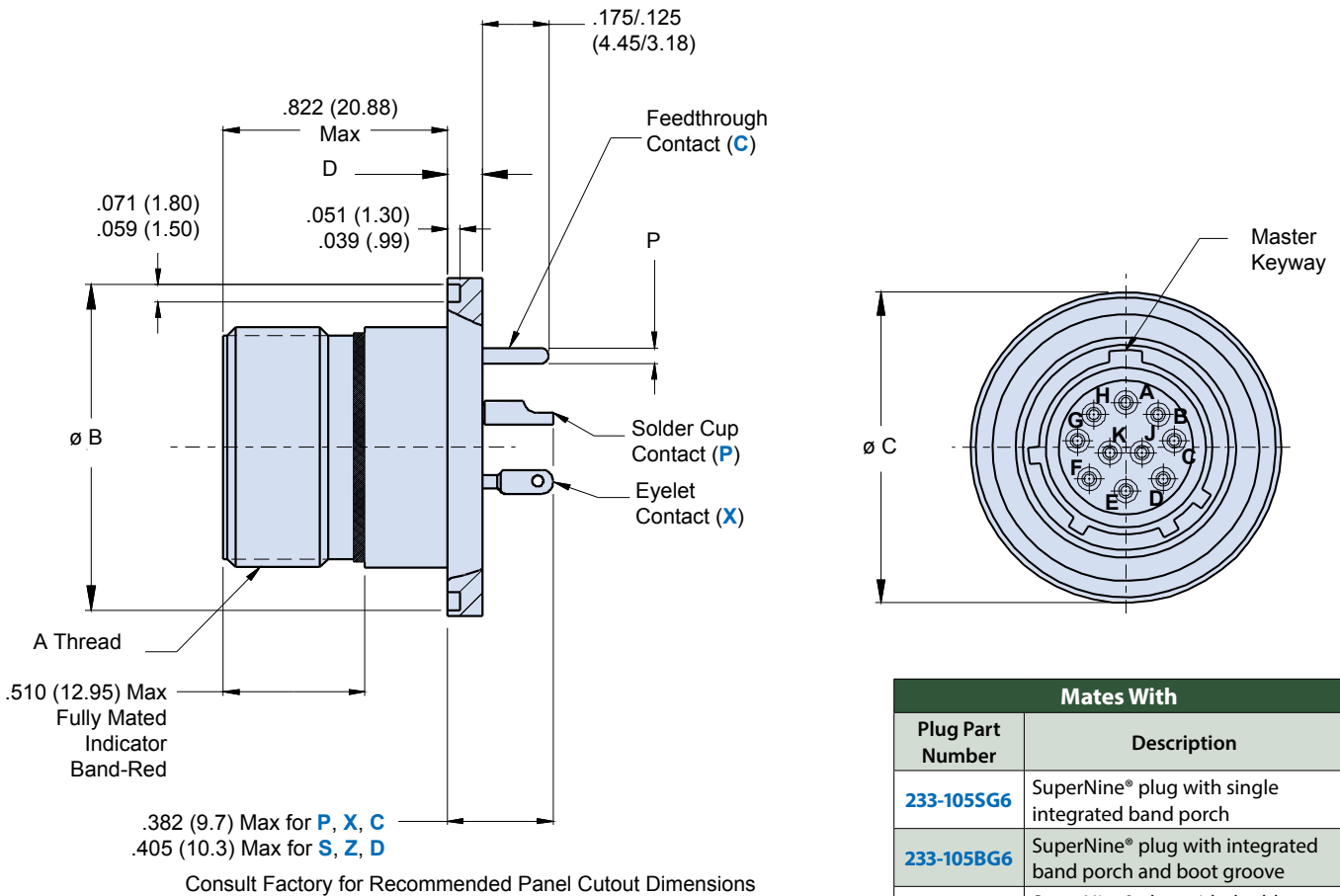


How To Order MS						
Sample Part Number	D38999	/27	Y	B-35	P	N
Series / Basic Part No.	MIL-DTL-D38999 Series III Type					
Connector Style	/27 = Weld Mount					
Finish*	Y = CRES, Passivated N = CRES, Nickel Finish					
Shell Size - Insert Arrangement*	Per MIL-STD-1560					
Contact Type	P = Pin, Solder Cup X = Pin, Eyelet C = Pin, PCB Flex Feedthru		S = Socket, Solder Cup Z = Socket, Eyelet D = Socket, PCB Flex Feedthru			
Alternate Key Position*	A, B, C, D, E, N = Normal					

\*Refer to Section A for complete details

Modification codes may be added directly to the end of any valid part number

D



Mates With	
Plug Part Number	Description
233-105SG6	SuperNine® plug with single integrated band porch
233-105BG6	SuperNine® plug with integrated band porch and boot groove
233-105DG6	SuperNine® plug with double integrated band porch
233-105-G6	SuperNine® plug with accessory attachment threads

## X-ON Electronics

Largest Supplier of Electrical and Electronic Components

*Click to view similar products for [Circular MIL Spec Connector](#) category:*

*Click to view products by [Glenair](#) manufacturer:*

Other Similar products are found below :

[89075GULPR](#) [0025-262-542](#) [0025-264-3014](#) [58-570121-04S](#) [0134-213-1208](#) [0134-213-2209](#) [0025-258-000](#) [60-042022-07P](#) [60-042022-19P](#)  
[60-042022-23P](#) [60-042217-10P](#) [0114-201-1278](#) [012-0467-000](#) [602GB06EG24-61SN](#) [0134-201-1207](#) [0134-213-1006](#) [6104-207-2302](#) [6104-](#)  
[208-1902](#) [61-168211-04P](#) [61-168617-10P](#) [6131-202-19149P](#) [6131-204-21149P](#) [6131-208-13149P](#) [6131-209-17149P](#) [6131-210-11149P](#) [6131-](#)  
[211-19149P](#) [6131-216-19149P](#) [6131-259-21149P](#) [6131-259-23149P](#) [6131-265-17149P](#) [6131-265-19149P](#) [CS3100A18-1P-472](#) [CS3100A-36-](#)  
[77P](#) [CS3101A-16-55P](#) [CS3102A-10SL-55P](#) [CS3102A-14S-58P](#) [CS3102A-32-17P](#) [CS3102A32-25S](#) [CS3102C18-4P-472](#)  
[CS3106A10SL3S004](#) [CS3106A-18-73S](#) [CS3108A-14S-52S](#) [CS3108A-28-51S](#) [6162-233-1277](#) [6162-324-1231](#) [M243082296Z](#)  
[M2884010AC1S1](#) [CT0-24-10SC](#) [CT0M20-7PCAU](#) [M28840/17AC1G3](#)