

## EPIC® ULTRA H-B 6 TG LB

Housing H-B ULTRA: for higher functional reliability  
Optimum, low-resistance 360° screening  
All-purpose due to high corrosion resistance and high environmental protection.  
Space-saving due to compact dimensions  
Faster than any other comparable system  
High mechanical resistance



Good chemical resistance



Wide clamping range



Corrosion-resistant



Assembly time



Optimum strain relief



Space requirement



Robust



Integrated SKINTOP® cable gland



Connector with standard housing unit



Interference signals



Waterproof

### Info

EMC protection  
Corrosion-resistant  
SKINTOP® integrated cable gland

### Application range

In EMC-sensitive environments  
For fixed and flexible applications (e.g. machinery building, wind turbines)  
Construction machinery  
Electric motor manufacturing

### Product features

Housings with the BRUSH addition come with BRUSH cable screen contacting  
Pluggable with standard housings  
Corrosion-resistant according to DIN EN 6988  
Resistance to cyclic salt spray is tested according to IEC 68-2-52, severity level 2  
Salt spray testing according to DIN EN ISO 9227, method NSS, period of test 480 hours



**EPIC® ULTRA H-B 6 TG LB****Technical Data**

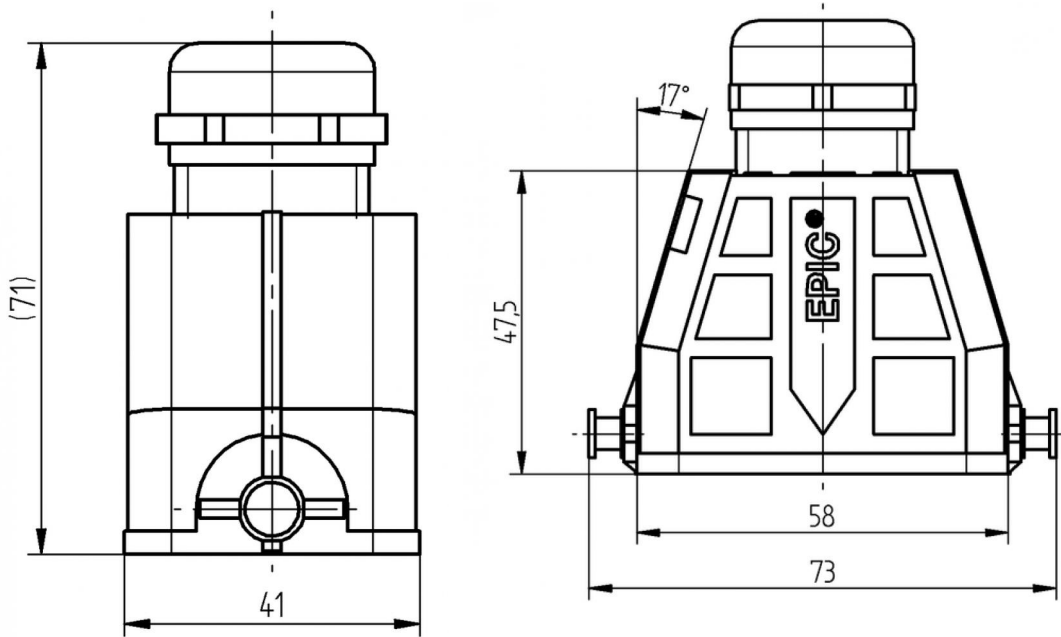
Material:	Housing: nickel-plated zinc die-casting Lever and bolts: stainless steel Sealing: NBR Cable gland Body: nickel-plated brass Insert: PA Seal: special elastomer
Protection rating:	IP 65
Temperature range:	-40°C to +100°C

**Note**

Photographs are not to scale and do not represent detailed images of the respective products.

Part number	Article description	Clamping range in mm	Minimum Ø above braiding (mm)
H-B housing: hood (straight cable entry, bolts for single lever)			
70250200	ULTRA H-B 6 TG-LB 6-13	6 - 13	
70250201	ULTRA H-B 6 TG-LB 9-17	9 - 17	
70250202	ULTRA H-B 6 TG-LB 9-17 BRUSH	9 - 17	6

**EPIC® ULTRA H-B 6 TG LB**



## X-ON Electronics

Largest Supplier of Electrical and Electronic Components

*Click to view similar products for [Standard Circular Connector](#) category:*

*Click to view products by [Lapp Kabel](#) manufacturer:*

Other Similar products are found below :

[C015 10F006 001 1](#) [5M2530B10P](#) [600247N007](#) [600259N006](#) [600273N007](#) [600432N009](#) [6280-2PG-519](#) [6280-3PG-311](#) [6280-3SG-311](#)  
[6280-7SG-3DC](#) [6280-7SG-522](#) [6282-5PG-311](#) [6282-6PG-519](#) [6282-8SG-311](#) [6283-11](#) [6283-15](#) [6290](#) [6293](#) [6382-2PG-311](#) [6382-2PG-3DC](#)  
[6382-2SG-321](#) [6382-2SG-3DC](#) [6382-4SG-516](#) [67-03E20-37P](#) [681-PMG](#) [CXS3102A14S2P](#) [CXS3102A181S](#) [CXS3106A14S6S](#)  
[D38999/20FC8SA L/C](#) [MB12P-1](#) [MB12R-6](#) [7251-2PG-300](#) [7251-2SG-300](#) [7251-4PG-300](#) [7251-4SG-300](#) [7251-5PG-300](#) [7251-5SG-300](#)  
[7251-6SG-300](#) [7251-7PG-300](#) [7251-8PG-300](#) [7271-6SG-300](#) [7282-3PG-300-CH3](#) [73000005663](#) [75-190011-03P](#) [75-190216-08S](#) [75-190218-](#)  
[10P](#) [75-214636-52P](#) [75-474118-10P](#) [75-474211-03P](#) [75-474218-19S](#)